

1 Introduction

The ST7715 is a single-chip controller/driver for 262K-color, graphic type TFT-LCD. It consists of 396 source line and 132 gate line driving circuits. This chip is capable of connecting directly to an external microprocessor, and accepts Serial Peripheral Interface (SPI), 8-bit/9-bit/16-bit/18-bit parallel interface. Display data can be stored in the on-chip display data RAM of 132 x 132 x 18 bits. It can perform display data RAM read/write operation with no external operation clock to minimize power consumption. In addition, because of the integrated power supply circuits necessary to drive liquid crystal, it is possible to make a display system with fewer components.

2 Features

Single chip TFT-LCD Controller/Driver with RAM On-chip Display Data RAM (i.e. Frame Memory)

- 132 (H) x RGB x 132 (V) bits

LCD Driver Output Circuits:

- Source Outputs: 132 RGB channels
- Gate Outputs: 132 channels

Display Resolution

- 132 (RGB) x 132 (GM[2:0]= "001", DDRAM: 132 x 18-bits x 132)

Display Colors (Color Mode)

- Full Color: 262K, RGB=(666) max., Idle Mode OFF
- Color Reduce: 8-color, RGB=(111), Idle Mode ON

Programmable Pixel Color Format (Color Depth) for Various Display Data input Format

- 12-bit/pixel: RGB=(444) using the 384k-bit frame memory and LUT
- 16-bit/pixel: RGB=(565) using the 384k-bit frame memory and LUT
- 18-bit/pixel: RGB=(666) using the 384k-bit frame memory and LUT

Various Interfaces

- Parallel 8080-series MCU Interface (8-bit, 9-bit, 16-bit & 18-bit)
- 3-line serial interface
- 4-line serial interface

Display Features

- Programmable partial display duty
- Line inversion, frame inversion
- Support both normal-black & normal-white LC
- Software programmable color depth mode

Built-in Circuits

- DC/DC converter
- Adjustable VCOM
- Non-volatile (NV) memory to store initial register setting
- Oscillator for display clock generation
- Factory default value (module ID, module version, etc) are stored in NV memory
- Timing controller

Built-in NV Memory for LCD Initial Register Setting

- 7-bits for ID2
- 8-bits for ID3
- 7-bits for VCOM adjustment

Wide Supply Voltage Range

- I/O Voltage (VDDI to DGND): 1.65V~VDD (VDDI ≤ VDD)
- Analog Voltage (VDD to AGND): 2.6V~3.3V

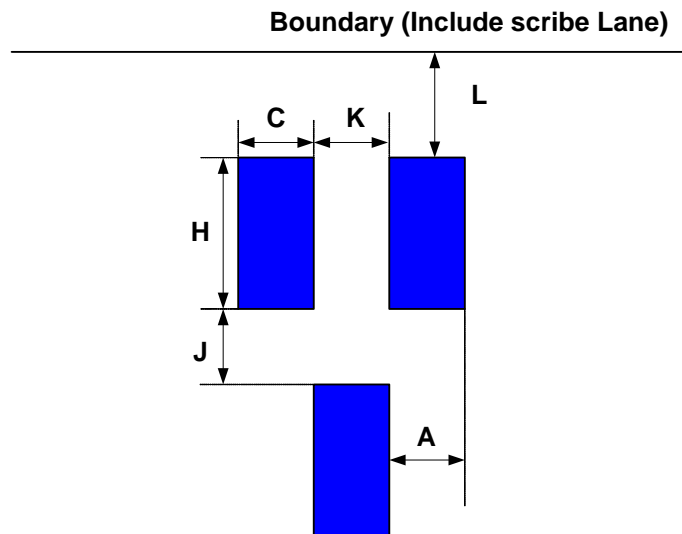
On-Chip Power System

- Source Voltage (GVDD to AGND): 3.0V~5.0V
- VCOM HIGH level (VCOMH to AGND): 2.5V to 5.0V
- VCOM LOW level (VCOML to AGND): -2.4V to 0.0V
- Gate driver HIGH level (VGH to AGND): +10.0V to 15V
- Gate driver LOW level (VGL to AGND): -12.4V to -7.5V

Operating Temperature: -30°C to +85°C

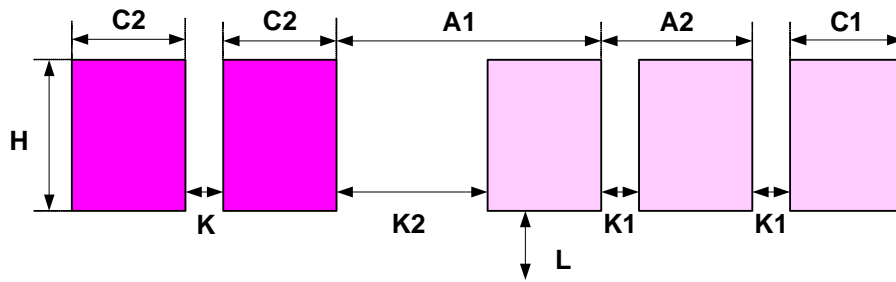
3 Pad arrangement

3.1 Output Bump Dimension



Item	Symbol	Size
Bump pitch	A	16 um
Bump width	C	16 um
Bump height	H	98 um
Bump gap1 (Vertical)	J	19 um
Bump gap2 (Horizontal)	K	16 um
Bump area	C x H	1568 um ²
Chip Boundary (include scribe Lane)	L	59 um

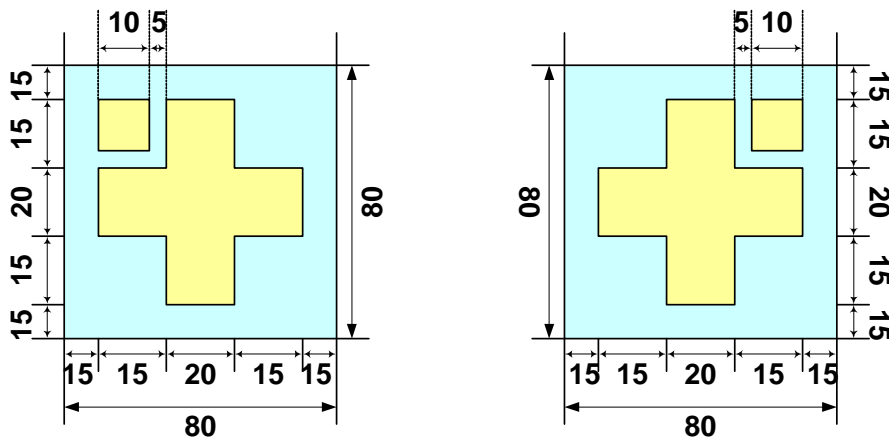
3.2 Input Bump Dimension



Boundary (Include scribe Lane)

Item	Symbol	Size
Bump pitch 1	A1	67 um
Bump pitch 2	A2	50 um
Bump width 1	C1	35 um
Bump width 2	C2	40 um
Bump height	H	90 um
Bump gap	K	20 um
Bump gap1	K1	15 um
Bump gap2	K2	32 um
Bump area 1	C1 X H	3150 um ²
Bump area 2	C2 X H	3690 um ²
Chip Boundary(include scribe Lane)	L	59 um

3.3 Alignment Mark Dimension



3.4 Chip Information

Chip size (um x um): 9900 x 670
PAD coordinate: pad center
Coordinate origin: chip center
Chip thickness (um): 300 (TYP)
Bump height (um): 15 (TYP)
Bump hardness (HV): 75 (TYP)

4 Pad Center Coordinates

No.	PAD Name	X	Y
1	DUMMY	-4750	-231
2	VDDIO	-4700	-231
3	EXTC	-4650	-231
4	DGND0	-4600	-231
5	IM0	-4550	-231
6	VDDIO	-4500	-231
7	IM1	-4450	-231
8	DGND0	-4400	-231
9	DUMMY	-4350	-231
10	VDDIO	-4300	-231
11	TPII[1]	-4250	-231
12	DGND0	-4200	-231
13	TPII[2]	-4150	-231
14	VDDIO	-4100	-231
15	SRGB	-4050	-231
16	DGND0	-4000	-231
17	SMX	-3950	-231
18	VDDIO	-3900	-231
19	SMY	-3850	-231
20	DGND0	-3800	-231
21	DUMMY	-3750	-231
22	VDDIO	-3700	-231
23	DUMMY	-3650	-231
24	DGND0	-3600	-231
25	DUMMY	-3550	-231
26	VDDIO	-3500	-231
27	DUMMY	-3450	-231
28	DGND0	-3400	-231
29	DUMMY	-3350	-231
30	VDDIO	-3300	-231
31	LCM	-3250	-231
32	DGND0	-3200	-231
33	DUMMY	-3150	-231
34	VDDIO	-3100	-231
35	GM2	-3050	-231
36	DGND0	-3000	-231
37	GM1	-2950	-231
38	VDDIO	-2900	-231
39	GM0	-2850	-231
40	DGND0	-2800	-231
41	DUMMY	-2750	-231
42	GS	-2700	-231
43	SPI4W	-2650	-231
44	VDDIO	-2600	-231
45	TPO[8]	-2550	-231
46	TPO[7]	-2500	-231
47	TPO[6]	-2450	-231
48	TPO[5]	-2400	-231
49	TPO[4]	-2350	-231
50	OSC	-2300	-231

No.	PAD Name	X	Y
51	VDD	-2250	-231
52	VDD	-2200	-231
53	VDD	-2150	-231
54	VDD	-2100	-231
55	VDD	-2050	-231
56	VDD	-2000	-231
57	AGND	-1950	-231
58	AGND	-1900	-231
59	AGND	-1850	-231
60	AGND	-1800	-231
61	AGND	-1750	-231
62	AGND	-1700	-231
63	RDX	-1630	-231
64	D/CX	-1570	-231
65	TESEL	-1510	-231
66	DGND0	-1450	-231
67	D17	-1390	-231
68	D16	-1330	-231
69	D15	-1270	-231
70	D14	-1210	-231
71	D13	-1150	-231
72	D12	-1090	-231
73	D11	-1030	-231
74	D10	-970	-231
75	D9	-910	-231
76	D8	-850	-231
77	D1	-790	-231
78	D3	-730	-231
79	D5	-670	-231
80	D7	-610	-231
81	TE	-550	-231
82	RESX	-490	-231
83	CSX	-430	-231
84	D6	-370	-231
85	D4	-310	-231
86	D2	-250	-231
87	IM2	-190	-231
88	D0	-130	-231
89	WRX	-70	-231
90	DUMMY	0	-231
91	DUMMY	50	-231
92	DUMMY	100	-231
93	DUMMY	150	-231
94	TPO[3]	200	-231
95	TPO[2]	250	-231
96	TPO[1]	300	-231
97	DGND	350	-231
98	DGND	400	-231
99	DGND	450	-231
100	DGND	500	-231

No.	PAD Name	X	Y
101	DGND	550	-231
102	DGND	600	-231
103	VDDI	650	-231
104	VDDI	700	-231
105	VDDI	750	-231
106	VDDI	800	-231
107	VDDI	850	-231
108	VDDI	900	-231
109	VCC	950	-231
110	VCC	1000	-231
111	VCCO	1050	-231
112	VCI1	1100	-231
113	VCI1	1150	-231
114	VCI1	1200	-231
115	VREF	1250	-231
116	VREF	1300	-231
117	VREF	1350	-231
118	DUMMY	1400	-231
119	DUMMY	1450	-231
120	AVDD	1500	-231
121	AVDD	1550	-231
122	AVDD	1600	-231
123	AVDDO	1650	-231
124	AVDDO	1700	-231
125	GVDD	1750	-231
126	GVDD	1800	-231
127	GVDD	1850	-231
128	DUMMY	1900	-231
129	DUMMY	1950	-231
130	C11P	2000	-231
131	C11P	2050	-231
132	C11P	2100	-231
133	C11P	2150	-231
134	C11N	2200	-231
135	C11N	2250	-231
136	C11N	2300	-231
137	C11N	2350	-231
138	C12P	2400	-231
139	C12P	2450	-231
140	C12P	2500	-231
141	C12P	2550	-231
142	C12N	2600	-231
143	C12N	2650	-231
144	C12N	2700	-231
145	C12N	2750	-231
146	AGND	2800	-231
147	AGND	2850	-231
148	AGND	2900	-231
149	VCL	2950	-231
150	VCL	3000	-231

No.	PAD Name	X	Y
151	VCL	3050	-231
152	C41P	3100	-231
153	C41P	3150	-231
154	C41P	3200	-231
155	C41N	3250	-231
156	C41N	3300	-231
157	C41N	3350	-231
158	C22P	3400	-231
159	C22P	3450	-231
160	C22P	3500	-231
161	C22N	3550	-231
162	C22N	3600	-231
163	C22N	3650	-231
164	C23P	3700	-231
165	C23P	3750	-231
166	C23P	3800	-231
167	C23N	3850	-231
168	C23N	3900	-231
169	C23N	3950	-231
170	VGL	4000	-231
171	VGL	4050	-231
172	VGL	4100	-231
173	VGH	4150	-231
174	VGH	4200	-231
175	VGHO	4250	-231
176	VCOMH	4300	-231
177	VCOMH	4350	-231
178	VCOMH	4400	-231
179	VCOML	4450	-231
180	VCOML	4500	-231
181	VCOML	4550	-231
182	VCOM	4600	-231
183	VCOM	4650	-231
184	VCOM	4700	-231
185	DUMMY2	4750	-231
186	DUMMY3	4772	110
187	DUMMY4	4756	227
188	DUMMYG	4740	110
189	DUMMYG	4724	227
190	DUMMYG	4708	110
191	DUMMYG	4692	227
192	DUMMYG	4676	110
193	DUMMYG	4660	227
194	DUMMYG	4644	110
195	DUMMYG	4628	227
196	DUMMYG	4612	110
197	DUMMYG	4596	227
198	DUMMYG	4580	110
199	DUMMYG	4564	227
200	DUMMYG	4548	110

No.	PAD Name	X	Y
201	DUMMYG	4532	227
202	DUMMYG	4516	110
203	G132	4500	227
204	G130	4484	110
205	G128	4468	227
206	G126	4452	110
207	G124	4436	227
208	G122	4420	110
209	G120	4404	227
210	G118	4388	110
211	G116	4372	227
212	G114	4356	110
213	G112	4340	227
214	G110	4324	110
215	G108	4308	227
216	G106	4292	110
217	G104	4276	227
218	G102	4260	110
219	G100	4244	227
220	G98	4228	110
221	G96	4212	227
222	G94	4196	110
223	G92	4180	227
224	G90	4164	110
225	G88	4148	227
226	G86	4132	110
227	G84	4116	227
228	G82	4100	110
229	G80	4084	227
230	G78	4068	110
231	G76	4052	227
232	G74	4036	110
233	G72	4020	227
234	G70	4004	110
235	G68	3988	227
236	G66	3972	110
237	G64	3956	227
238	G62	3940	110
239	G60	3924	227
240	G58	3908	110
241	G56	3892	227
242	G54	3876	110
243	G52	3860	227
244	G50	3844	110
245	G48	3828	227
246	G46	3812	110
247	G44	3796	227
248	G42	3780	110
249	G40	3764	227
250	G38	3748	110

No.	PAD Name	X	Y
251	G36	3732	227
252	G34	3716	110
253	G32	3700	227
254	G30	3684	110
255	G28	3668	227
256	G26	3652	110
257	G24	3636	227
258	G22	3620	110
259	G20	3604	227
260	G18	3588	110
261	G16	3572	227
262	G14	3556	110
263	G12	3540	227
264	G10	3524	110
265	G8	3508	227
266	G6	3492	110
267	G4	3476	227
268	G2	3460	110
269	DUMMY	3444	227
270	DUMMY	3428	110
271	DUMMY	3412	227
272	DUMMY	3396	110
273	S396	3380	227
274	S395	3364	110
275	S394	3348	227
276	S393	3332	110
277	S392	3316	227
278	S391	3300	110
279	S390	3284	227
280	S389	3268	110
281	S388	3252	227
282	S387	3236	110
283	S386	3220	227
284	S385	3204	110
285	S384	3188	227
286	S383	3172	110
287	S382	3156	227
288	S381	3140	110
289	S380	3124	227
290	S379	3108	110
291	S378	3092	227
292	S377	3076	110
293	S376	3060	227
294	S375	3044	110
295	S374	3028	227
296	S373	3012	110
297	S372	2996	227
298	S371	2980	110
299	S370	2964	227
300	S369	2948	110

ST7715

No.	PAD Name	X	Y
301	S368	2932	227
302	S367	2916	110
303	S366	2900	227
304	S365	2884	110
305	S364	2868	227
306	S363	2852	110
307	S362	2836	227
308	S361	2820	110
309	S360	2804	227
310	S359	2788	110
311	S358	2772	227
312	S357	2756	110
313	S356	2740	227
314	S355	2724	110
315	S354	2708	227
316	S353	2692	110
317	S352	2676	227
318	S351	2660	110
319	S350	2644	227
320	S349	2628	110
321	S348	2612	227
322	S347	2596	110
323	S346	2580	227
324	S345	2564	110
325	S344	2548	227
326	S343	2532	110
327	S342	2516	227
328	S341	2500	110
329	S340	2484	227
330	S339	2468	110
331	S338	2452	227
332	S337	2436	110
333	S336	2420	227
334	S335	2404	110
335	S334	2388	227
336	S333	2372	110
337	S332	2356	227
338	S331	2340	110
339	S330	2324	227
340	S329	2308	110
341	S328	2292	227
342	S327	2276	110
343	S326	2260	227
344	S325	2244	110
345	S324	2228	227
346	S323	2212	110
347	S322	2196	227
348	S321	2180	110
349	S320	2164	227
350	S319	2148	110

No.	PAD Name	X	Y
351	S318	2132	227
352	S317	2116	110
353	S316	2100	227
354	S315	2084	110
355	S314	2068	227
356	S313	2052	110
357	S312	2036	227
358	S311	2020	110
359	S310	2004	227
360	S309	1988	110
361	S308	1972	227
362	S307	1956	110
363	S306	1940	227
364	S305	1924	110
365	S304	1908	227
366	S303	1892	110
367	S302	1876	227
368	S301	1860	110
369	S300	1844	227
370	S299	1828	110
371	S298	1812	227
372	S297	1796	110
373	S296	1780	227
374	S295	1764	110
375	S294	1748	227
376	S293	1732	110
377	S292	1716	227
378	S291	1700	110
379	S290	1684	227
380	S289	1668	110
381	S288	1652	227
382	S287	1636	110
383	S286	1620	227
384	S285	1604	110
385	S284	1588	227
386	S283	1572	110
387	S282	1556	227
388	S281	1540	110
389	S280	1524	227
390	S279	1508	110
391	S278	1492	227
392	S277	1476	110
393	S276	1460	227
394	S275	1444	110
395	S274	1428	227
396	S273	1412	110
397	S272	1396	227
398	S271	1380	110
399	S270	1364	227
400	S269	1348	110

No.	PAD Name	X	Y
401	S268	1332	227
402	S267	1316	110
403	S266	1300	227
404	S265	1284	110
405	S264	1268	227
406	S263	1252	110
407	S262	1236	227
408	S261	1220	110
409	S260	1204	227
410	S259	1188	110
411	S258	1172	227
412	S257	1156	110
413	S256	1140	227
414	S255	1124	110
415	S254	1108	227
416	S253	1092	110
417	S252	1076	227
418	S251	1060	110
419	S250	1044	227
420	S249	1028	110
421	S248	1012	227
422	S247	996	110
423	S246	980	227
424	S245	964	110
425	S244	948	227
426	S243	932	110
427	S242	916	227
428	S241	900	110
429	S240	884	227
430	S239	868	110
431	S238	852	227
432	S237	836	110
433	S236	820	227
434	S235	804	110
435	S234	788	227
436	S233	772	110
437	S232	756	227
438	S231	740	110
439	S230	724	227
440	S229	708	110
441	S228	692	227
442	S227	676	110
443	S226	660	227
444	S225	644	110
445	S224	628	227
446	S223	612	110
447	S222	596	227
448	S221	580	110
449	S220	564	227
450	S219	548	110

ST7715

No.	PAD Name	X	Y
451	S218	532	227
452	S217	516	110
453	S216	500	227
454	S215	484	110
455	S214	468	227
456	S213	452	110
457	S212	436	227
458	S211	420	110
459	S210	404	227
460	S209	388	110
461	S208	372	227
462	S207	356	110
463	S206	340	227
464	S205	324	110
465	S204	308	227
466	S203	292	110
467	S202	276	227
468	S201	260	110
469	S200	244	227
470	S199	228	110
471	DUMMY	212	227
472	DUMMY	196	110
473	DUMMY	-196	110
474	DUMMY	-212	227
475	S198	-228	110
476	S197	-244	227
477	S196	-260	110
478	S195	-276	227
479	S194	-292	110
480	S193	-308	227
481	S192	-324	110
482	S191	-340	227
483	S190	-356	110
484	S189	-372	227
485	S188	-388	110
486	S187	-404	227
487	S186	-420	110
488	S185	-436	227
489	S184	-452	110
490	S183	-468	227
491	S182	-484	110
492	S181	-500	227
493	S180	-516	110
494	S179	-532	227
495	S178	-548	110
496	S177	-564	227
497	S176	-580	110
498	S175	-596	227
499	S174	-612	110
500	S173	-628	227

No.	PAD Name	X	Y
501	S172	-644	110
502	S171	-660	227
503	S170	-676	110
504	S169	-692	227
505	S168	-708	110
506	S167	-724	227
507	S166	-740	110
508	S165	-756	227
509	S164	-772	110
510	S163	-788	227
511	S162	-804	110
512	S161	-820	227
513	S160	-836	110
514	S159	-852	227
515	S158	-868	110
516	S157	-884	227
517	S156	-900	110
518	S155	-916	227
519	S154	-932	110
520	S153	-948	227
521	S152	-964	110
522	S151	-980	227
523	S150	-996	110
524	S149	-1012	227
525	S148	-1028	110
526	S147	-1044	227
527	S146	-1060	110
528	S145	-1076	227
529	S144	-1092	110
530	S143	-1108	227
531	S142	-1124	110
532	S141	-1140	227
533	S140	-1156	110
534	S139	-1172	227
535	S138	-1188	110
536	S137	-1204	227
537	S136	-1220	110
538	S135	-1236	227
539	S134	-1252	110
540	S133	-1268	227
541	S132	-1284	110
542	S131	-1300	227
543	S130	-1316	110
544	S129	-1332	227
545	S128	-1348	110
546	S127	-1364	227
547	S126	-1380	110
548	S125	-1396	227
549	S124	-1412	110
550	S123	-1428	227

No.	PAD Name	X	Y
551	S122	-1444	110
552	S121	-1460	227
553	S120	-1476	110
554	S119	-1492	227
555	S118	-1508	110
556	S117	-1524	227
557	S116	-1540	110
558	S115	-1556	227
559	S114	-1572	110
560	S113	-1588	227
561	S112	-1604	110
562	S111	-1620	227
563	S110	-1636	110
564	S109	-1652	227
565	S108	-1668	110
566	S107	-1684	227
567	S106	-1700	110
568	S105	-1716	227
569	S104	-1732	110
570	S103	-1748	227
571	S102	-1764	110
572	S101	-1780	227
573	S100	-1796	110
574	S99	-1812	227
575	S98	-1828	110
576	S97	-1844	227
577	S96	-1860	110
578	S95	-1876	227
579	S94	-1892	110
580	S93	-1908	227
581	S92	-1924	110
582	S91	-1940	227
583	S90	-1956	110
584	S89	-1972	227
585	S88	-1988	110
586	S87	-2004	227
587	S86	-2020	110
588	S85	-2036	227
589	S84	-2052	110
590	S83	-2068	227
591	S82	-2084	110
592	S81	-2100	227
593	S80	-2116	110
594	S79	-2132	227
595	S78	-2148	110
596	S77	-2164	227
597	S76	-2180	110
598	S75	-2196	227
599	S74	-2212	110
600	S73	-2228	227

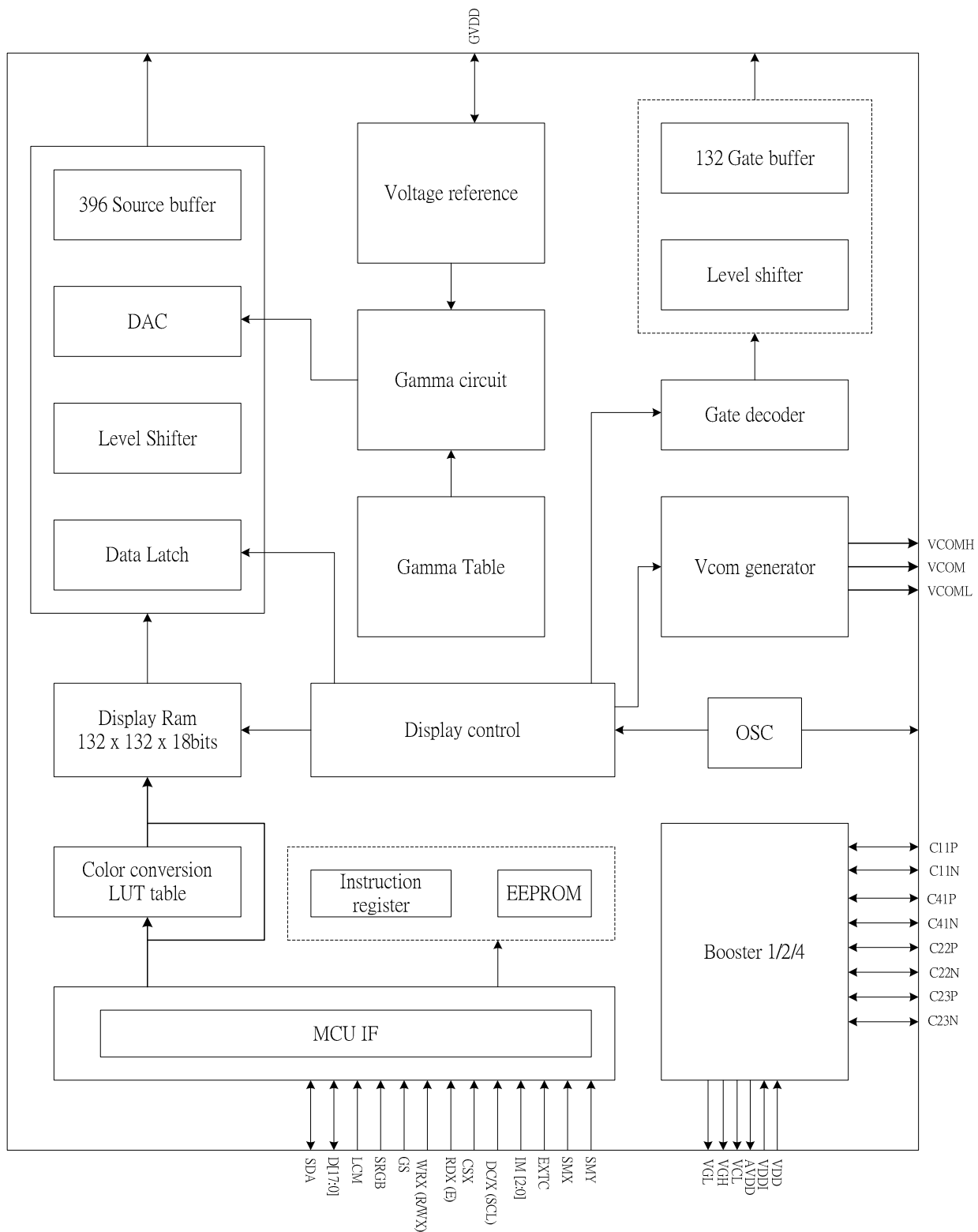
ST7715

No.	PAD Name	X	Y
601	S72	-2244	110
602	S71	-2260	227
603	S70	-2276	110
604	S69	-2292	227
605	S68	-2308	110
606	S67	-2324	227
607	S66	-2340	110
608	S65	-2356	227
609	S64	-2372	110
610	S63	-2388	227
611	S62	-2404	110
612	S61	-2420	227
613	S60	-2436	110
614	S59	-2452	227
615	S58	-2468	110
616	S57	-2484	227
617	S56	-2500	110
618	S55	-2516	227
619	S54	-2532	110
620	S53	-2548	227
621	S52	-2564	110
622	S51	-2580	227
623	S50	-2596	110
624	S49	-2612	227
625	S48	-2628	110
626	S47	-2644	227
627	S46	-2660	110
628	S45	-2676	227
629	S44	-2692	110
630	S43	-2708	227
631	S42	-2724	110
632	S41	-2740	227
633	S40	-2756	110
634	S39	-2772	227
635	S38	-2788	110
636	S37	-2804	227
637	S36	-2820	110
638	S35	-2836	227
639	S34	-2852	110
640	S33	-2868	227
641	S32	-2884	110
642	S31	-2900	227
643	S30	-2916	110
644	S29	-2932	227
645	S28	-2948	110
646	S27	-2964	227
647	S26	-2980	110
648	S25	-2996	227
649	S24	-3012	110
650	S23	-3028	227

No.	PAD Name	X	Y
651	S22	-3044	110
652	S21	-3060	227
653	S20	-3076	110
654	S19	-3092	227
655	S18	-3108	110
656	S17	-3124	227
657	S16	-3140	110
658	S15	-3156	227
659	S14	-3172	110
660	S13	-3188	227
661	S12	-3204	110
662	S11	-3220	227
663	S10	-3236	110
664	S9	-3252	227
665	S8	-3268	110
666	S7	-3284	227
667	S6	-3300	110
668	S5	-3316	227
669	S4	-3332	110
670	S3	-3348	227
671	S2	-3364	110
672	S1	-3380	227
673	DUMMY	-3396	110
674	DUMMY	-3412	227
675	DUMMY	-3428	110
676	DUMMY	-3444	227
677	G1	-3460	110
678	G3	-3476	227
679	G5	-3492	110
680	G7	-3508	227
681	G9	-3524	110
682	G11	-3540	227
683	G13	-3556	110
684	G15	-3572	227
685	G17	-3588	110
686	G19	-3604	227
687	G21	-3620	110
688	G23	-3636	227
689	G25	-3652	110
690	G27	-3668	227
691	G29	-3684	110
692	G31	-3700	227
693	G33	-3716	110
694	G35	-3732	227
695	G37	-3748	110
696	G39	-3764	227
697	G41	-3780	110
698	G43	-3796	227
699	G45	-3812	110
700	G47	-3828	227

No.	PAD Name	X	Y
701	G49	-3844	110
702	G51	-3860	227
703	G53	-3876	110
704	G55	-3892	227
705	G57	-3908	110
706	G59	-3924	227
707	G61	-3940	110
708	G63	-3956	227
709	G65	-3972	110
710	G67	-3988	227
711	G69	-4004	110
712	G71	-4020	227
713	G73	-4036	110
714	G75	-4052	227
715	G77	-4068	110
716	G79	-4084	227
717	G81	-4100	110
718	G83	-4116	227
719	G85	-4132	110
720	G87	-4148	227
721	G89	-4164	110
722	G91	-4180	227
723	G93	-4196	110
724	G95	-4212	227
725	G97	-4228	110
726	G99	-4244	227
727	G101	-4260	110
728	G103	-4276	227
729	G105	-4292	110
730	G107	-4308	227
731	G109	-4324	110
732	G111	-4340	227
733	G113	-4356	110
734	G115	-4372	227
735	G117	-4388	110
736	G119	-4404	227
737	G121	-4420	110
738	G123	-4436	227
739	G125	-4452	110
740	G127	-4468	227
741	G129	-4484	110
742	G131	-4500	227
743	DUMMYG	-4516	110
744	DUMMYG	-4532	227
745	DUMMYG	-4548	110
746	DUMMYG	-4564	227
747	DUMMYG	-4580	110
748	DUMMYG	-4596	227
749	DUMMYG	-4612	110
750	DUMMYG	-4628	227

5 Block diagram



6 Driver IC Pin Description

6.1 Power Supply Pin

Name	I/O	Description	Connect pin
VDD	I	Power supply for analog, digital system and booster circuit.	VDD
VDDI	I	Power supply for I/O system.	VDDI
AGND	I	System ground for analog system and booster circuit.	GND
DGND	I	System ground for I/O system and digital system.	GND

6.2 Interface logic pin

Name	I/O	Description	Connect pin															
IM2	I	MCU Parallel interface bus and Serial interface select IM2='1', Parallel interface IM2='0', Serial interface	DGND/VDDI															
IM1,IM0	I	- MCU parallel interface type selection -If not used, please fix this pin at VDDI or DGND level. <table border="1" style="margin: 5px 0;"> <thead> <tr> <th>IM1</th> <th>IM0</th> <th>Parallel interface</th> </tr> </thead> <tbody> <tr> <td>0</td> <td>0</td> <td>MCU 8-bit parallel</td> </tr> <tr> <td>0</td> <td>1</td> <td>MCU 16-bit parallel</td> </tr> <tr> <td>1</td> <td>0</td> <td>MCU 9-bit parallel</td> </tr> <tr> <td>1</td> <td>1</td> <td>MCU 18-bit parallel</td> </tr> </tbody> </table>	IM1	IM0	Parallel interface	0	0	MCU 8-bit parallel	0	1	MCU 16-bit parallel	1	0	MCU 9-bit parallel	1	1	MCU 18-bit parallel	DGND/VDDI
IM1	IM0	Parallel interface																
0	0	MCU 8-bit parallel																
0	1	MCU 16-bit parallel																
1	0	MCU 9-bit parallel																
1	1	MCU 18-bit parallel																
SPI4W	I	- SPI4W='0', 3-line SPI enable. - SPI4W='1', 4-line SPI enable. -If not used, please fix this pin at DGND level.	DGND/VDDI															
RESX	I	-This signal will reset the device and it must be applied to properly initialize the chip. -Signal is active low.	MCU															
CSX	I	-Chip selection pin -Low enable.	MCU															
D/CX (SCL)	I	-Display data/command selection pin in MCU interface. -D/CX='1': display data or parameter. -D/CX='0': command data. -In serial interface, this is used as SCL. -If not used, please fix this pin at VDDI or DGND level.	MCU															
RDX	I	-Read enable in 8080 MCU parallel interface. -If not used, please fix this pin at VDDI or DGND level.	MCU															
WRX (D/CX)	I	-Write enable in MCU parallel interface. -In 4-line SPI, this pin is used as D/CX (data/ command selection). -If not used, please fix this pin at VDDI or DGND level.	MCU															
D[17:0]	I/O	-D[17:0] are used as MCU parallel interface data bus.	MCU															

ST7715

		-D0 is the serial input/output signal in serial interface mode. -In serial interface, D[17:1] are not used and should be fixed at VDDI or DGND level.	
TE	O	-Tearing effect output pin to synchronies MCU to frame rate, activated by S/W command. -If not used, please open this pin.	MCU
OSC	O	-Monitoring pin of internal oscillator clock and is turned ON/OFF by S/W command. -When this pin is inactive (function OFF), this pin is DGND level. -If not used, please open this pin.	-

Note1. When in parallel mode, no use data pin must be connected to "1" or "0".

Note2. When CSX="1", there is no influence to the parallel and serial interface.

6.3 Mode selection pin

Name	I/O	Description	Connect pin															
EXTC	I	<p>-To use extended command set, please connect this pin to VDDI.</p> <p>-During normal operation, please open this pin (internal Rpull-down=2MΩ).</p> <table border="1"> <tr> <td>EXTC</td> <td>Enable/disable modification of extend command</td> </tr> <tr> <td>0</td> <td>System function command list can be used.</td> </tr> <tr> <td>1</td> <td>All command list can be used.</td> </tr> </table>	EXTC	Enable/disable modification of extend command	0	System function command list can be used.	1	All command list can be used.	Open									
EXTC	Enable/disable modification of extend command																	
0	System function command list can be used.																	
1	All command list can be used.																	
GM2, GM1, GM0	I	<p>-Panel resolution selection pins.</p> <table border="1"> <tr> <td>G</td> <td>G</td> <td>G</td> <td rowspan="2">Selection of panel resolution</td> </tr> <tr> <td>M</td> <td>M</td> <td>M</td> </tr> <tr> <td>2</td> <td>1</td> <td>0</td> <td></td> </tr> <tr> <td>0</td> <td>0</td> <td>1</td> <td>132RGB x 132 (S1~S396 & G1~G132 output)</td> </tr> </table>	G	G	G	Selection of panel resolution	M	M	M	2	1	0		0	0	1	132RGB x 132 (S1~S396 & G1~G132 output)	VDDI/DGND
G	G	G	Selection of panel resolution															
M	M	M																
2	1	0																
0	0	1	132RGB x 132 (S1~S396 & G1~G132 output)															
SRGB	I	<p>-RGB direction select H/W pin for color filter setting.</p> <table border="1"> <tr> <td>SRGB</td> <td>RGB arrangement</td> </tr> <tr> <td>0</td> <td>S1, S2, S3 filter order = 'R', 'G', 'B'</td> </tr> <tr> <td>1</td> <td>S1, S2, S3 filter order = 'B', 'G', 'R'</td> </tr> </table>	SRGB	RGB arrangement	0	S1, S2, S3 filter order = 'R', 'G', 'B'	1	S1, S2, S3 filter order = 'B', 'G', 'R'	VDDI/DGND									
SRGB	RGB arrangement																	
0	S1, S2, S3 filter order = 'R', 'G', 'B'																	
1	S1, S2, S3 filter order = 'B', 'G', 'R'																	
SMX	I	<p>-Module source output direction H/W selection pin.</p> <table border="1"> <tr> <td>SMX</td> <td>Scanning direction of source output</td> </tr> <tr> <td></td> <td>GM= '001'</td> </tr> <tr> <td>0</td> <td>S1 -> S396</td> </tr> <tr> <td>1</td> <td>S396 -> S1</td> </tr> </table>	SMX	Scanning direction of source output		GM= '001'	0	S1 -> S396	1	S396 -> S1	VDDI/DGND							
SMX	Scanning direction of source output																	
	GM= '001'																	
0	S1 -> S396																	
1	S396 -> S1																	
SMY	I	<p>-Module Gate output direction H/W selection pin.</p> <table border="1"> <tr> <td>SMY</td> <td>Scanning direction of gate output</td> </tr> <tr> <td></td> <td>GM= '001'</td> </tr> <tr> <td>0</td> <td>G1 -> G132</td> </tr> <tr> <td>1</td> <td>G132 -> G1</td> </tr> </table>	SMY	Scanning direction of gate output		GM= '001'	0	G1 -> G132	1	G132 -> G1	VDDI/DGND							
SMY	Scanning direction of gate output																	
	GM= '001'																	
0	G1 -> G132																	
1	G132 -> G1																	
LCM	I	<p>-Liquid crystal (LC) type selection pins.</p> <table border="1"> <tr> <td>LCM</td> <td>Selection of LC type</td> </tr> <tr> <td>0</td> <td>Normally white LC type</td> </tr> <tr> <td>1</td> <td>Normally black LC type</td> </tr> </table>	LCM	Selection of LC type	0	Normally white LC type	1	Normally black LC type	VDDI/DGND									
LCM	Selection of LC type																	
0	Normally white LC type																	
1	Normally black LC type																	

ST7715

GS	I	-Gamma curve selection pin.		VDDI/DGND
		GS	Selection of gamma curve	
		0	GC0=1.0, GC1=2.5, GC2=2.2, GC3=1.8	
		1	GC0=2.2, GC1=1.8, GC2=2.5, GC3=1.0	
TESEL	I	Input pin to select horizontal line number in TE signal. Connect this pin to DGND		DGND

6.4 Driver output pins

Name	I/O	Description	Connect pin
S1 to S396	O	- Source driver output pins.	-
G1 to G132	O	- Gate driver output pins.	-
VCI1	I/O	- Hi-Z	-
AVDD	I	- Power input pin for analog circuits. - In normal usage, connect it to AVDDO.	AVDDO
AVDDO	O	- Output of step-up circuit 1 - Connect a capacitor for stabilization.	Capacitor
VCL	O	- A power supply pin for generating VCOML. - Connect a capacitor for stabilization.	Capacitor
VGH	I	- Power input pin for gate driver circuit. - In normal usage, connect it to VGHO.	VGHO
VGHO	O	- Positive output pin of the step-up circuit 2. - Connect a capacitor for stabilization.	Capacitor
VGL	I	- Power input pin for gate driver circuit. - Negative output of the step-up circuit 2 is connected inside the driver. - Connect a capacitor for stabilization.	Capacitor
VREF	O	- A reference voltage for power system.	-
GVDD	O	- A power output of grayscale voltage generator. - When internal GVDD generator is not used, connect an external power supply (AVDD-0.5V) to this pin.	-
VCOMH	O	- Positive voltage output of VCOM. - Connect a capacitor for stabilization.	Capacitor
VCOML	O	- Negative voltage output of VCOM. - Connect a capacitor for stabilization.	Capacitor
VCOM	O	- A power supply for the TFT-LCD common electrode.	Common electrode
C11P, C11N	O	- Capacitor connecting pins for step-up circuit 1 (for AVDDO)	Step-up Capacitor
C22P, C22N C23P, C23N C41P, C41N	O	- Capacitor connecting pins for step-up circuit 2 and 4 (for VGHO, VGL, VCL)	Step-up Capacitor
VDDIO	O	-VDDI voltage output level for monitoring.	-

ST7715

DGND0	O	-DGND voltage output level for monitoring.	-
VCC	O	-Power input pin for internal digital reference voltage. -In normal usage, connect it to VCCO.	VCCO
VCCO	O	-Monitoring pin of internal digital reference voltage. -Connect a capacitor for stabilization.	Capacitor

6.5 Test pins

Name	I/O	Description	Connect pin
TPI[2] TPI[1]	I	-These test pins for Driver vender test used. -Please connect these pins to DGND.	DGND
TPO[8] TPO[7] TPO[6] TPO[5] TPO[4] TPO[3] TPO[2] TPO[1]	O	-These test pins for Driver vender test used. -Please open these pins.	Open
Dummy	-	-These pins are dummy (have no function inside). -Can allow signal traces pass through these pads on TFT glass.	Open
DummyG		- Vendor function	Open

7 Driver electrical characteristics

7.1 Absolute operation range

Item	Symbol	Rating	Unit
Supply voltage	VDD	-0.3 ~ +4.6	V
Supply voltage (Logic)	VDDI	-0.3 ~ +4.6	V
Supply voltage (Digital)	VCC	-0.3 ~ +1.95	V
Driver supply voltage	VGH-VGL	-0.3 ~ +30.0	V
Logic input voltage range	VIN	0.3 ~ VDDI +0.3	V
Logic output voltage range	VO	0.3 ~ VDDI +0.3	V
Operating temperature range	TOPR	-30 ~ +85	°C
Storage temperature range	TSTG	-40 ~ +125	°C

Note: If one of the above items is exceeded its maximum limitation momentarily, the quality of the product may be degraded. Absolute maximum limitation, therefore, specify the values exceeding which the product may be physically damaged. Be sure to use the product within the recommend range.

7.2 DC characteristic

Parameter	Symbol	Condition	Specification			Unit	Related Pins
			Min	Typ	Max		
Power & operation voltage							
System voltage	VDD	Operating voltage	2.6	2.75	3.3	V	
Interface operation voltage	VDDI	I/O supply voltage	1.65	1.9	3.3	V	
Gate driver high voltage	VGH		10		15	V	
Gate driver low voltage	VGL		-12.4		-7.5	V	
Gate driver supply voltage		VGH-VGL	17.5		27.5	V	
Input / Output							
Logic-high input voltage	VIH		0.7VDDI		VDDI	V	Note 1
Logic-low input voltage	VIL		VSS		0.3VDDI	V	Note 1
Logic-high output voltage	VOH	IOH = -1.0mA	0.8VDDI		VDDI	V	Note 1
Logic-low output voltage	VOL	IOL = +1.0mA	VSS		0.2VDDI	V	Note 1
Logic-high input current	I _{IH}	VIN = VDDI			1	uA	Note 1

ST7715

Logic-low input current	IIL	VIN = VSS	-1			uA	Note 1
Input leakage current	IIL	IOH = -1.0mA	-0.1		+0.1	uA	Note 1
VCOM voltage							
VCOM high voltage	VCOMH	Ccom=12nF	2.5		5.0	V	
VCOM low voltage	VCOML	Ccom=12nF	-2.4		0.0	V	
VCOM amplitude	VCOMAC	VCOMH-VCOML	4.0		6.0	V	
Source driver							
Source output range	Vsout		0.1		AVDD-0.1	V	
Gamma reference voltage	GVDD		3.0		5.0	V	
Source output settling time	Tr	Below with 99% precision			20	us	Note 2
Output offset voltage	Voffset				35	mV	Note 3

Notes:

1. VDDI=1.65 to 3.3V, VDD=2.6 to 3.3V, AGND=DGND=0V, TA= -30 to 85°C
2. Source channel loading= 2K.Ω+12pF/channel, Gate channel loading=5K.Ω+40pF/channel.
3. The Max. value is between measured point of source output and gamma setting value.

7.3 Power consumption

VDD=2.8V, VDDI=1.8V, Ta=25°C, Frame rate = 60Hz, the registers setting are IC default setting.

Operation mode	Inversion mode	Image	Current consumption			
			Typical		Maximum	
			IDDI (mA)	IDD (mA)	IDDI (mA)	IDD (mA)
Normal mode	One Line	Note 1	0.01	0.5	0.02	0.7
		Note 2	0.01	0.5	0.02	0.7
Partial + Idle mode (40 lines)	One Line	Note 1	0.01	0.3	0.02	0.5
		Note 2	0.01	0.3	0.02	0.5
Sleep-in mode	N/A	N/A	0.005	0.015	0.01	0.03

Notes:

1. All pixels black.
2. All pixels white.
3. The Current Consumption is DC characteristics. .

8 Timing chart

8.1 Parallel interface characteristics: 18, 16, 9 or 8-bit bus (8080 series MCU interface)

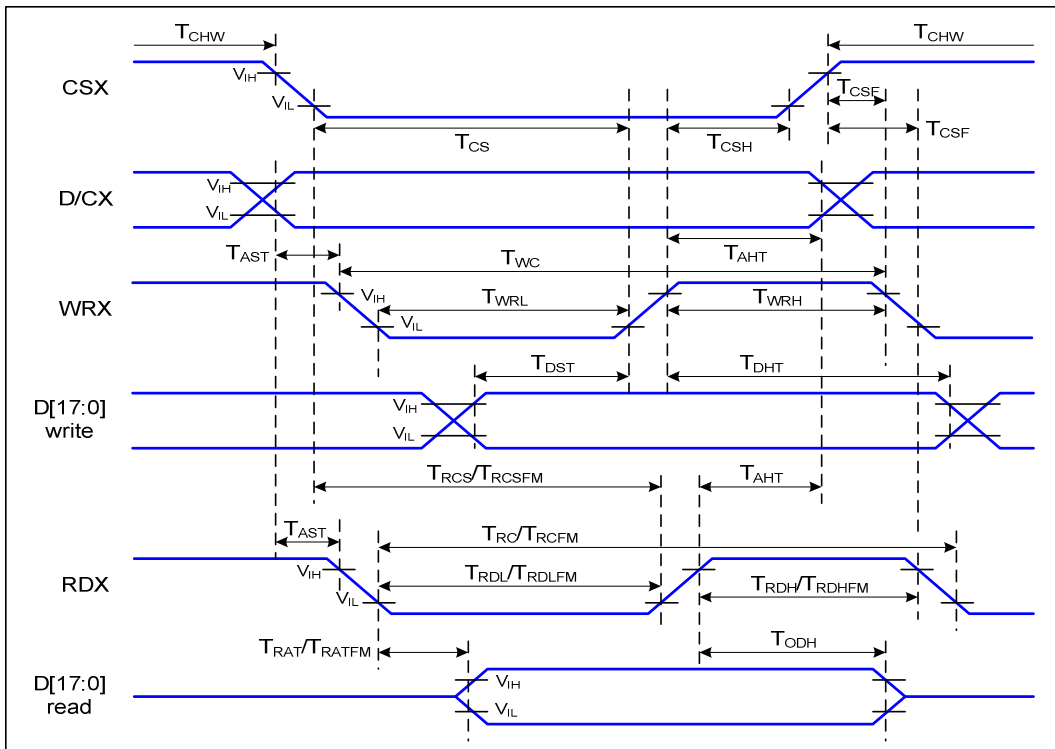


Fig. 8.1.1 Parallel interface timing characteristics (8080 series MCU interface)

Signal	Symbol	Parameter	Min	Max	Unit	Description
D/CX	TAST	Address setup time	10		ns	-
	TAHT	Address hold time (Write/Read)	10		ns	
CSX	TCHW	Chip select "H" pulse width	0		ns	-
	TCS	Chip select setup time (Write)	15		ns	
	TRCS	Chip select setup time (Read ID)	45		ns	
	TRCSFM	Chip select setup time (Read FM)	350		ns	
	TCSF	Chip select wait time (Write/Read)	10		ns	
	TCSH	Chip select hold time	10		ns	
WRX	TWC	Write cycle	100		ns	-
	TWRH	Control pulse "H" duration	30		ns	
	TWRL	Control pulse "L" duration	30		ns	
RDX (ID)	TRC	Read cycle (ID)	160		ns	When read ID data
	TRDH	Control pulse "H" duration (ID)	90		ns	
	TRDL	Control pulse "L" duration (ID)	45		ns	
RDX (FM)	TRCFM	Read cycle (FM)	450		ns	When read from frame memory
	TRDHF	Control pulse "H" duration (FM)	150		ns	
	TRDLF	Control pulse "L" duration (FM)	150		ns	

D[17:0]	TDST	Data setup time	10		ns	For CL=30pF
	TDHT	Data hold time	10		ns	
	TRAT	Read access time (ID)		40	ns	
	TRATFM	Read access time (FM)		40	ns	
	TODH	Output disable time		80	ns	

Table 8.1.1 Parallel Interface Characteristics

Note: VDDI=1.65 to 3.3V, VDD=2.6 to 3.3V, AGND=DGND=0V, Ta=25 °C

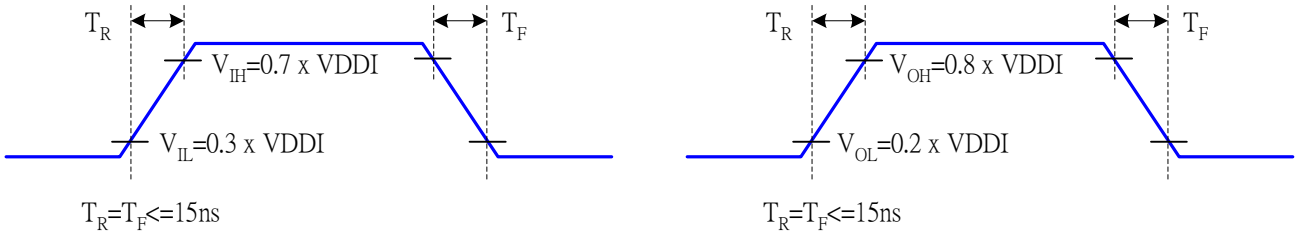


Fig. 8.1.2 Rising and falling timing for input and output signal

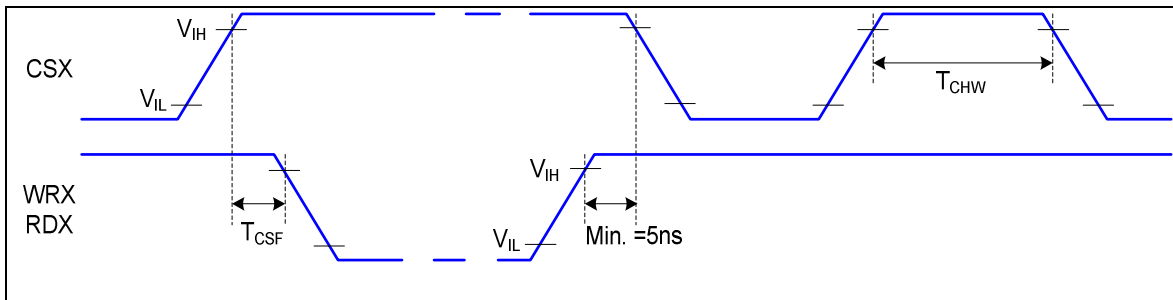


Fig. 8.1.3 Chip selection (CSX) timing

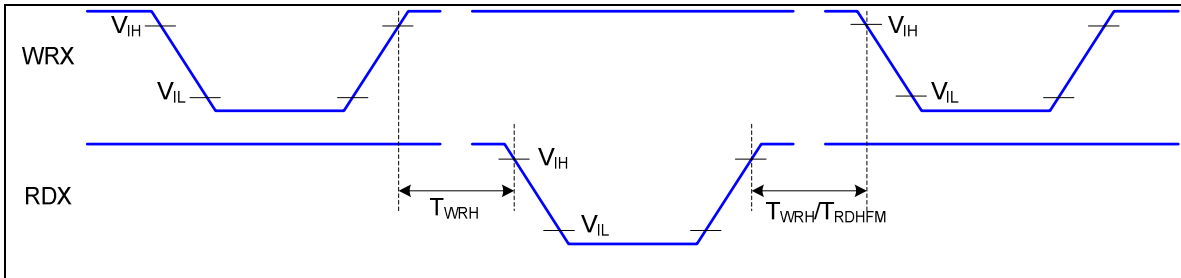


Fig. 8.1.4 Write-to-read and read-to-write timing

Note: The rising time and falling time (T_r , T_f) of input signal are specified at 15 ns or less. Logic high and low levels are specified as 30% and 70% of VDDI for Input signals.

8.2 Serial interface characteristics (3-line serial)

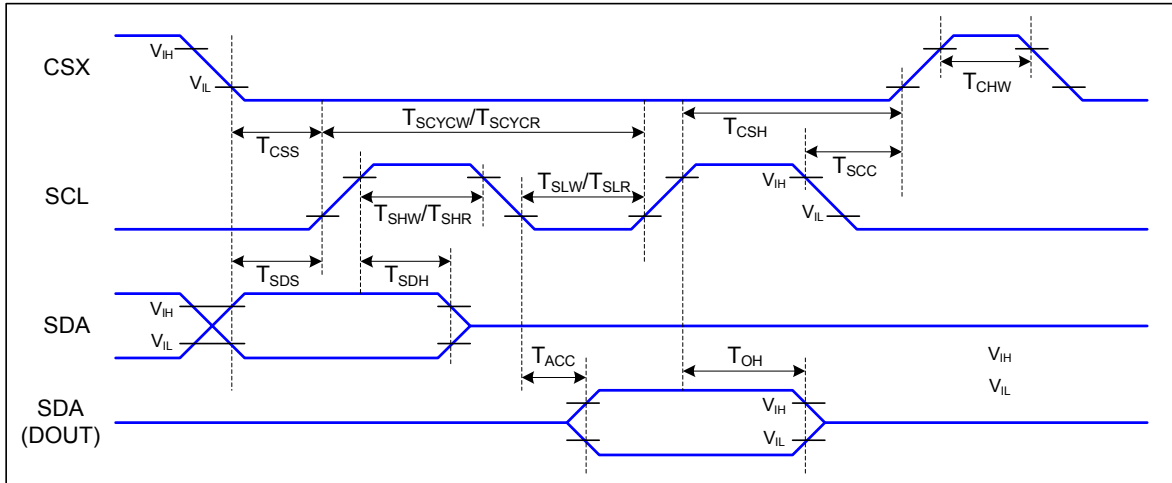


Fig. 8.2.1 3-line serial interface timing

Signal	Symbol	Parameter	Min	Max	Unit	Description
CSX	T _{CSS}	Chip select setup time (write)	15		ns	
	T _{CSH}	Chip select hold time (write)	15		ns	
	T _{CSS}	Chip select setup time (read)	60		ns	
	T _{SCH}	Chip select hold time (read)	65		ns	
	T _{CHW}	Chip select "H" pulse width	40		ns	
SCL	T _{SCYCW}	Serial clock cycle (Write)	66		ns	
	T _{SHW}	SCL "H" pulse width (Write)	30		ns	
	T _{SLW}	SCL "L" pulse width (Write)	30		ns	
	T _{SCYCR}	Serial clock cycle (Read)	150		ns	
	T _{SHR}	SCL "H" pulse width (Read)	60		ns	
	T _{SLR}	SCL "L" pulse width (Read)	60		ns	
SDA (DIN) (DOUT)	T _{SDS}	Data setup time	10		ns	For maximum CL=30pF For minimum CL=8pF
	T _{SDH}	Data hold time	10		ns	
	T _{ACC}	Access time	10	50	ns	
	T _{OH}	Output disable time		50	ns	

Table 8.2.1 3-line Serial Interface Characteristics

Note 1: V_{DDI}=1.65 to 3.3V, V_{DD}=2.6 to 3.3V, A_{GND}=D_{GND}=0V, T_a=25 °C

Note 2: The rising time and falling time (T_r, T_f) of input signal are specified at 15 ns or less. Logic high and low levels are specified as 30% and 70% of V_{DDI} for Input signals.

8.3 Serial interface characteristics (4-line serial)

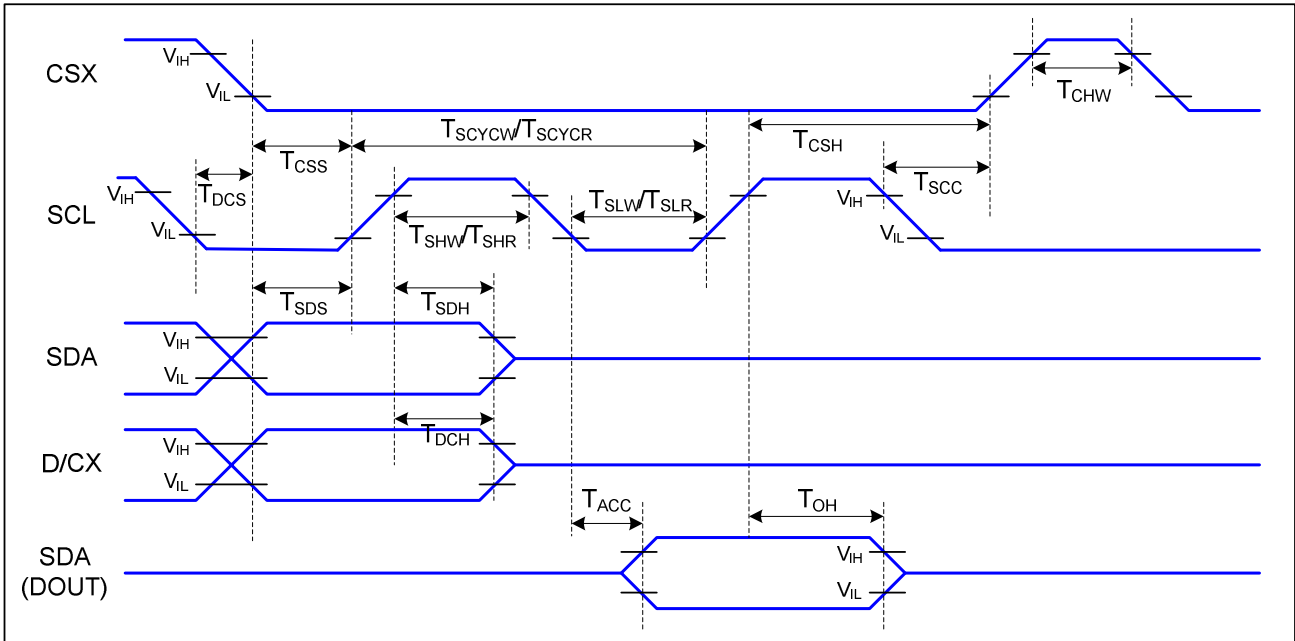


Fig. 8.3.1 4-line serial interface timing

Signal	Symbol	Parameter	MIN	MAX	Unit	Description	
CSX	TCSS	Chip select setup time (write)	15		ns		
	TCSH	Chip select hold time (write)	15		ns		
	TCSS	Chip select setup time (read)	60		ns		
	TSCC	Chip select hold time (read)	65		ns		
	TCHW	Chip select "H" pulse width	40		ns		
SCL	TSCYCW	Serial clock cycle (Write)	66		ns	-write command & data ram	
	TSHW	SCL "H" pulse width (Write)	30		ns		
	TSLW	SCL "L" pulse width (Write)	30		ns		
	TSCYCR	Serial clock cycle (Read)	150		ns	-read command & data ram	
	TSHR	SCL "H" pulse width (Read)	60		ns		
	TSLR	SCL "L" pulse width (Read)	60		ns		
D/CX	TDCS	D/CX setup time		0	ns		
	TDCH	D/CX hold time	10		ns		
SDA (DIN) (DOUT)	TSDS	Data setup time	10		ns		
	TSDH	Data hold time	10		ns		
	TACC	Access time	10	50	ns		For maximum $CL=30pF$
	TOH	Output disable time		50	ns		For minimum $CL=8pF$

Table 8.3.1 4-line Serial Interface Characteristics

Note 1: $V_{DDI}=1.65$ to $3.3V$, $V_{DD}=2.6$ to $3.3V$, $AGND=DGND=0V$, $T_a=25$ °C

Note 2: The rising time and falling time (T_r , T_f) of input signal are specified at 15 ns or less. Logic high and low levels are specified as 30% and 70% of V_{DDI} for Input signals.

9 Function description

9.1 Interface type selection

The selection of given interfaces are done by setting IM2, IM1, and IM0 pins as shown in following table.

IM2	IM1	IM0	Interface	Read back selection
0	-	-	3-line serial interface	Via the read instruction
1	0	0	8080 MCU 8-bit parallel	RDX strobe (8-bit read data and 8-bit read parameter)
1	0	1	8080 MCU 16-bit parallel	RDX strobe (16-bit read data and 8-bit read parameter)
1	1	0	8080 MCU 9-bit parallel	RDX strobe (9-bit read data and 8-bit read parameter)
1	1	1	8080 MCU 18-bit parallel	RDX strobe (18-bit read data and 8-bit read parameter)

Table 9.1.1 Selection of MCU interface

IM2	IM1	IM0	Interface	RDX	WRX	D/CX	Read back selection
0	-	-	3-line serial	Note1	Note1	SCL	D[17:1]: unused, D0: SDA
1	0	0	8080 8-bit parallel	RDX	WRX	D/CX	D[17:8]: unused, D7-D0: 8-bit data
1	0	1	8080 16-bit parallel	RDX	WRX	D/CX	D[17:16]: unused, D15-D0: 16-bit data
1	1	0	8080 9-bit parallel	RDX	WRX	D/CX	D[17:9]: unused, D8-D0: 9-bit data
1	1	1	8080 18-bit parallel	RDX	WRX	D/CX	D17-D0: 18-bit data

Table 9.1.2 Pin connection according to various MCU interface

Note1 Unused pins can be open, or connected to DGND or VDDI.

9.2 8080-series MCU parallel interface

The MCU can use one of following interfaces: 11-lines with 8-data parallel interface, 12-lines with 9-data parallel interface, 19-line with 16-data parallel interface or 21-lines with 18-data parallel interface. The chip-select CSX (active low) enables/disables the parallel interface. RESX (active low) is an external reset signal. WRX is the parallel data write enable, RDX is the parallel data read enable and D[17:0] is parallel data bus.

The LCD driver reads the data at the rising edge of WRX signal. The D/CX is the data/command flag. When D/CX='1', D[17:0] bits is either display data or command parameter. When D/C='0', D[17:0] bits is command.

The interface functions of 8080-series parallel interface are given in following table.

IM2	IM1	IM0	Interface	D/CX	RDX	WRX	Read back selection
1	0	0	8-bit parallel	0	1	↑	Write 8-bit command (D7 to D0)
				1	1	↑	Write 8-bit display data or 8-bit parameter (D7 to D0)
				1	↑	1	Read 8-bit display data (D7 to D0)
				1	↑	1	Read 8-bit parameter or status (D7 to D0)
1	0	1	16-bit parallel	0	1	↑	Write 8-bit command (D7 to D0)
				1	1	↑	Write 16-bit display data or 8-bit parameter (D15 to D0)
				1	↑	1	Read 16-bit display data (D15 to D0)
				1	↑	1	Read 8-bit parameter or status (D7 to D0)
1	1	0	9-bit parallel	0	1	↑	Write 8-bit command (D7 to D0)
				1	1	↑	Write 9-bit display data or 8-bit parameter (D8 to D0)
				1	↑	1	Read 9-bit display data (D8 to D0)
				1	↑	1	Read 8-bit parameter or status (D7 to D0)
1	1	1	18-bit parallel	0	1	↑	Write 8-bit command (D7 to D0)
				1	1	↑	Write 18-bit display data or 8-bit parameter (D17 to D0)
				1	↑	1	Read 18-bit display data (D17 to D0)
				1	↑	1	Read 8-bit parameter or status (D7 to D0)

Table 9.2.1 the function of 8080-series parallel interface

Note: applied for command code: DAh, DBh, DCh, 04h, 09h, 0Ah, 0Bh, 0Ch, 0Dh, 0Eh, 0Fh

9.2.1 Write cycle sequence

The write cycle means that the host writes information (command or/and data) to the display via the interface. Each write cycle (WRX high-low-high sequence) consists of 3 control signals (D/CX, RDX, WRX) and data signals (D[17:0]). D/CX bit is a control signal, which tells if the data is a command or a data. The data signals are the command if the control signal is low (=0') and vice versa it is data (=1').

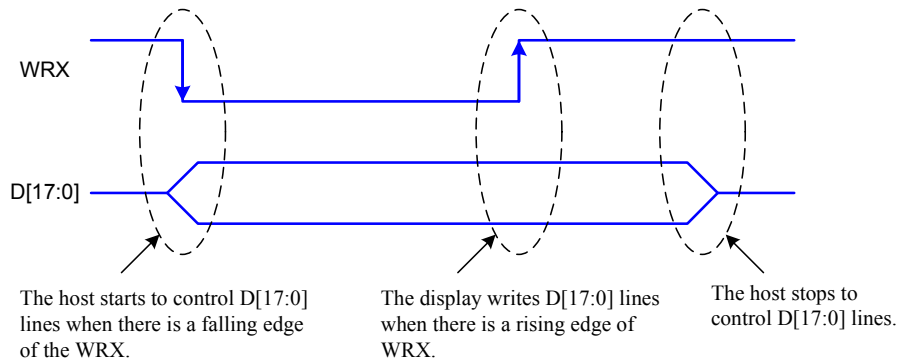


Fig. 9.2.1 8080-series WRX protocol

Note: WRX is an unsynchronized signal (It can be stopped).

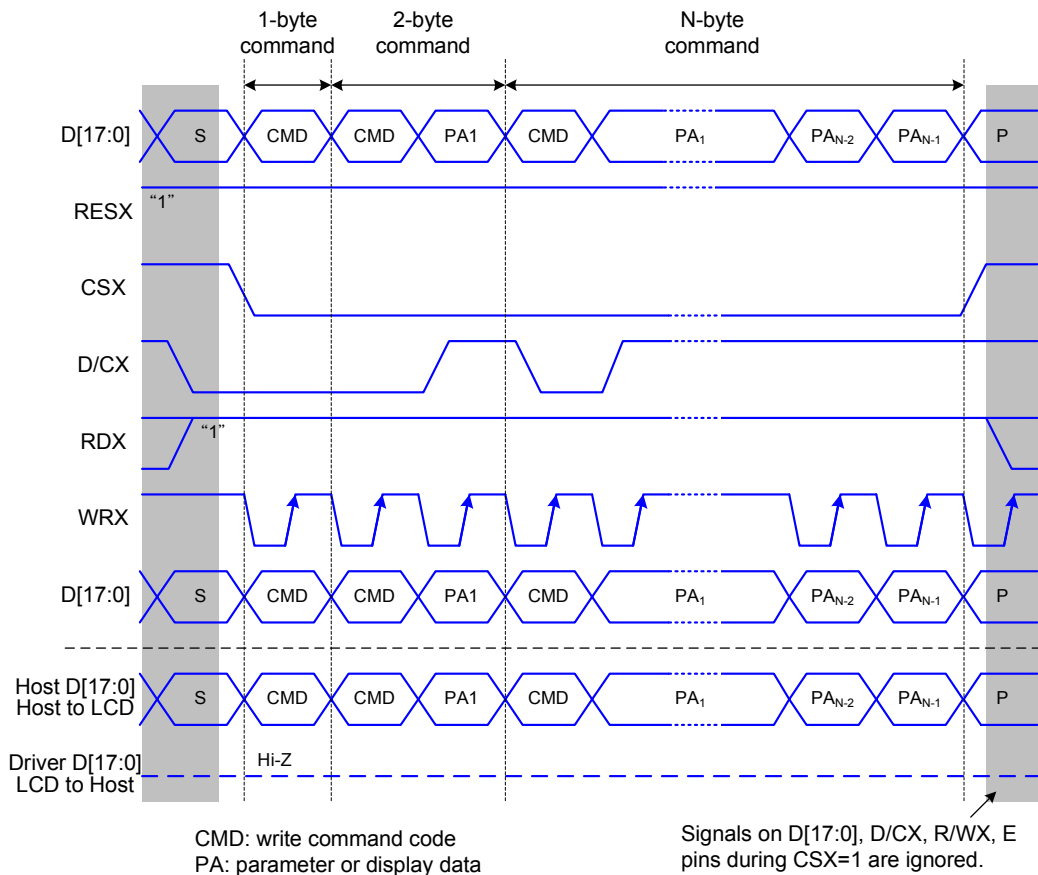


Fig. 9.2.2 8080-series parallel bus protocol, write to register or display RAM

9.2.2 Read cycle sequence

The read cycle (RDX high-low-high sequence) means that the host reads information from LCD driver via interface. The driver sends data (D[17:0]) to the host when there is a falling edge of RDX and the host reads data when there is a rising edge of RDX.

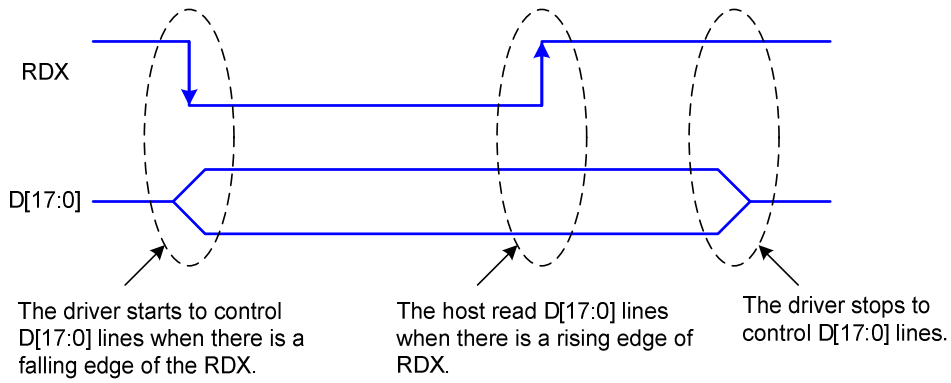


Fig. 9.2.3 8080-series RDX protocol

Note: RDX is an unsynchronized signal (It can be stopped).

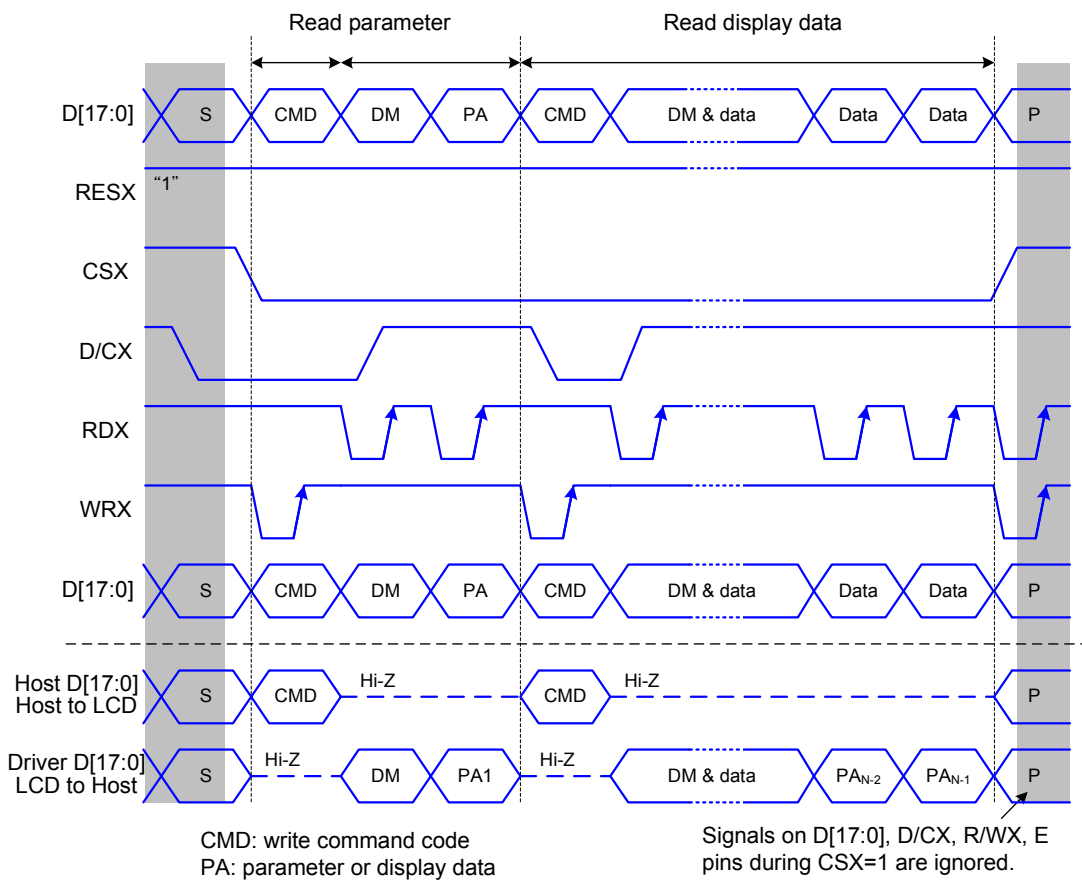


Fig. 9.2.4 8080-series parallel bus protocol, read data from register or display RAM

9.3 Serial interface

The selection of this interface is done by IM2. See the Table 9.3.1.

IM2	SPI4W	Interface	Read back selection
0	0	3-line serial interface	Via the read instruction (8-bit, 24-bit and 32-bit read parameter)
0	1	4-line serial interface	Via the read instruction (8-bit, 24-bit and 32-bit read parameter)

Table 9.3.1 Selection of serial interface

The serial interface is either 3-line/9-bit or 4-line/8-bit bi-directional interface for communication between the micro controller and the LCD driver. The 3-line serial interface use: CSX (chip enable), SCL (serial clock) and SDA (serial data input/output), and the 4-line serial interface use: CSX (chip enable), D/CX (data/ command flag), SCL (serial clock) and SDA (serial data input/output). Serial clock (SCL) is used for interface with MCU only, so it can be stopped when no communication is necessary.

9.3.1 Command Write Mode

The write mode of the interface means the micro controller writes commands and data to the LCD driver. 3-line serial data packet contains a control bit D/CX and a transmission byte. In 4-line serial interface, data packet contains just transmission byte and control bit D/CX is transferred by the D/CX pin. If D/CX is "low", the transmission byte is interpreted as a command byte. If D/CX is "high", the transmission byte is stored in the display data RAM (memory write command), or command register as parameter.

Any instruction can be sent in any order to the driver. The MSB is transmitted first. The serial interface is initialized when CSX is high. In this state, SCL clock pulse or SDA data have no effect.

A falling edge on CSX enables the serial interface and indicates the start of data transmission.

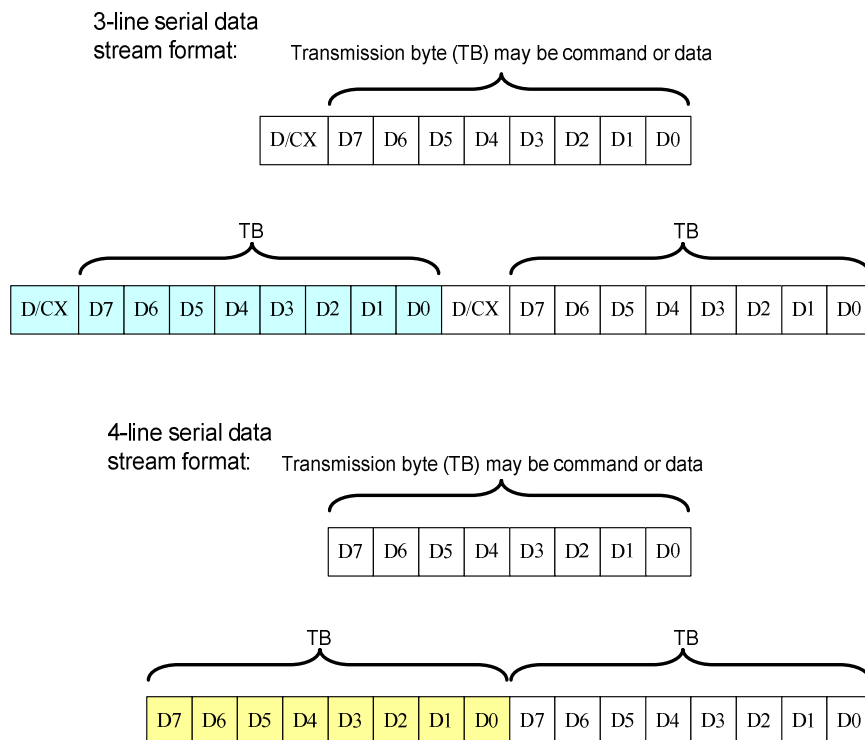


Fig. 9.3.1 Serial interface data stream format

When CSX is "high", SCL clock is ignored. During the high period of CSX the serial interface is initialized. At the falling edge of CSX, SCL can be high or low (see Fig 9.3.2). SDA is sampled at the rising edge of SCL. D/CX indicates whether the byte is command (D/CX='0') or parameter/RAM data (D/CX='1'). D/CX is sampled when first rising edge of SCL (3-line serial interface) or 8th rising edge of SCL (4-line serial interface). If CSX stays low after the last bit of command/data byte, the serial interface expects the D/CX bit (3-line serial interface) or D7 (4-line serial interface) of the next byte at the next rising edge of SCL.

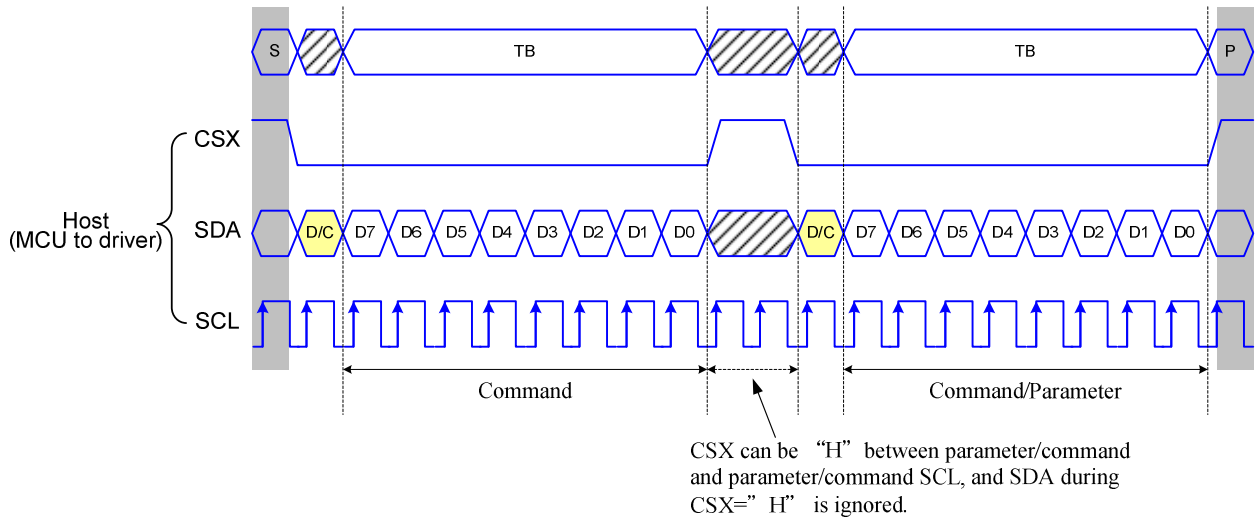


Fig. 9.3.2 3-line serial interface write protocol (write to register with control bit in transmission)

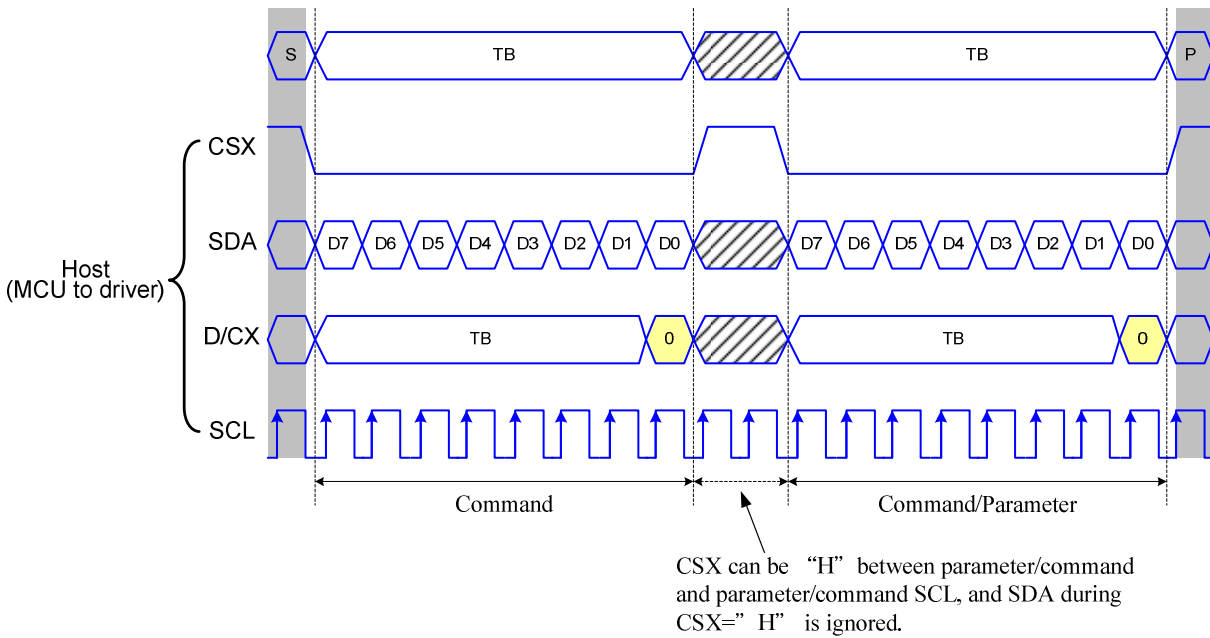


Fig. 9.3.3 4-line serial interface write protocol (write to register with control bit in transmission)

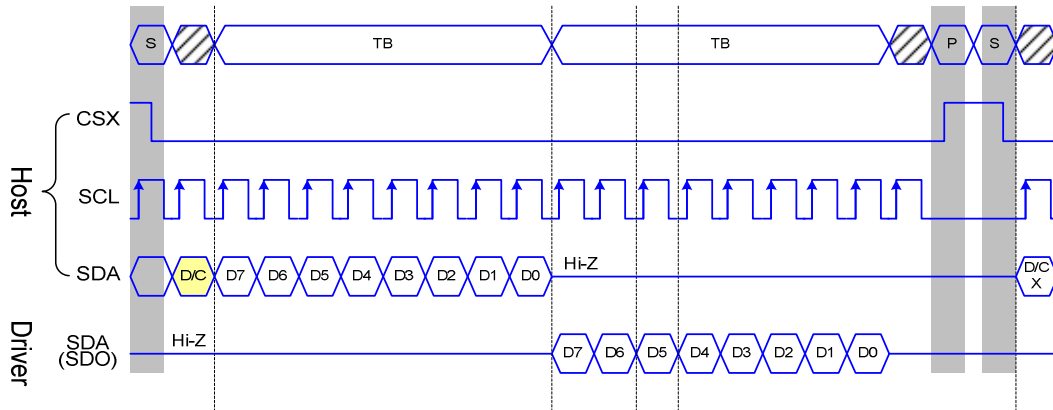
9.3.2 Read Functions

The read mode of the interface means that the micro controller reads register value from the driver. To achieve read function, the micro controller first has to send a command (read ID or register command) and then the following byte is transmitted in the opposite direction. After that CSX is required to go to high before a new command is send (see the below figure). The driver samples the SDA (input data) at rising edge of SCL, but shifts SDA (output data) at the falling edge of SCL. Thus the micro controller is supported to read at the rising edge of SCL.

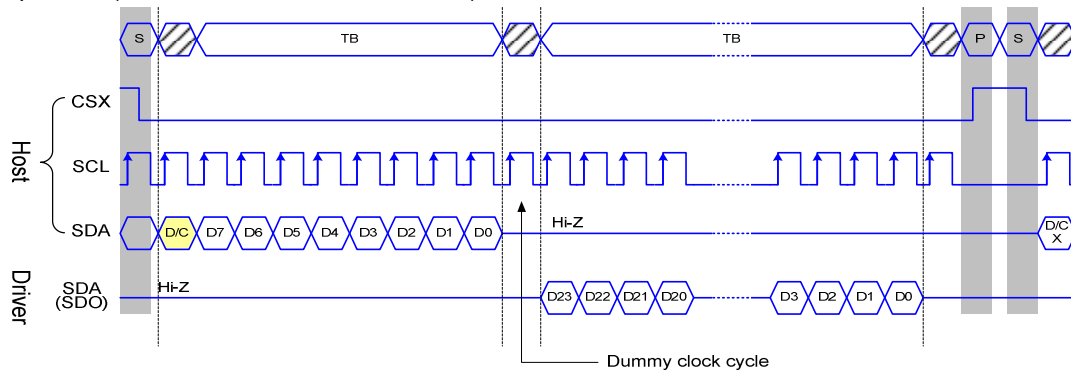
After the read status command has been sent, the SDA line must be set to tri-state no later than at the falling edge of SCL of the last bit.

9.3.3 3-line serial protocol

3-line serial protocol (for RDID1/RDID2/RDID3/0Ah/0Bh/0Ch/0Dh/0Eh/0Fh command: 8-bit read):



3-line serial protocol (for RDDID command: 24-bit read)



3-line Serial Protocol (for RDDST command: 32-bit read)

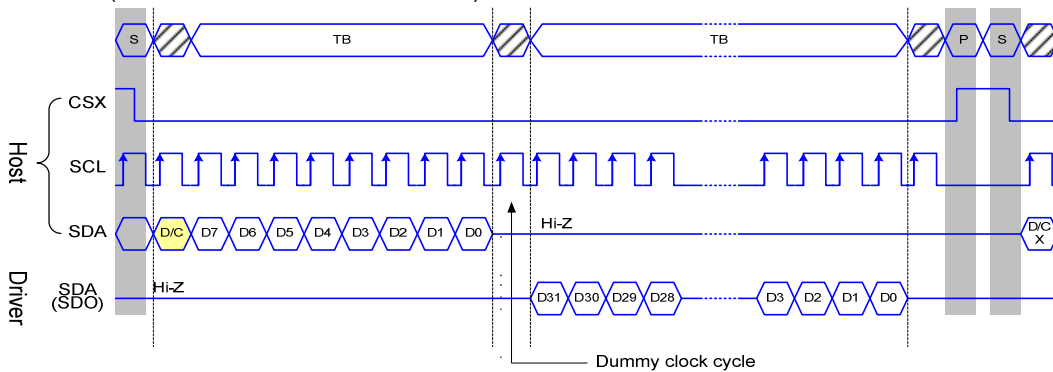
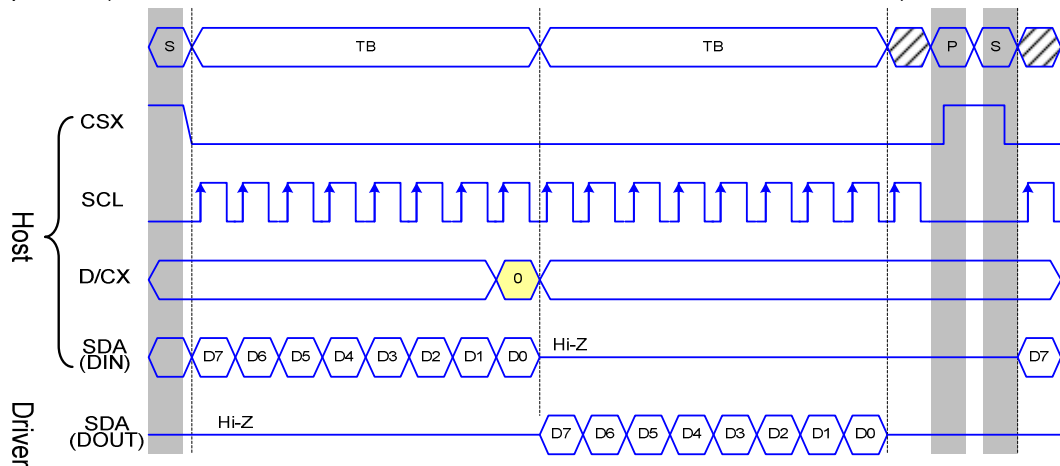


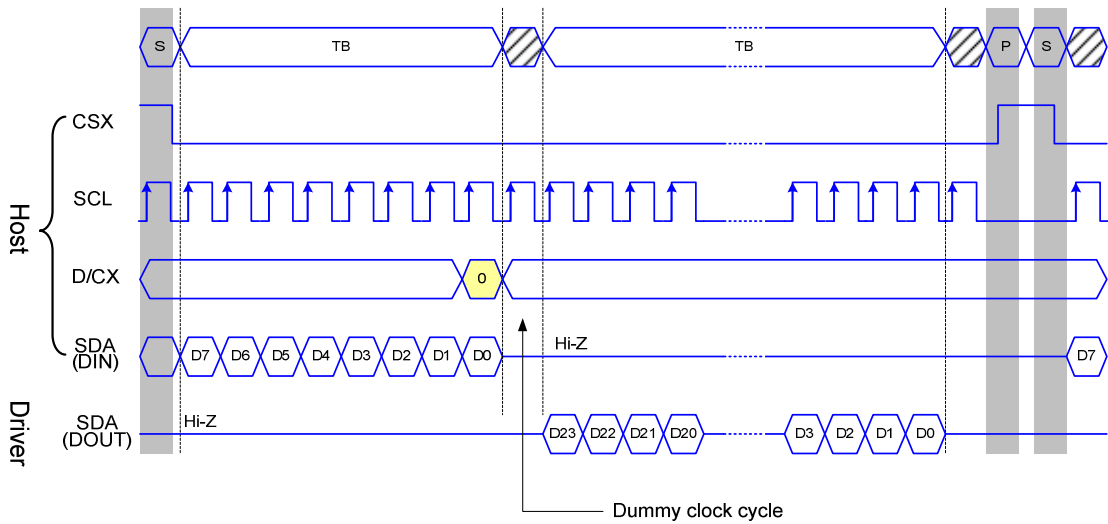
Fig. 9.3.4 3-line serial interface read protocol

9.3.4 4-line serial protocol

4-line serial protocol (for RDID1/RDID2/RDID3/0Ah/0Bh/0Ch/0Dh/0Eh/0Fh command: 8-bit read):



4-line serial protocol (for RDDID command: 24-bit read)



4-line Serial Protocol (for RDDST command: 32-bit read)

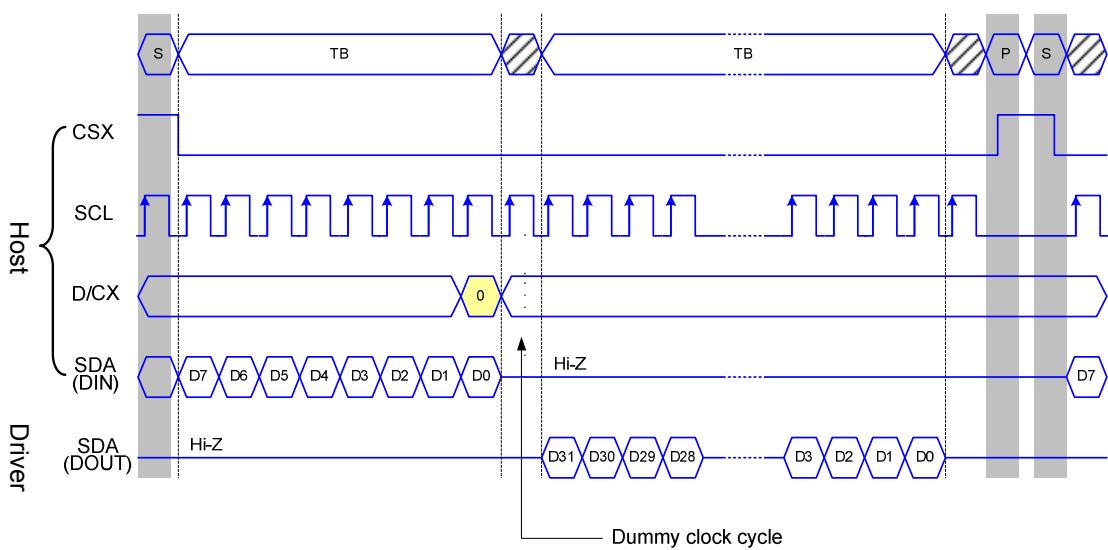


Fig. 9.3.5 4-line serial interface read protocol

9.4 Data Transfer Break and Recovery

If there is a break in data transmission by RESX pulse, while transferring a command or frame memory data or multiple parameter command data, before Bit D0 of the byte has been completed, then driver will reject the previous bits and have reset the interface such that it will be ready to receive command data again when the chip select line (CSX) is next activated after RESX have been HIGH state. See the following example

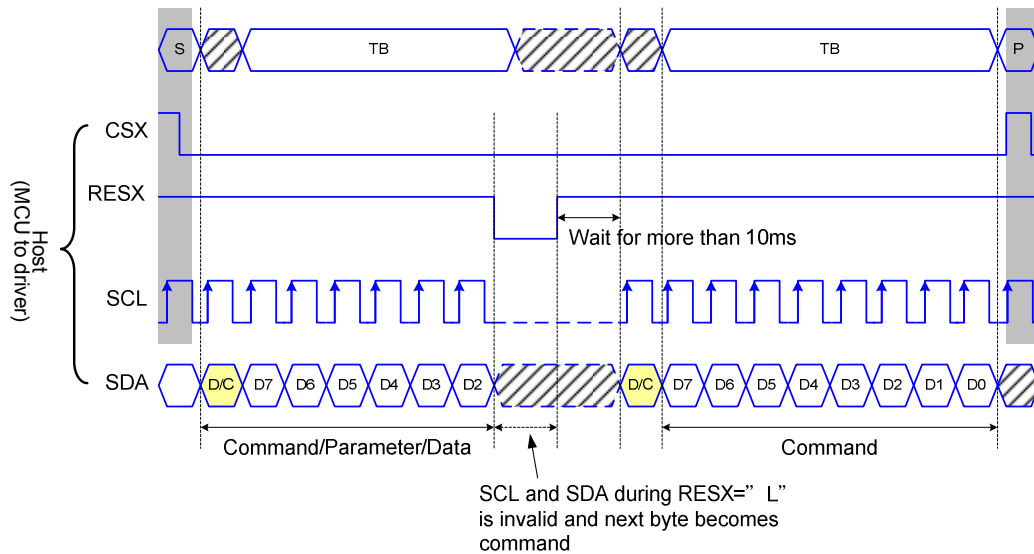


Fig. 9.4.1 Serial bus protocol, write mode - interrupted by RESX

If there is a break in data transmission by CSX pulse, while transferring a command or frame memory data or multiple parameter command data, before Bit D0 of the byte has been completed, then driver will reject the previous bits and have reset the interface such that it will be ready to receive the same byte re-transmitted when the chip select line (CSX) is next activated. See the following example

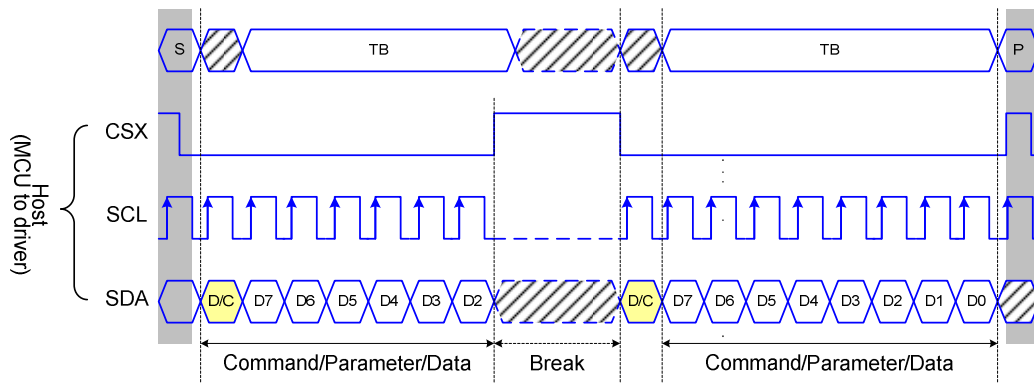


Fig. 9.4.2 Serial bus protocol, write mode - interrupted by CSX

If 1, 2 or more parameter commands are being sent and a break occurs while sending any parameter before the last one and if the host then sends a new command rather than re-transmitting the parameter that was interrupted, then the parameters that were successfully sent are stored and the parameter where the break occurred is rejected. The interface is ready to receive next byte as shown below.

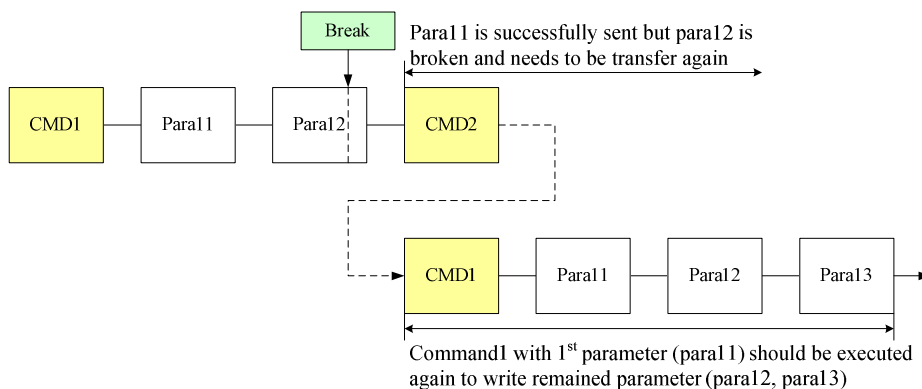


Fig. 9.4.3 Write interrupts recovery (serial interface)

If a 2 or more parameter commands are being sent and a break occurs by the other command before the last one is sent, then the parameters that were successfully sent are stored and the other parameter of that command remains previous value.

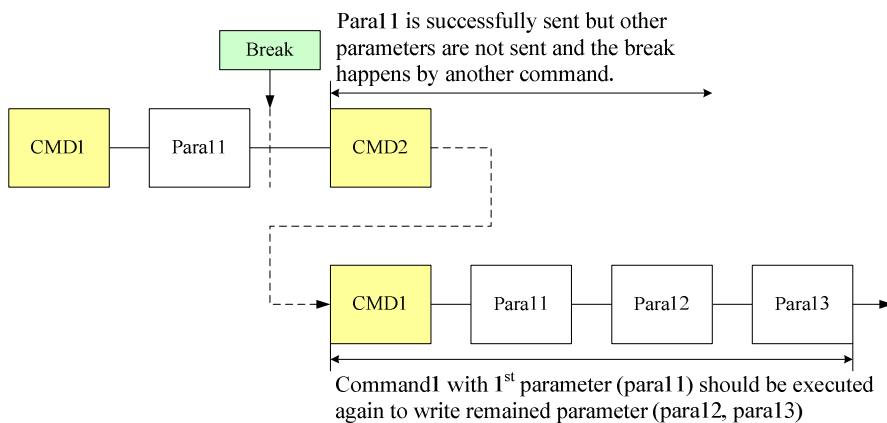


Fig. 9.4.4 Write interrupts recovery (both serial and parallel Interface)

9.5 Data transfer pause

It will be possible when transferring a command, frame memory data or multiple parameter data to invoke a pause in the data transmission. If the chip select line is released after a whole byte of a frame memory data or multiple parameter data has been completed, then driver will wait and continue the frame memory data or parameter data transmission from the point where it was paused. If the chip select Line is released after a whole byte of a command has been completed, then the display module will receive either the command's parameters (if appropriate) or a new command when the chip select line is next enabled as shown below.

This applies to the following 4 conditions:

- 1) Command-Pause-Command
- 2) Command-Pause-Parameter
- 3) Parameter-Pause-Command
- 4) Parameter-Pause-Parameter

9.5.1 Serial interface pause

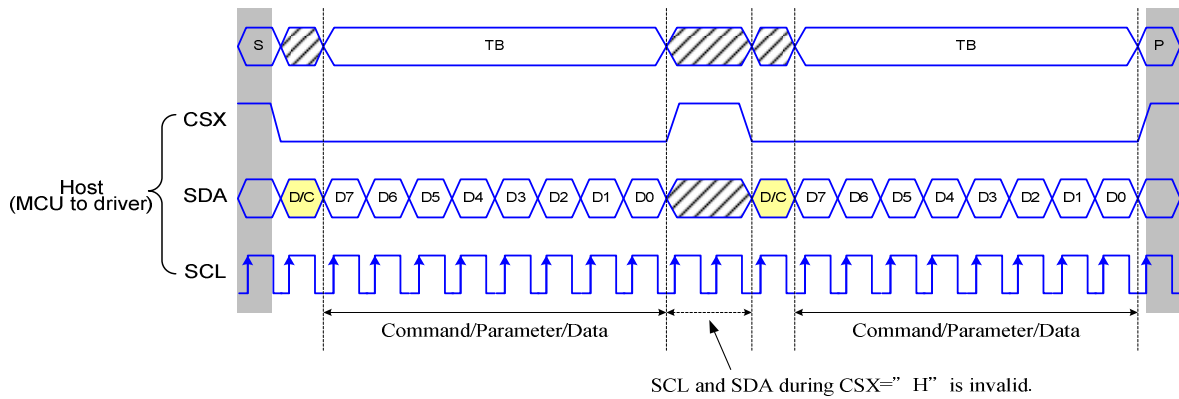


Fig. 9.5.1 Serial interface pause protocol (pause by CSX)

9.5.2 Parallel interface pause

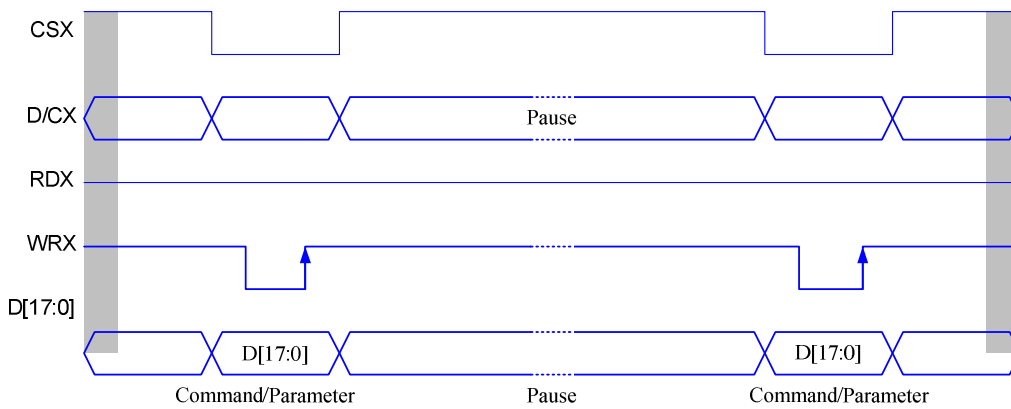


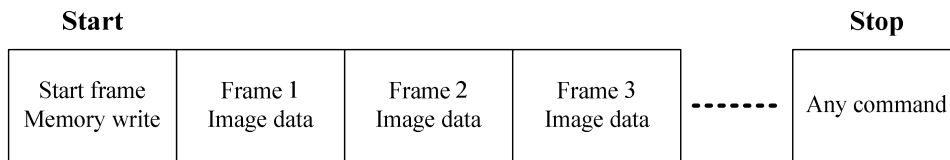
Fig. 9.5.2 Parallel bus pause protocol (paused by CSX)

9.6 Data Transfer Modes

The module has three kinds color modes for transferring data to the display RAM. These are 12-bit color per pixel, 16-bit color per pixel and 18-bit color per pixel. The data format is described for each interface. Data can be downloaded to the frame memory by 2 methods.

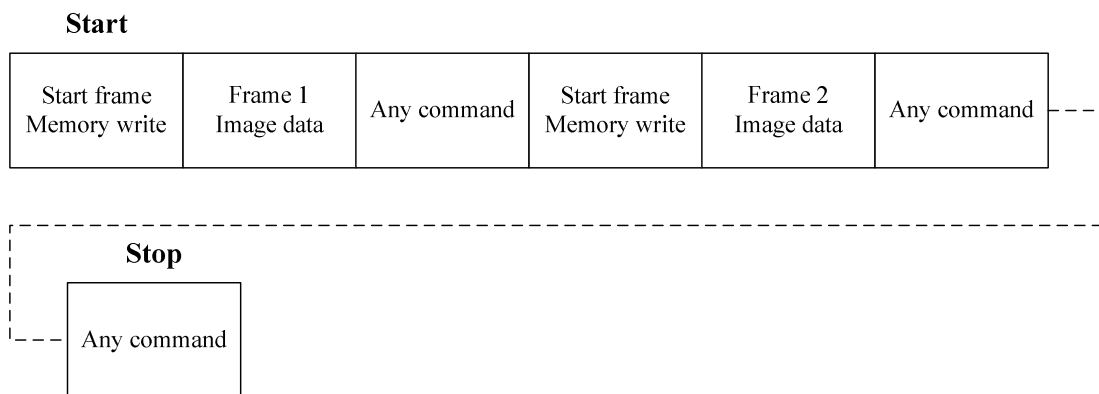
9.6.1 Method 1

The image data is sent to the frame memory in successive frame writes, each time the frame memory is filled, the frame memory pointer is reset to the start point and the next frame is written.



9.6.2 Method 2

The image data is sent and at the end of each frame memory download, a command is sent to stop frame memory write. Then start memory write command is sent, and a new frame is downloaded.



Note 1: These apply to all data transfer Color modes on both serial and parallel interfaces.

Note 2: The frame memory can contain both odd and even number of pixels for both methods. Only complete pixel data will be stored in the frame memory.

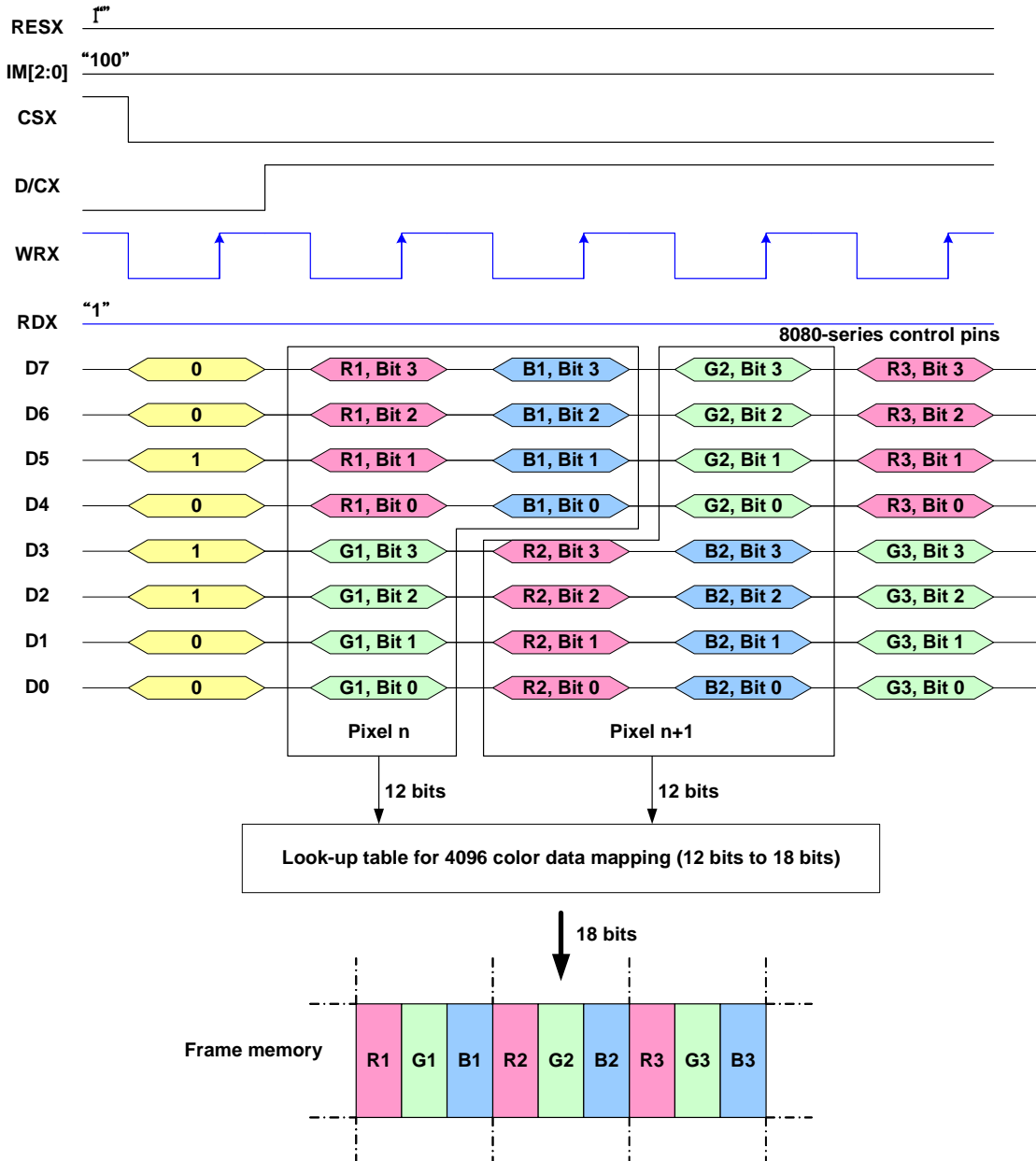
9.7 Data Color Coding

9.7.1 8-bit Parallel Interface (IM2, IM1, IM0= "100")

Different display data formats are available for three Colors depth supported by listed below.

- 4k colors, RGB 4,4,4-bit input.
- 65k colors, RGB 5,6,5-bit input.
- 262k colors, RGB 6,6,6-bit input.

9.7.2 8-bit data bus for 12-bit/pixel (RGB 4-4-4-bit input), 4K-Colors, 3AH= "03h"



Note1. The data order is as follows, MSB=D7, LSB=D0 and picture data is MSB=Bit 3, LSB=Bit 0 for Red, Green and Blue data.

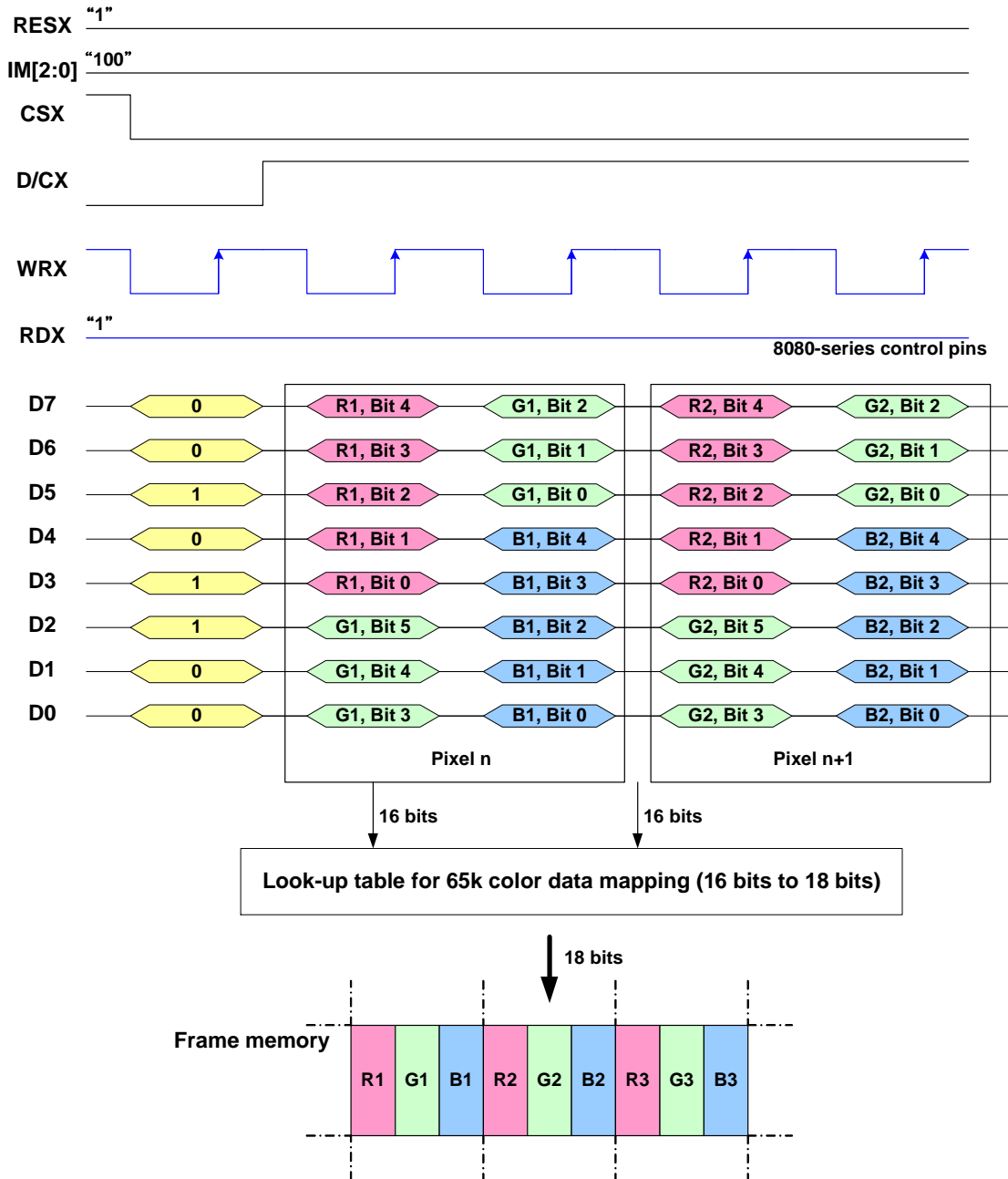
Note 2: 3-time transfer is used to transmit 1 pixel data with the 12-bit color depth information.

Note 3: '-' = Don't care - Can be set to '0' or '1'

ST7715

9.7.3 8-bit data bus for 16-bit/pixel (RGB 5-6-5-bit input), 65K-Colors, 3AH= "05h"

There is 1 pixel (3 sub-pixels) per 2-byte



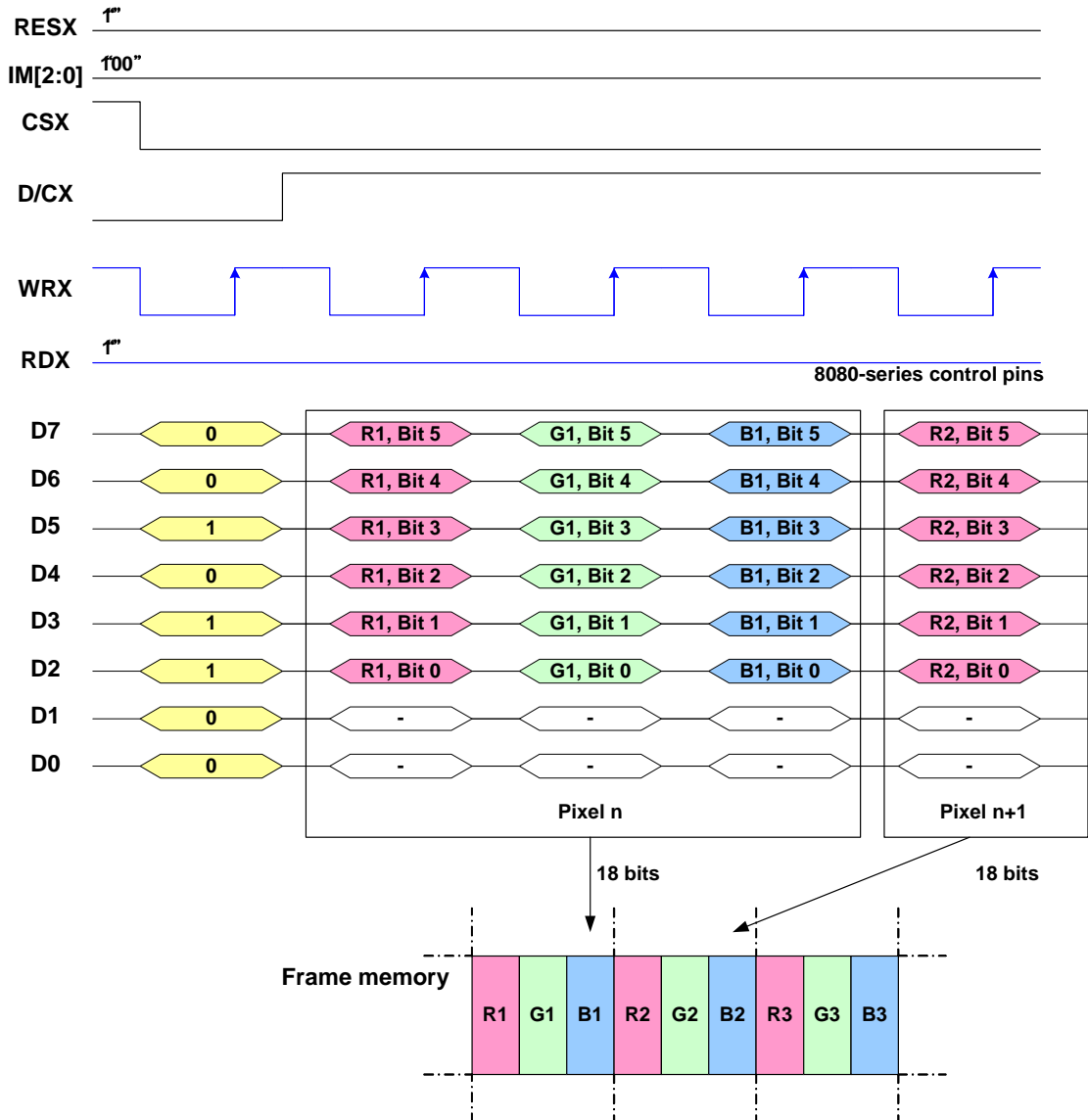
Note1. The data order is as follows, MSB=D7, LSB=D0 and picture data is MSB=Bit 5, LSB=Bit 0 for Green and MSB=Bit 4, LSB=Bit 0 for Red and Blue data.

Note 2: 2-times transfer is used to transmit 1 pixel data with the 16-bit color depth information.

Note 3: '-' = Don't care - Can be set to '0' or '1'

9.7.4 8-bit data bus for 18-bit/pixel (RGB 6-6-6-bit input), 262K-Colors, 3AH= "06h"

There is 1 pixel (3 sub-pixels) per 3-bytes.



Note1. The data order is as follows, MSB=D7, LSB=D0 and picture data is MSB=Bit 5, LSB=Bit 0 for Red, Green and Blue data.

Note 2:3-times transfer is used to transmit 1 pixel data with the 18-bit color depth information.

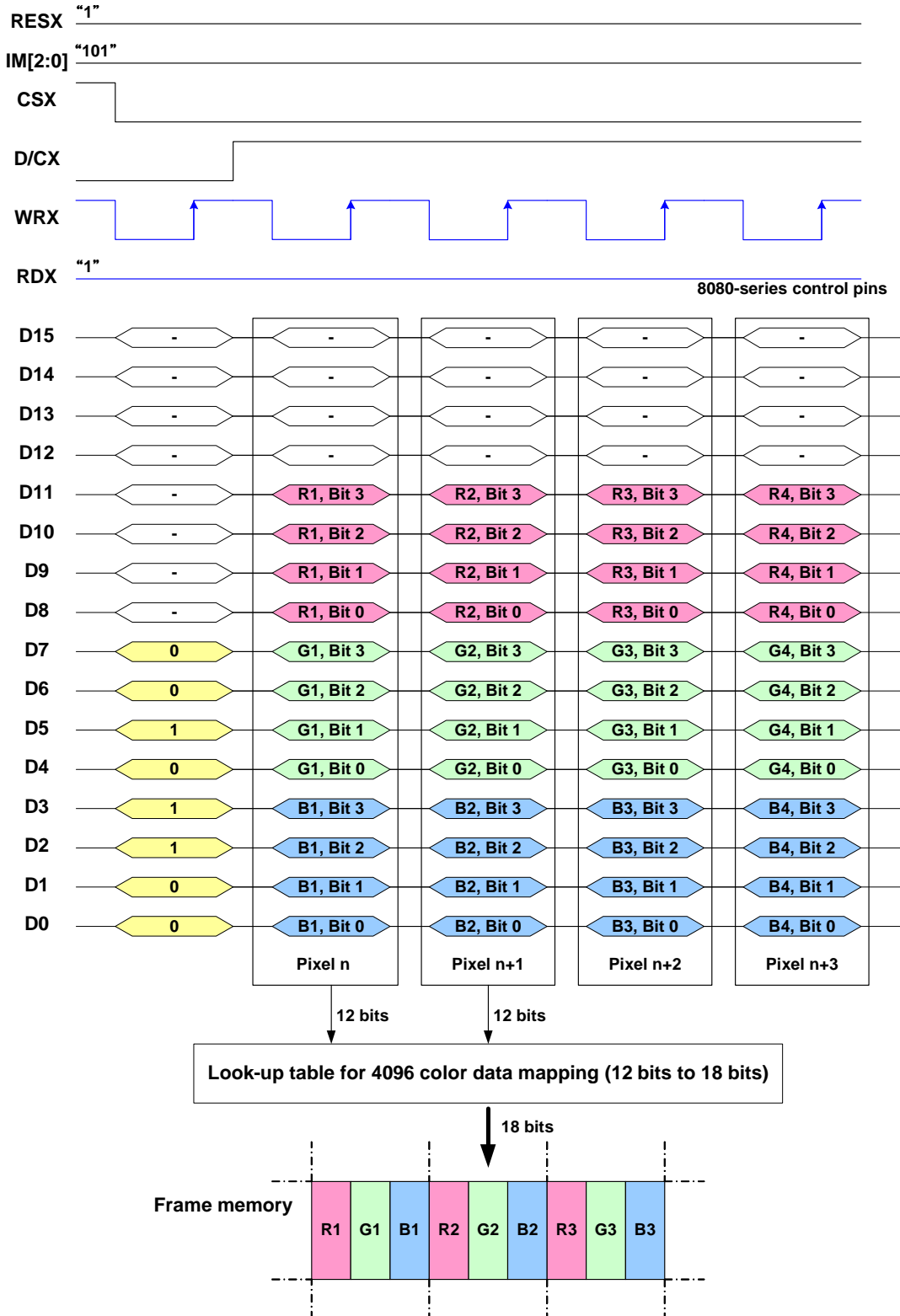
Note 3: '-' = Don't care - Can be set to '0' or '1'

9.7.5 16-Bit Parallel Interface (IM2,IM1, IM0= "101")

Different display data formats are available for three colors depth supported by listed below.
 - 4k colors, RGB 4,4,4-bit input
 - 65k colors, RGB 5,6,5-bit input
 - 262k colors, RGB 6,6,6-bit input

9.7.6 16-bit data bus for 12-bit/pixel (RGB 4-4-4-bit input), 4K-Colors, 3AH= "03h"

There is 1 pixel (3 sub-pixels) per 1 byte

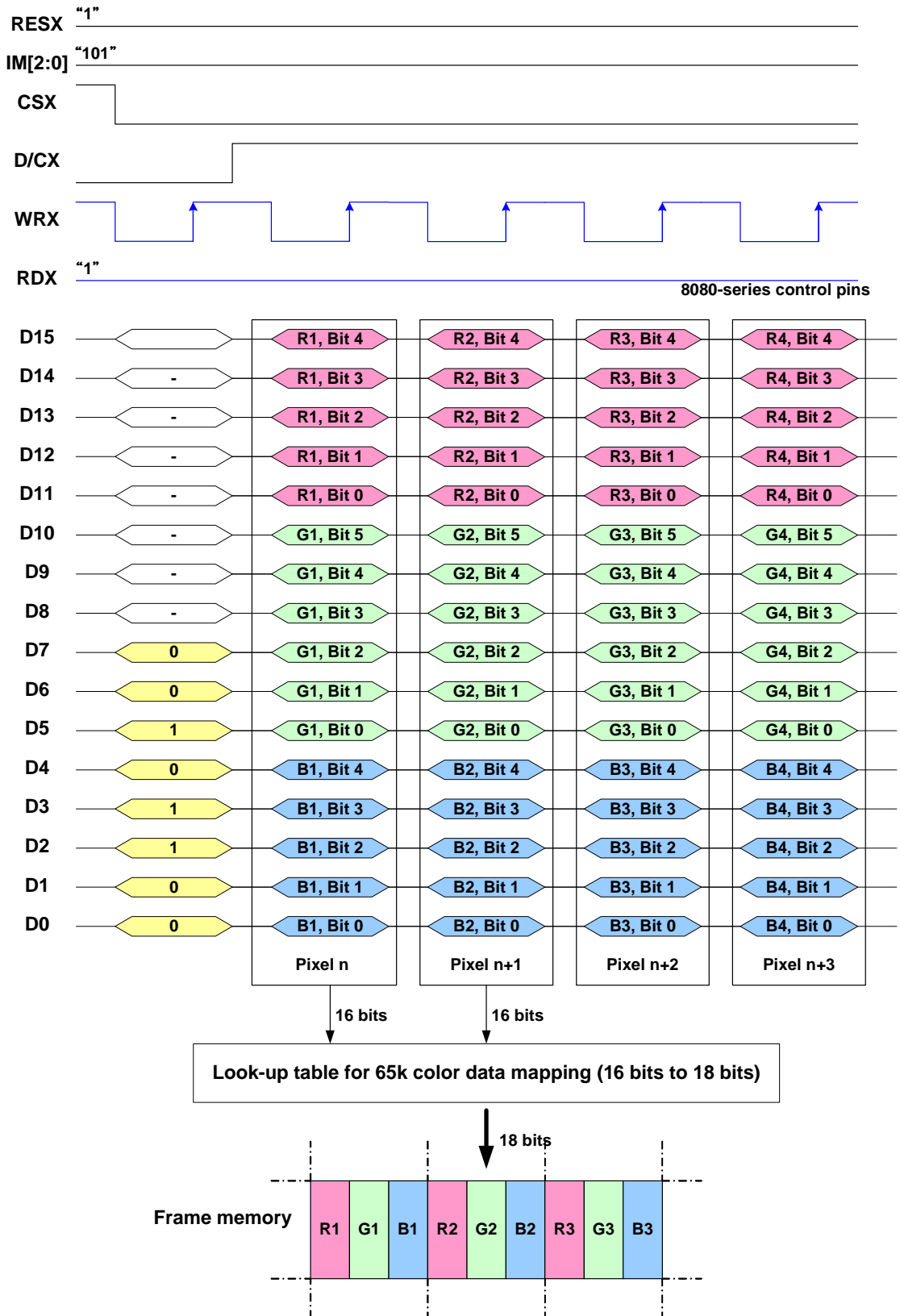


Note1. The data order is as follows, MSB=D11, LSB=D0 and picture data is MSB=Bit 3, LSB=Bit 0 for Red, Green and Blue data.
 Note 2: 1-times transfer (D11 to D0) is used to transmit 1 pixel data with the 12-bit color depth information.

ST7715

9.7.7 16-bit data bus for 16-bit/pixel (RGB 5-6-5-bit input), 65K-Colors, 3AH= "05h"

There is 1 pixel (3 sub-pixels) per 1 byte



Note1. The data order is as follows, MSB=D15, LSB=D0 and picture data is MSB=Bit 5, LSB=Bit 0 for Green, and MSB=Bit 4, LSB=Bit 0 for Red and Blue data.

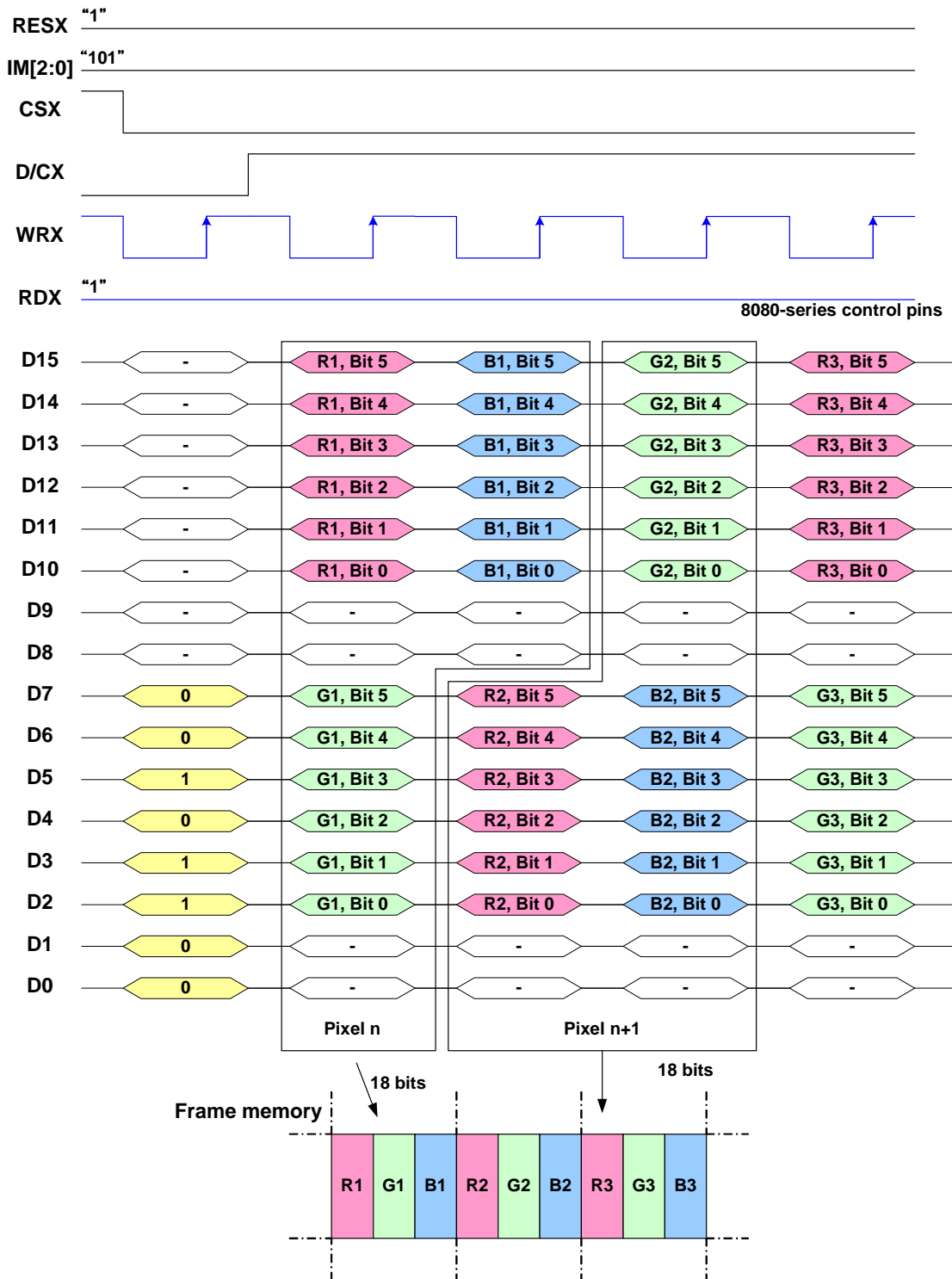
Note 2: 1-times transfer (D15 to D0) is used to transmit 1 pixel data with the 16-bit color depth information.

Note 3: '-' = Don't care - Can be set to '0' or '1'

ST7715

9.7.8 16-bit data bus for 18-bit/pixel (RGB 6-6-6-bit input), 262K-Colors, 3AH= "06h"

There are 2 pixels (6 sub-pixels) per 3 bytes



Note1. The data order is as follows, MSB=D15, LSB=D0 and picture data is MSB=Bits 5, LSB=Bit 0 for Red, Green and Blue data.

Note 2:3-times transfer is used to transmit 1 pixel data with the 18-bit color depth information.

Note 3: '-' = Don't care - Can be set to '0' or '1'

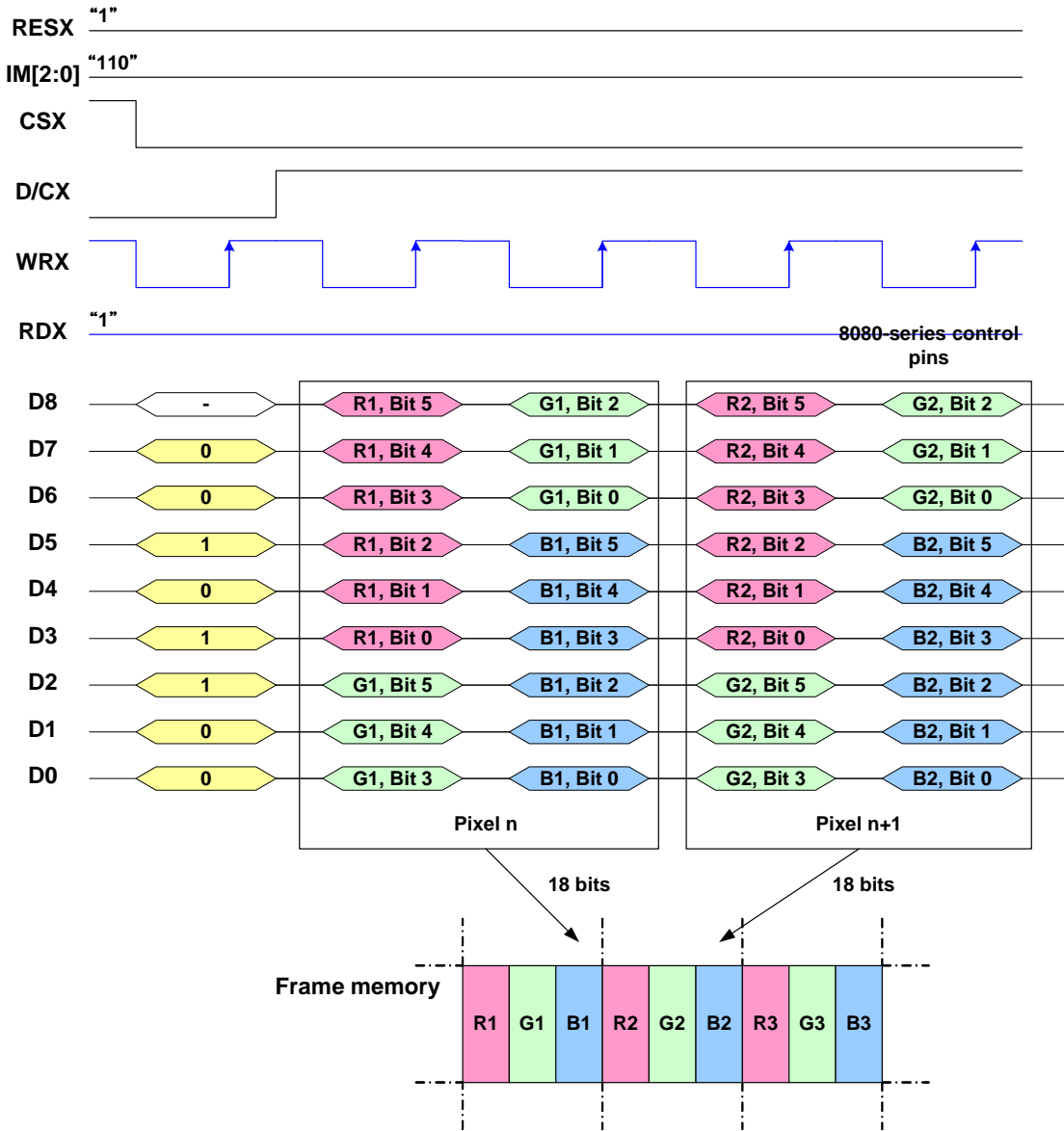
ST7715

9.7.9 9-Bit Parallel Interface (IM2, IM1, IM0="110")

Different display data formats are available for three colors depth supported by listed below.
 -262k colors, RGB 6,6,6-bit input

9.7.10 Write 9-bit data for RGB 6-6-6-bit input (262k-color)

There is 1 pixel (6 sub-pixels) per 3 bytes



Note1. The data order is as follows, MSB=D8, LSB=D0 and picture data is MSB=Bit 5, LSB=Bit 0 for Red, Green and Blue data.

Note 2:3-times transfer is used to transmit 1 pixel data with the 18-bit color depth information.

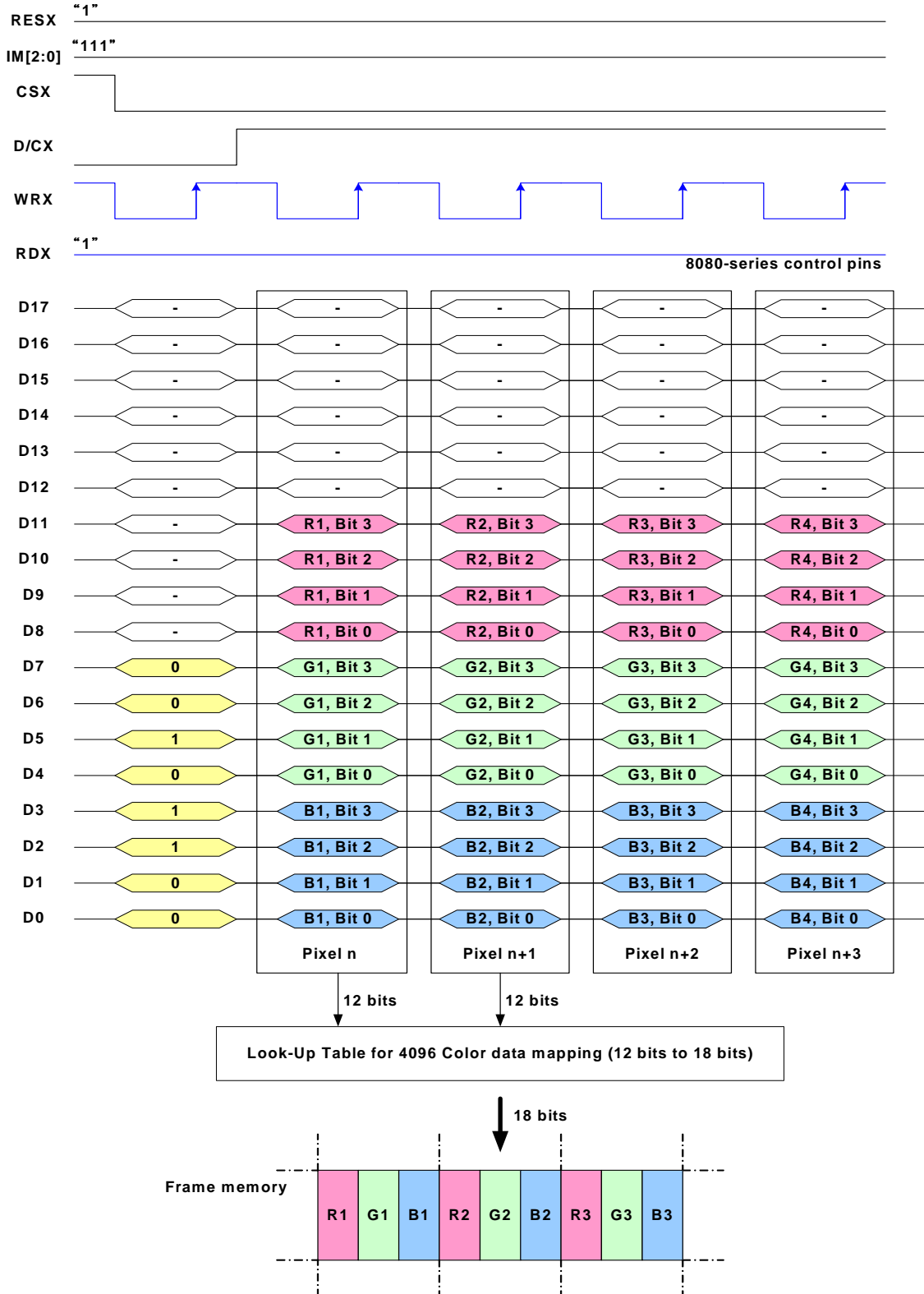
Note 3: '-' = Don't care - Can be set to '0' or '1'

9.7.11 18-Bit Parallel Interface (IM2, IM1, IM0="111")

Different display data formats are available for three colors depth supported by listed below.
 - 4k colors, RGB 4,4,4-bit input
 - 65k colors, RGB 5,6,5-bit input
 - 262k colors, RGB 6,6,6-bit input.

9.7.12 18-bit data bus for 12-bit/pixel (RGB 4-4-4-bit input), 4K-Colors, 3AH="03h"

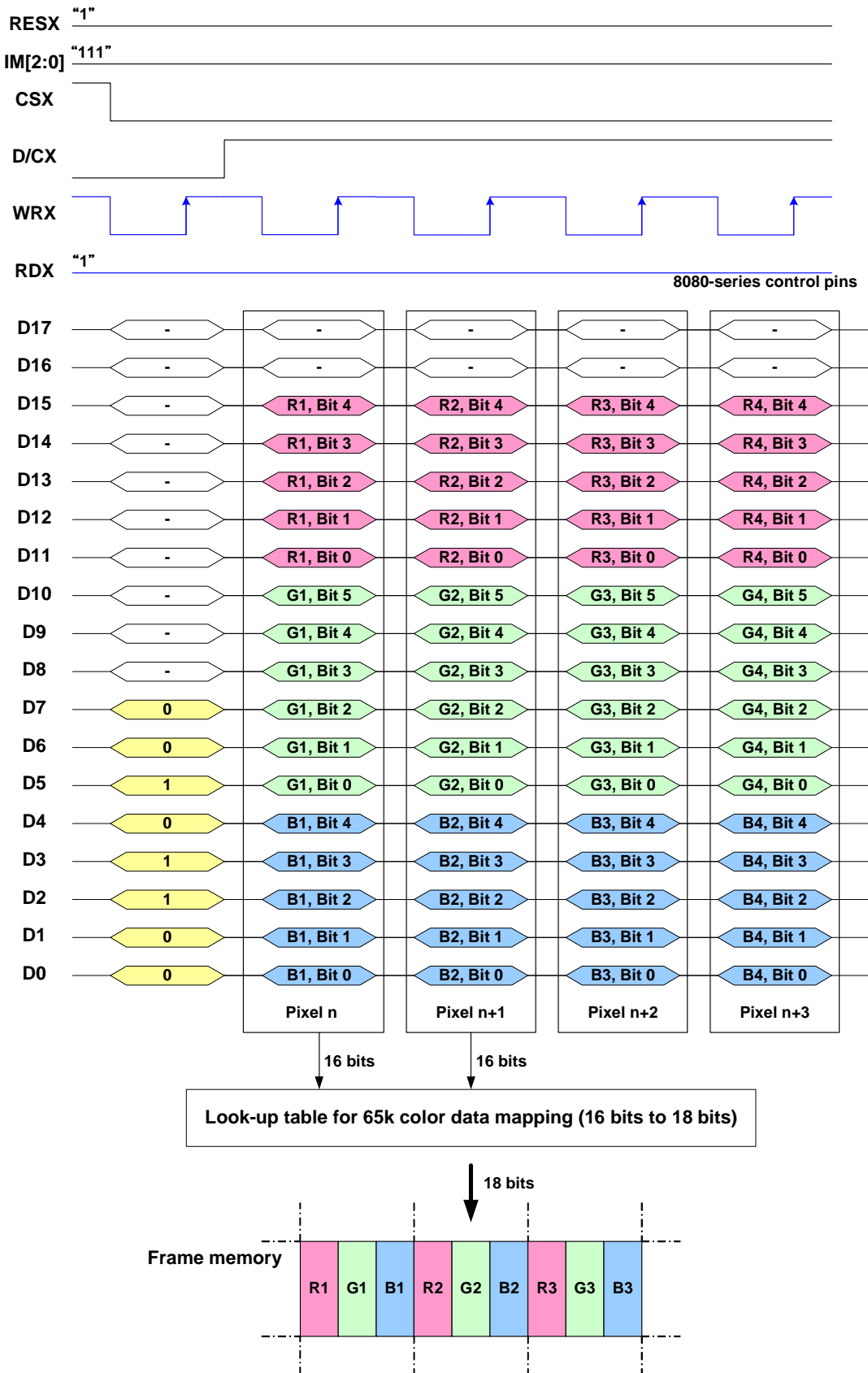
There is 1 pixel (3 sub-pixels) per 1 byte



Note1. The data order is as follows, MSB=D11, LSB=D0 and picture data is MSB=Bit 3, LSB=Bit 0 for Red, Green and Blue data.
 Note 2: 1-times transfer is used to transmit 1 pixel data with the 12-bit color depth information.

9.7.13 18-bit data bus for 16-bit/pixel (RGB 5-6-5-bit input), 65K-Colors, 3AH="05h"

There is 1 pixel (3 sub-pixels) per 1 byte



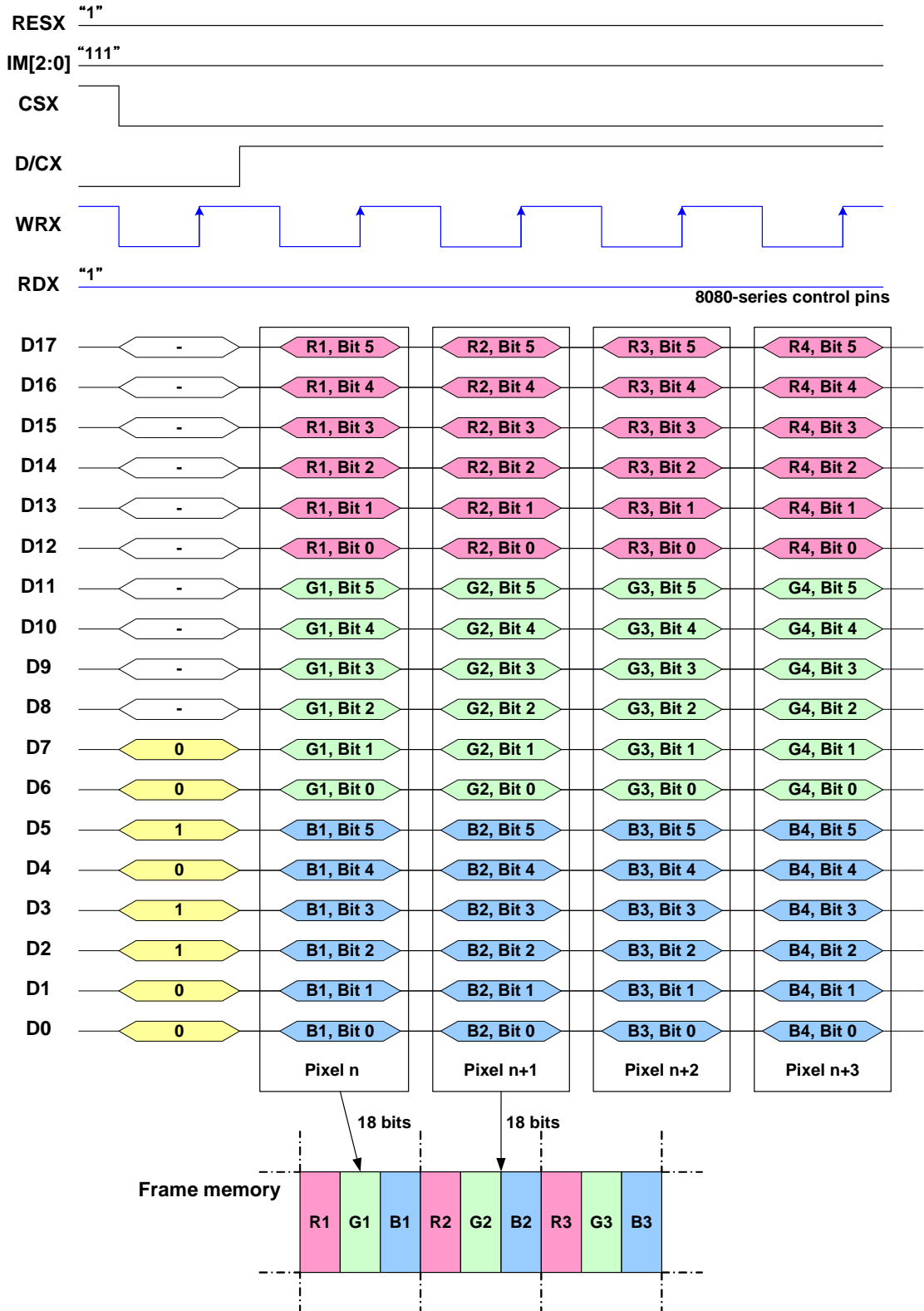
Note1. The data order is as follows, MSB=D15, LSB=D0 and picture data is MSB=Bit 5, LSB=Bit 0 for Green, and MSB=Bit 4, LSB=Bit 0 for Red and Blue data.

Note 2:1-time transfer is used to transmit 1 pixel data with the 16-bit color depth information.

ST7715

9.7.14 18-bit data bus for 18-bit/pixel (RGB 6-6-6-bit input), 262K-Colors, 3AH="06h"

There is 1 pixel (3 sub-pixels) per 1 byte



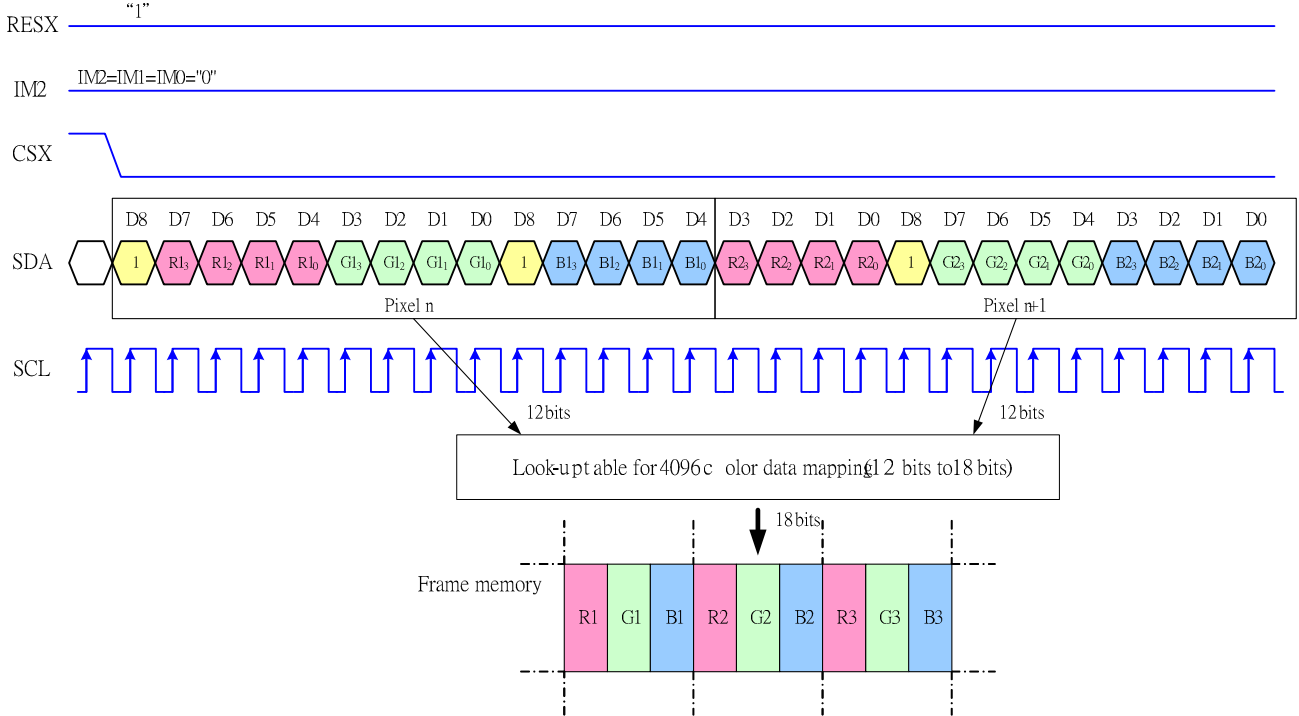
Note1. The data order is as follows, MSB=D17, LSB=D0 and picture data is MSB=Bit 5, LSB=Bit 0 for Read, Green and Blue data.

Note 2: 1-times transfer (D17 to D0) is used to transmit 1 pixel data with the 18-bit color depth information.

9.7.15 3-line serial Interface

Different display data formats are available for three colors depth supported by the LCM listed below.
 4k colors, RGB 4-4-4-bit input
 65k colors, RGB 5-6-5-bit input
 262k colors, RGB 6-6-6-bit input

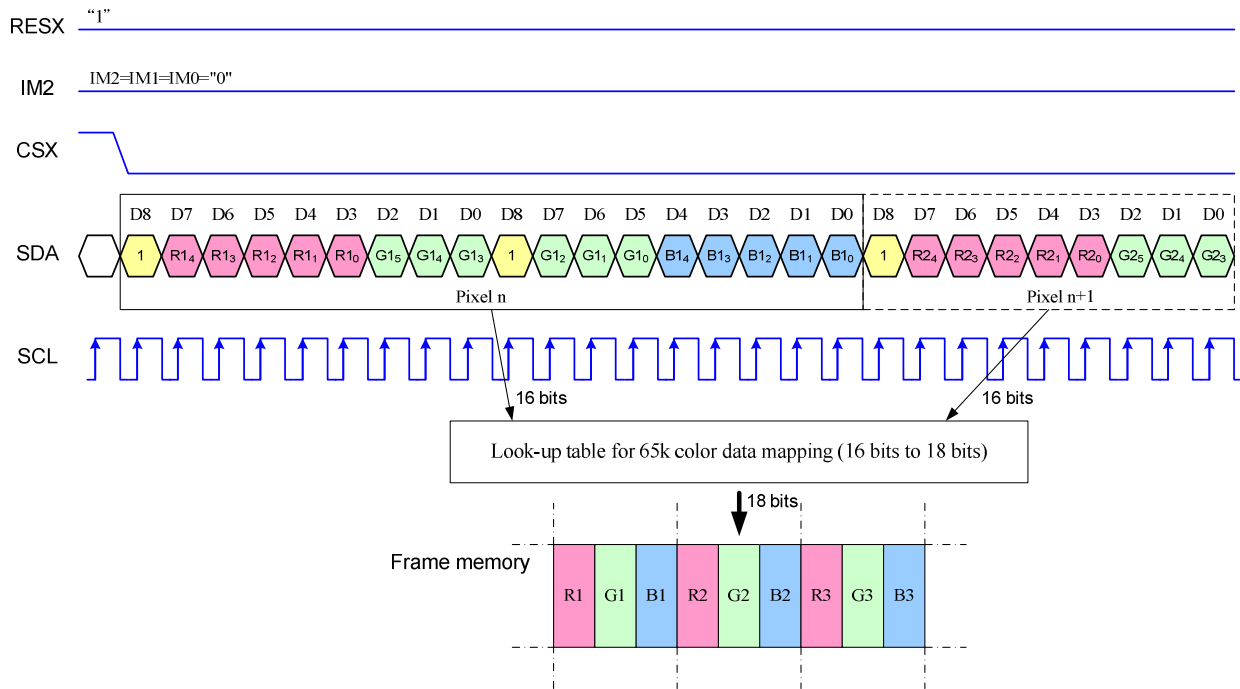
9.7.16 Write data for 12-bit/pixel (RGB 4-4-4-bit input), 4K-Colors, 3AH="03h"



Note 1: pixel data with the 12-bit color depth information
 Note 2: The most significant bits are: Rx3, Gx3 and Bx3
 Note 3: The least significant bits are: Rx0, Gx0 and Bx0

ST7715

9.7.17 Write data for 16-bit/pixel (RGB 5-6-5-bit input), 65K-Colors, 3AH="05h"



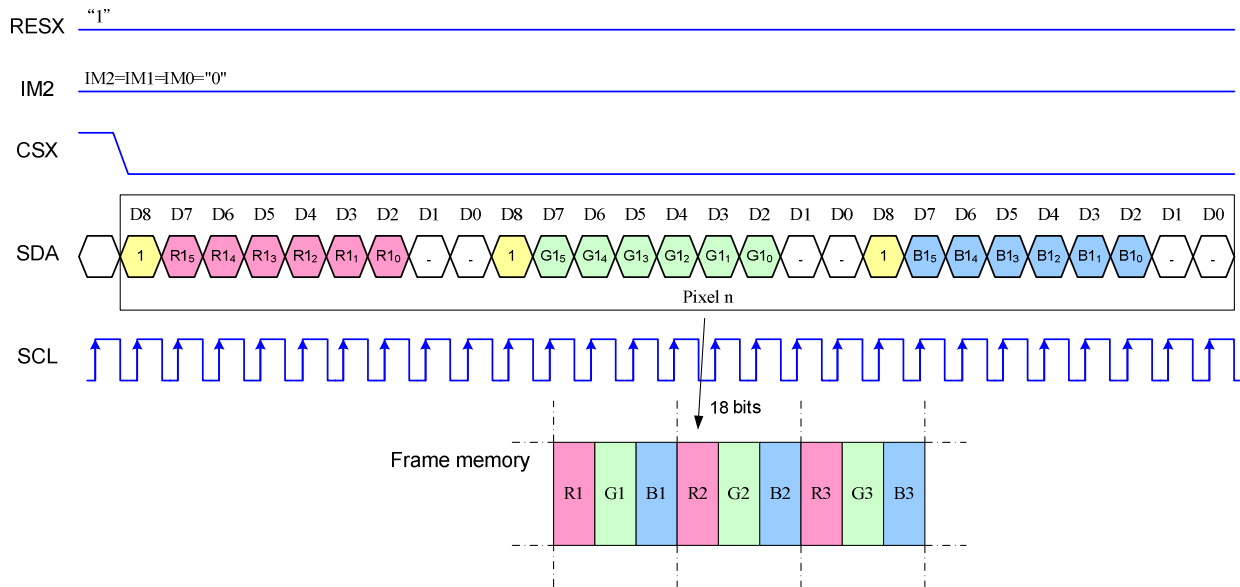
Note 1: pixel data with the 16-bit color depth information

Note 2: The most significant bits are: Rx4, Gx5 and Bx4

Note 3: The least significant bits are: Rx0, Gx0 and Bx0

ST7715

9.7.18 Write data for 18-bit/pixel (RGB 6-6-6-bit input), 262K-Colors, 3AH="06h"



Note 1: pixel data with the 18-bit color depth information

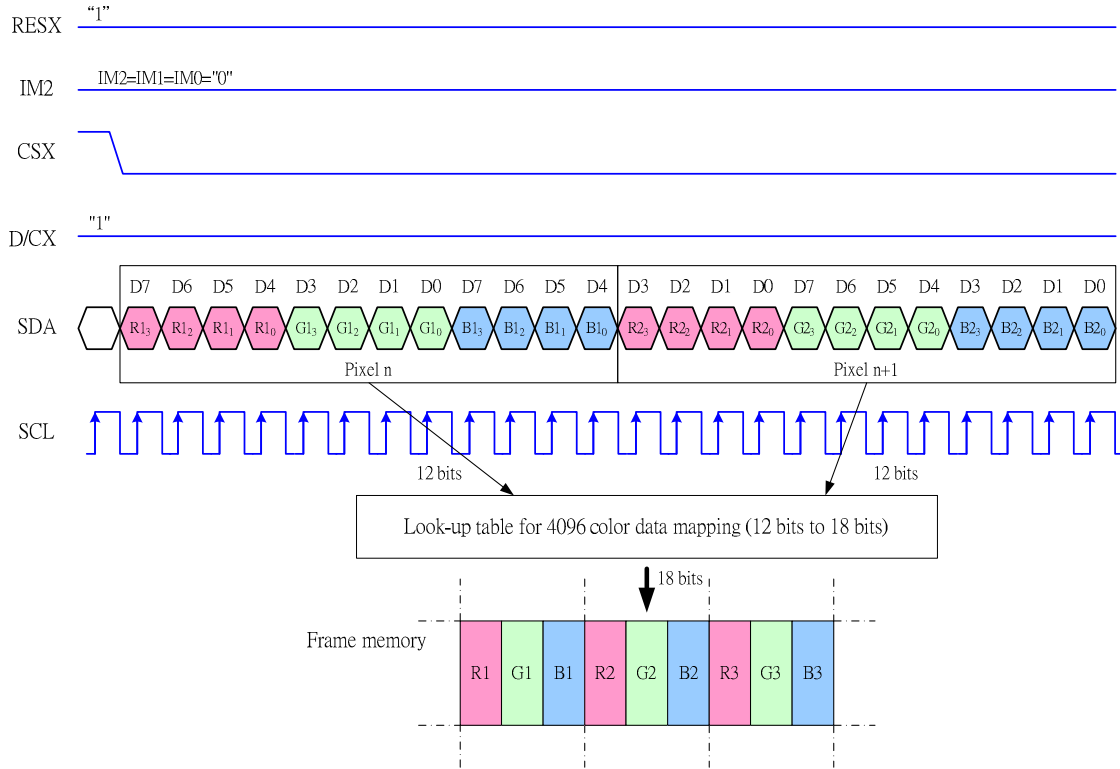
Note 2: The most significant bits are: Rx5, Gx5 and Bx5

Note 3: The least significant bits are: Rx0, Gx0 and Bx0

9.7.19 4-line serial Interface

Different display data formats are available for three colors depth supported by the LCM listed below.
 4k colors, RGB 4-4-4-bit input
 65k colors, RGB 5-6-5-bit input
 262k colors, RGB 6-6-6-bit input

9.7.20 Write data for 12-bit/pixel (RGB 4-4-4-bit input), 4K-Colors, 3AH="03h"

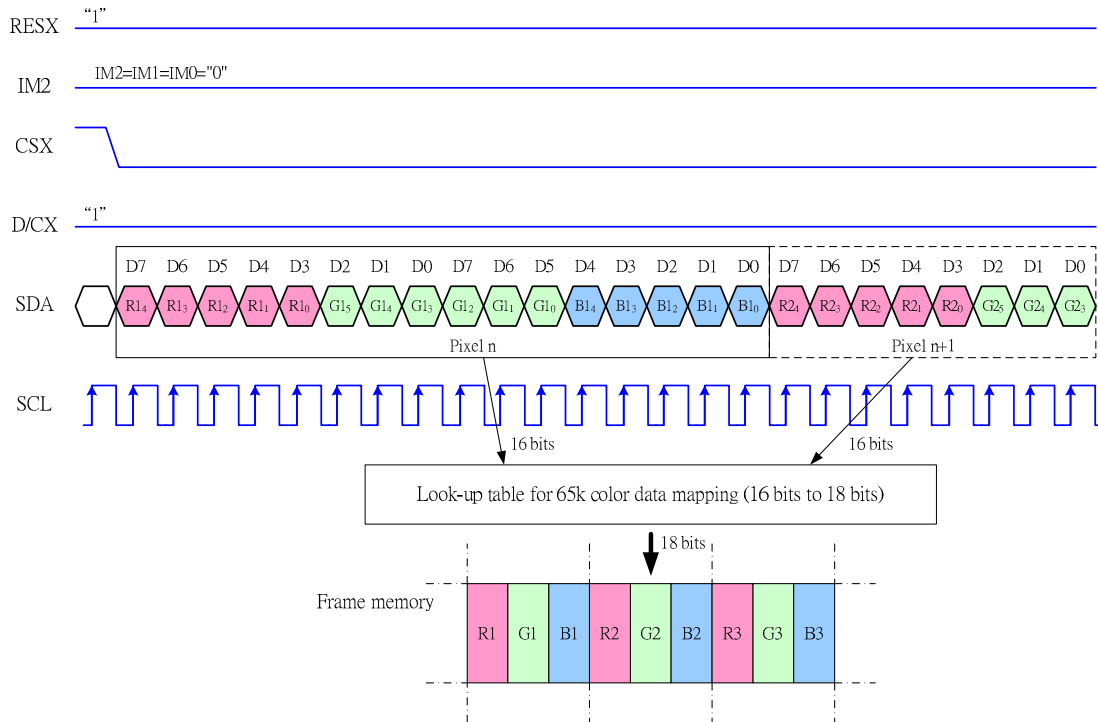


Note 1: pixel data with the 12-bit color depth information

Note 2: The most significant bits are: Rx3, Gx3 and Bx3

Note 3: The least significant bits are: Rx0, Gx0 and Bx0

9.7.21 Write data for 16-bit/pixel (RGB 5-6-5-bit input), 65K-Colors, 3AH="05h"

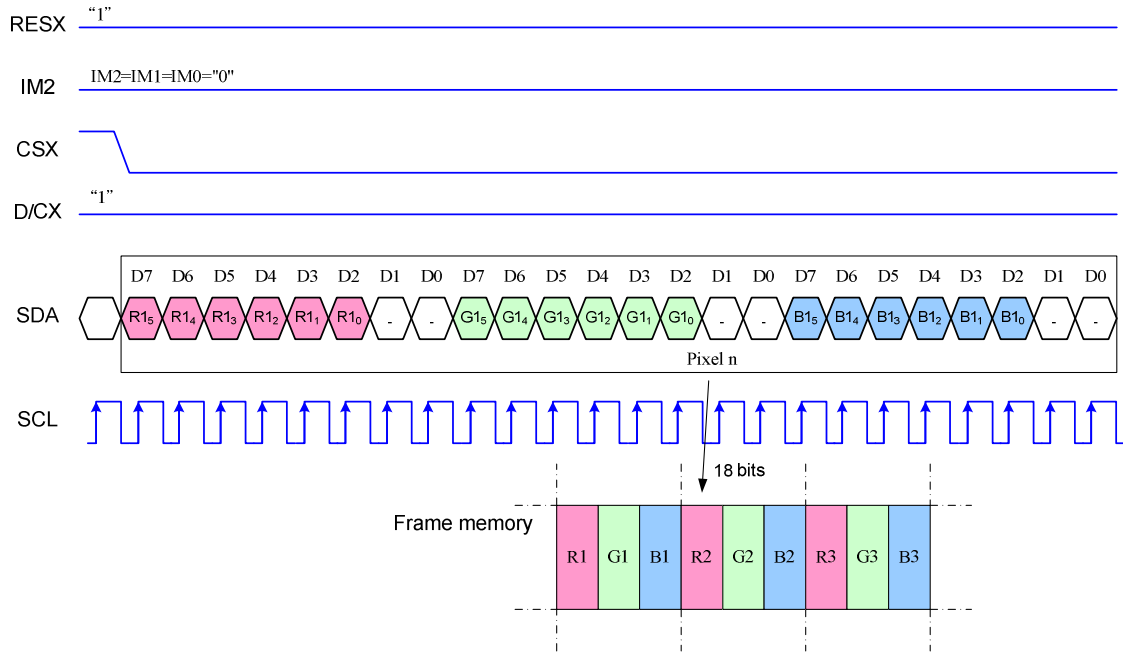


Note 1: pixel data with the 16-bit color depth information

Note 2: The most significant bits are: Rx4, Gx5 and Bx4

Note 3: The least significant bits are: Rx0, Gx0 and Bx0

9.7.22 Write data for 18-bit/pixel (RGB 6-6-6-bit input), 262K-Colors, 3AH="06h"



Note 1: pixel data with the 18-bit color depth information

Note 2: The most significant bits are: Rx5, Gx5 and Bx5

Note 3: The least significant bits are: Rx0, Gx0 and Bx0

9.8 Display Data RAM

9.8.1 Configuration (GM[2:0] = "001")

The display module has an integrated 132x132x18-bit graphic type static RAM. This 313,632-bit memory allows storing on-chip a 132xRGBx132 image with an 18-bpp resolution (262K-color). There will be no abnormal visible effect on the display when there is a simultaneous Panel Read and Interface Read or Write to the same location of the Frame Memory.

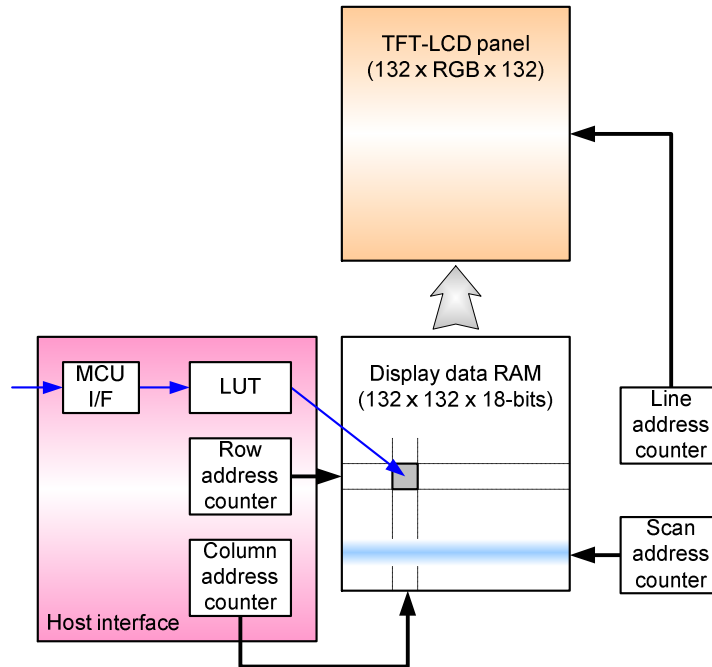
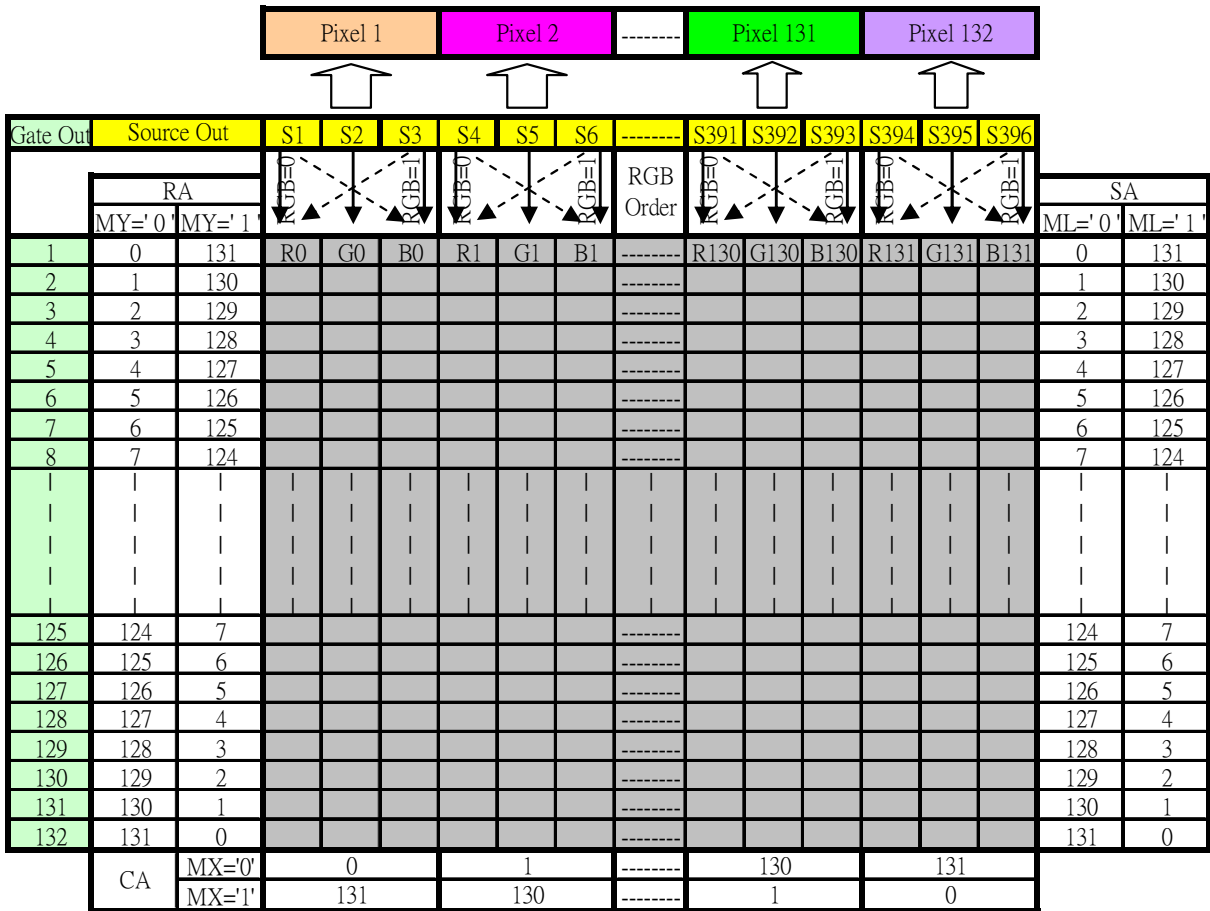


Fig. 9.8.1 Display data RAM organization

ST7715

9.8.2 Memory to Display Address Mapping

9.8.3 When using 132RGB x 132 resolution (GM[2:0] = "001", SMX=SMY=SRGB= '0')



Note

RA = Row Address,

CA = Column Address

SA = Scan Address

MX = Mirror X-axis (Column address direction parameter), D6 parameter of MADCTL command

MY = Mirror Y-axis (Row address direction parameter), D7 parameter of MADCTL command

ML = Scan direction parameter, D4 parameter of MADCTL command

RGB = Red, Green and Blue pixel position change, D3 parameter of MADCTL command

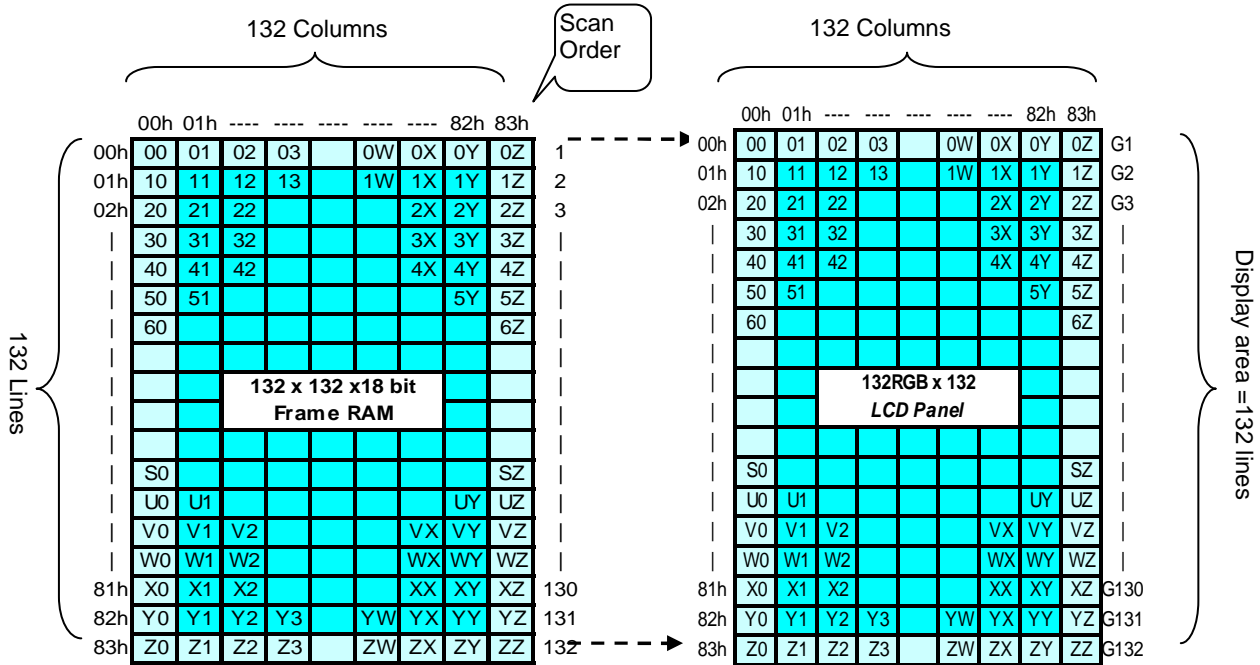
9.8.4 Normal Display On or Partial Mode On

9.8.5 When using 132RGB x 132 resolution (GM[2:0] = "001")

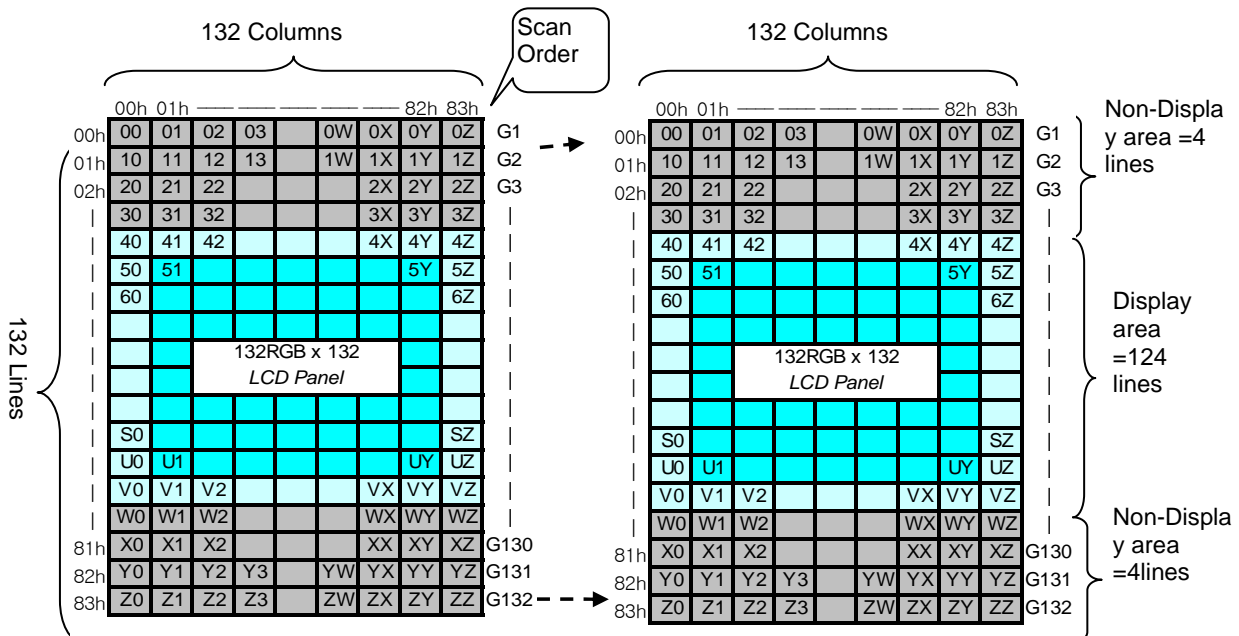
In this mode, contents of the frame memory within an area where column pointer is 00h to 83h and page pointer is 00h to 83h is displayed.

To display a dot on leftmost top corner, store the dot data at (column pointer, row pointer) = (0, 0)

1). Example for Normal Display On (MX=MY=ML='0', SMX=SMY='0')



2). Example for Partial Display On (PSL[7:0]=04h, PEL[7:0]=7Ch, MX=MV=ML='0', SMX=SMY='0')



9.9 Address Counter

The address counter sets the addresses of the display data RAM for writing and reading.

Data is written pixel-wise into the RAM matrix of DRIVER. The data for one pixel or two pixels is collected (RGB 6-6-6-bit), according to the data formats. As soon as this pixel-data information is complete the "Write access" is activated on the RAM. The locations of RAM are addressed by the address pointers. The address ranges are X=0 to X=131 (83h) and Y=0 to Y=131 (83h). Addresses outside these ranges are not allowed. Before writing to the RAM, a window must be defined that will be written. The window is programmable via the command registers XS, YS designating the start address and XE, YE designating the end address.

For example the whole display contents will be written, the window is defined by the following values: XS=0 (0h) YS=0 (0h) and XE=127 (83h), YE=131 (83h).

In vertical addressing mode (MV=1), the Y-address increments after each byte, after the last Y-address (Y=YE), Y wraps around to YS and X increments to address the next column. In horizontal addressing mode (V=0), the X-address increments after each byte, after the last X-address (X=XE), X wraps around to XS and Y increments to address the next row. After the every last address (X=XE and Y=YE) the address pointers wrap around to address (X=XS and Y=YS).

For flexibility in handling a wide variety of display architectures, the commands "CASET, RASET and MADCTL" (see section 10 command list), define flags MX and MY, which allows mirroring of the X-address and Y-address. All combinations of flags are allowed. Section 9.10 show the available combinations of writing to the display RAM. When MX, MY and MV will be changed the data must be rewritten to the display RAM.

For each image condition, the controls for the column and row counters apply as section 9.10 below

Condition	Column Counter	Row Counter
When RAMWR/RAMRD command is accepted	Return to "Start Column (XS)"	Return to "Start Row (YS)"
Complete Pixel Read / Write action	Increment by 1	No change
The Column counter value is larger than "End Column (XE)"	Return to "Start Column (XS)"	Increment by 1
The Column counter value is larger than "End Column (XE)" and the Row counter value is larger than "End Row (YE)"	Return to "Start Column (XS)"	Return to "Start Row (YS)"

9.10 Memory Data Write/ Read Direction

The data is written in the order illustrated above. The Counter which dictates where in the physical memory the data is to be written is controlled by “Memory Data Access Control” Command, bits B5 (MV), B6 (MX), B7 (MY) as described below.

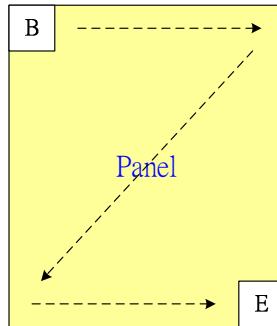


Fig. 9.10.1 Data streaming order

9.10.1 When 132RGBx132 (GM= “001”)

MV	MX	MY	CASET	RASET
0	0	0	Direct to Physical Column Pointer	Direct to Physical Row Pointer
0	0	1	Direct to Physical Column Pointer	Direct to (131-Physical Row Pointer)
0	1	0	Direct to (131-Physical Column Pointer)	Direct to Physical Row Pointer
0	1	1	Direct to (131-Physical Column Pointer)	Direct to (131-Physical Row Pointer)
1	0	0	Direct to Physical Row Pointer	Direct to Physical Column Pointer
1	0	1	Direct to (131-Physical Row Pointer)	Direct to Physical Column Pointer
1	1	0	Direct to Physical Row Pointer	Direct to (131-Physical Column Pointer)
1	1	1	Direct to (131-Physical Row Pointer)	Direct to (131-Physical Column Pointer)

Note: Data is always written to the Frame Memory in the same order, regardless of the Memory Write Direction set by MADCTL bits B7 (MY), B6 (MX), B5 (MV). The write order for each pixel unit is

D17	D16	D15	D14	D13	D12	D11	D10	D9	D8	D7	D6	D5	D4	D3	D2	D1	D0
R5	R4	R3	R2	R1	R0	G5	G4	G3	G2	G1	G0	B5	B4	B3	B2	B1	B0

One pixel unit represents 1 column and 1page counter value on the Frame Memory.

9.10.2 Frame Data Write Direction According to the MADCTL parameters (MV, MX and MY)

Display Data Direction	MADCTL Parameter			Image in the Host (MPU)	Image in the Driver (DDRAM)
	MV	MX	MY		
Normal	0	0	0		
Y-Mirror	0	0	1		
X-Mirror	0	1	0		
X-Mirror Y-Mirror	0	1	1		
X-Y Exchange	1	0	0		
X-Y Exchange Y-Mirror	1	0	1		
X-Y Exchange X-Mirror	1	1	0		
X-Y Exchange X-Mirror Y-Mirror	1	1	1		

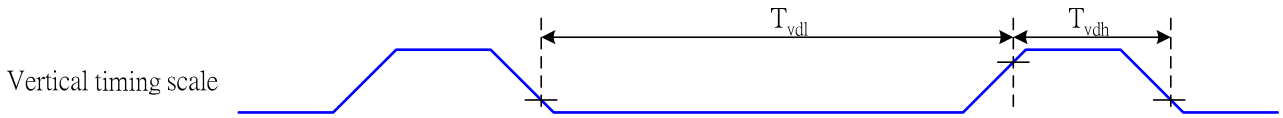
ST7715

9.11 Tearing Effect Output Line

The Tearing Effect output line supplies to the MPU a Panel synchronization signal. This signal can be enabled or disabled by the Tearing Effect Line Off & On commands. The mode of the Tearing Effect signal is defined by the parameter of the Tearing Effect Line On command. The signal can be used by the MPU to synchronize Frame Memory Writing when displaying video images.

9.11.1 Tearing Effect Line Modes

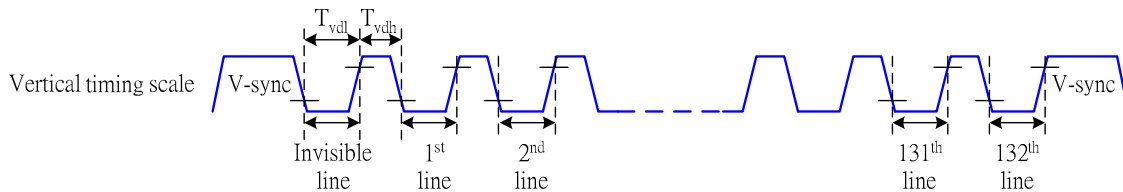
Mode 1, the Tearing Effect Output signal consists of V-Blanking Information only:



tvdh= The LCD display is not updated from the Frame Memory

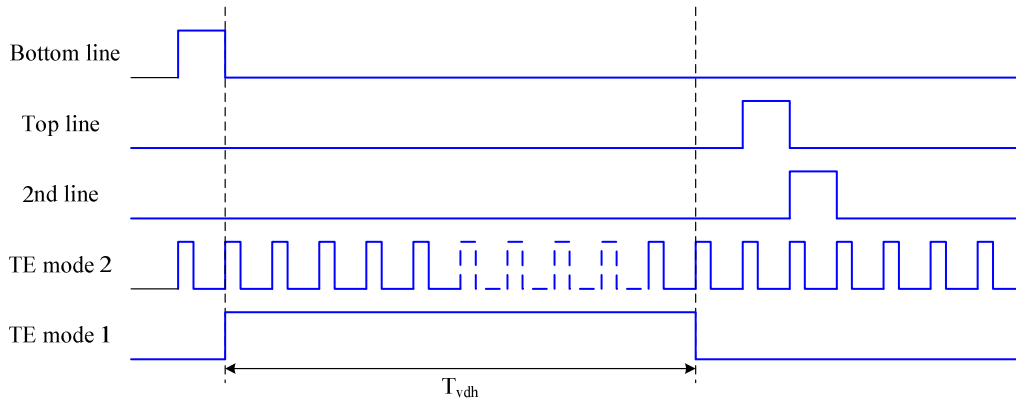
tvdl= The LCD display is updated from the Frame Memory (except Invisible Line – see above)

Mode 2, the Tearing Effect Output signal consists of V-Blanking and H-Blanking Information, there is one V-sync and 132 H-sync pulses per field.



thdh= The LCD display is not updated from the Frame Memory

thdl= The LCD display is updated from the Frame Memory (except Invisible Line – see above)



Note: During Sleep In Mode, the Tearing Output Pin is active Low.

9.11.2 Tearing Effect Line Timings

The Tearing Effect signal is described below:

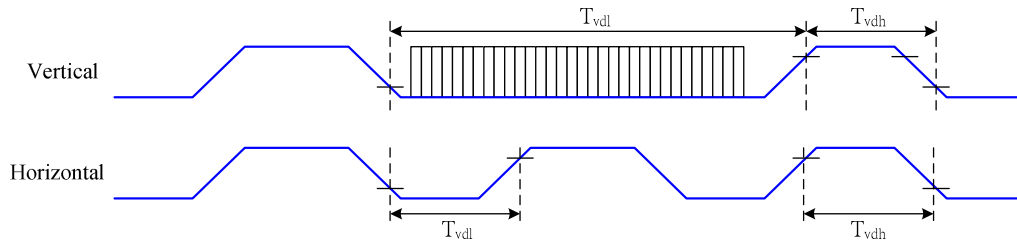
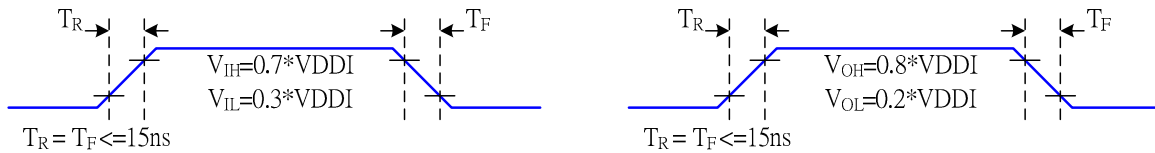


Table 9.11.1 AC characteristics of Tearing Effect Signal Idle Mode Off (Frame Rate = 60 Hz, $T_a=25^\circ\text{C}$)

Symbol	Parameter	min	max	unit	description
tvdl	Vertical Timing Low Duration	13	-	ms	
tvdh	Vertical Timing High Duration	1000	-	μs	
thdl	Horizontal Timing Low Duration	33	-	μs	
thdh	Horizontal Timing High Duration	25	500	μs	

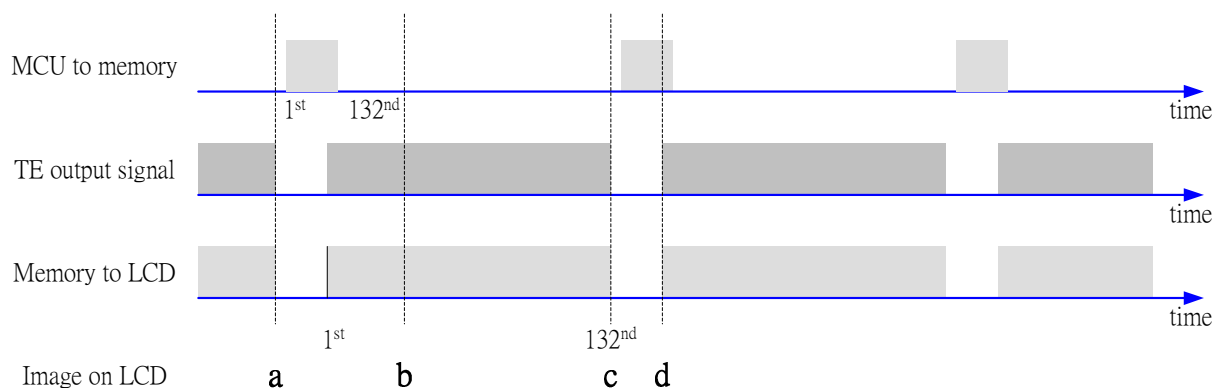
NOTE: The timings in Table 9.11.1 apply when MADCTL ML=0 and ML=1

The signal's rise and fall times (t_f , t_r) are stipulated to be equal to or less than 15ns.

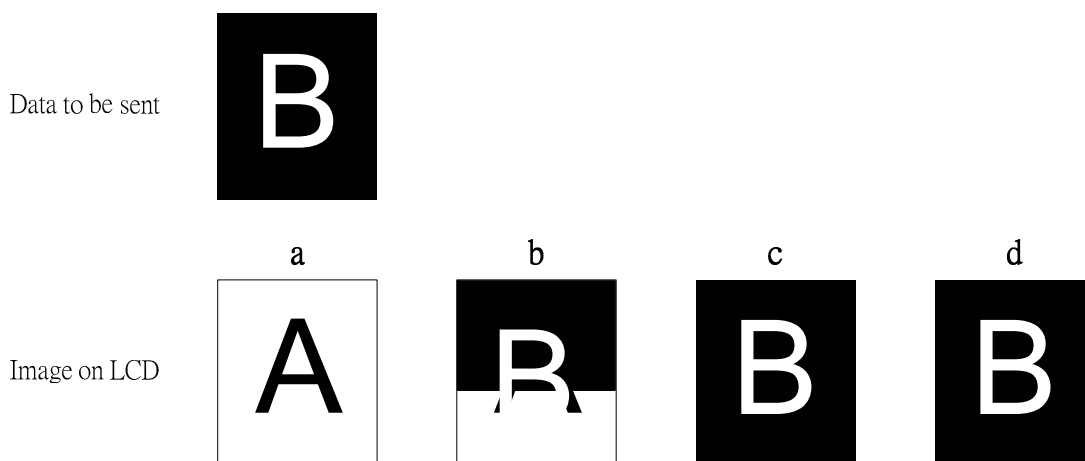


The Tearing Effect Output Line is fed back to the MPU and should be used as shown below to avoid Tearing Effect:

9.11.3 Example 1: MPU Write is faster than panel read

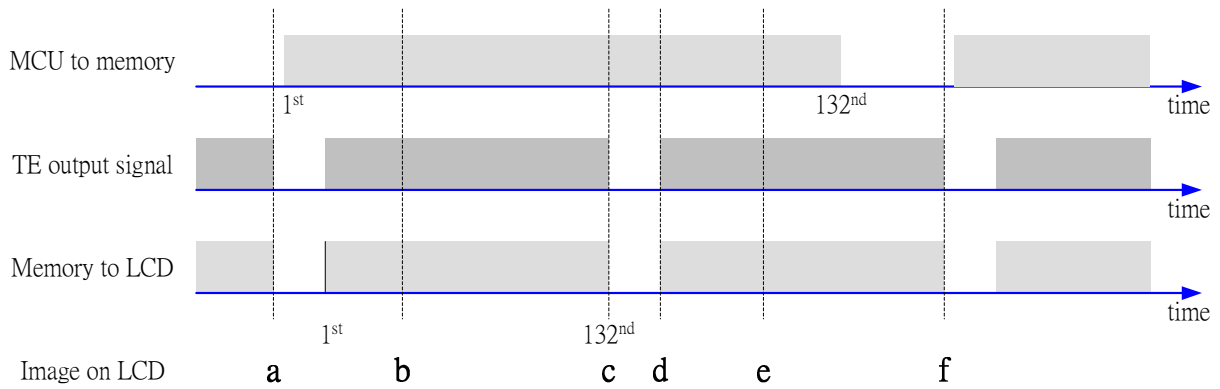


Data write to Frame Memory is now synchronized to the Panel Scan. It should be written during the vertical sync pulse of the Tearing Effect Output Line. This ensures that data is always written ahead of the panel scan and each Panel Frame refresh has a complete new image:

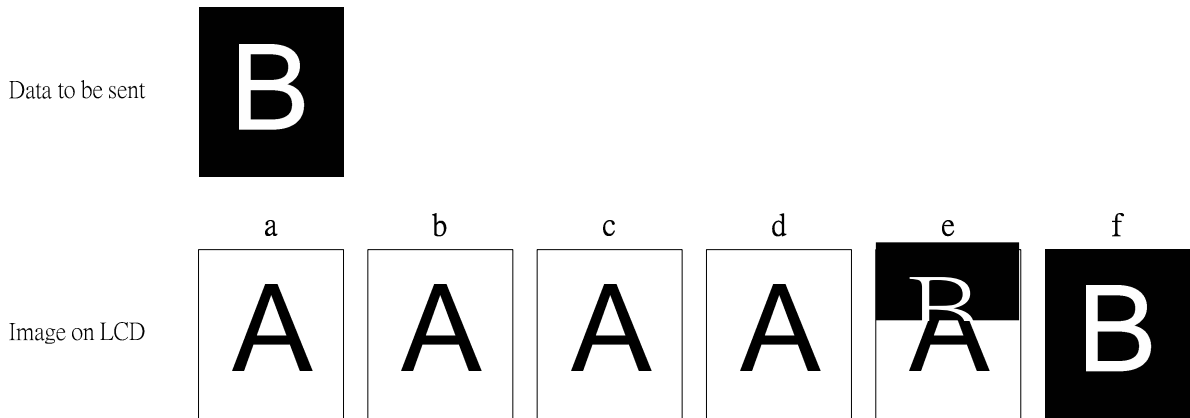


ST7715

9.11.4 Example 2: MPU write is slower than panel read



The MPU to Frame Memory write begins just after Panel Read has commenced i.e. after one horizontal sync pulse of the Tearing Effect Output Line. This allows time for the image to download behind the Panel Read pointer and finishing download during the subsequent Frame before the Read Pointer “catches” the MPU to Frame memory write position.



9.12 Power ON/OFF Sequence

VDDI and VDD can be applied in any order.

VDDI and VDD can be powered down in any order.

During power off, if LCD is in the Sleep Out mode, VDD and VDDI must be powered down minimum 120msec after RESX has been released.

During power off, if LCD is in the Sleep In mode, VDDI or VDD can be powered down minimum 0msec after RESX has been released.

CSX can be applied at any timing or can be permanently grounded. RESX has priority over CSX.

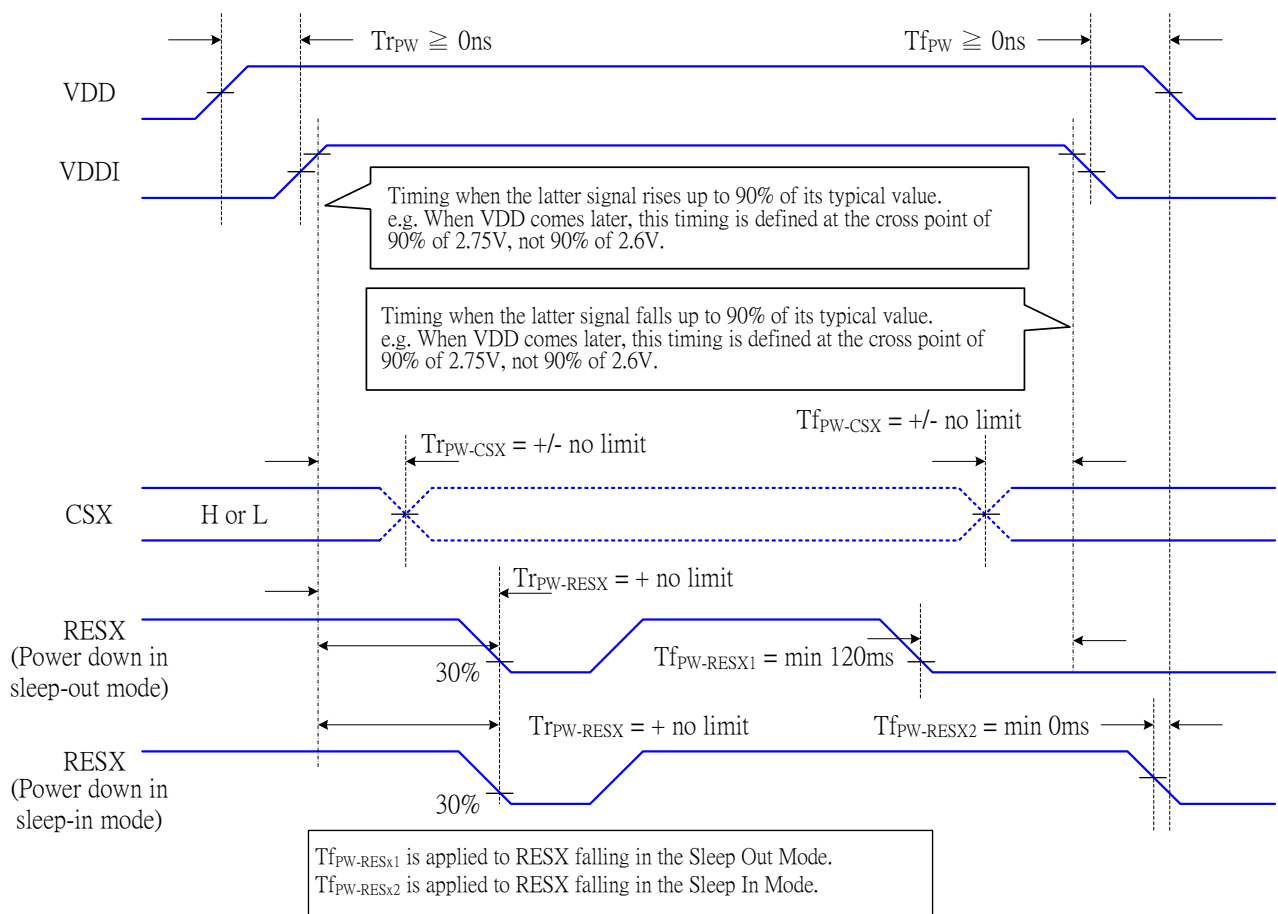
Note 1: There will be no damage to the display module if the power sequences are not met.

Note 2: There will be no abnormal visible effects on the display panel during the Power On/Off Sequences.

Note 3: There will be no abnormal visible effects on the display between end of Power On Sequence and before receiving Sleep Out command. Also between receiving Sleep In command and Power Off Sequence.

Note 4: If RESX line is not held stable by host during Power On Sequence as defined in the sequence below, then it will be necessary to apply a Hardware Reset (RESX) after Host Power On Sequence is complete to ensure correct operation. Otherwise function is not guaranteed.

The power on/off sequence is illustrated below



9.12.1 Uncontrolled Power Off

The uncontrolled power-off means a situation which removed a battery without the controlled power off sequence. It will neither damage the module or the host interface.

If uncontrolled power-off happened, the display will go blank and there will not any visible effect on the display (blank display) and remains blank until "Power On Sequence" powers it up.

9.13 Power Level Definition

9.13.1 Power Level

6 level modes are defined they are in order of Maximum Power consumption to Minimum Power Consumption

1. Normal Mode On (full display), Idle Mode Off, Sleep Out.

In this mode, the display is able to show maximum 262,144 colors.

2. Partial Mode On, Idle Mode Off, Sleep Out.

In this mode part of the display is used with maximum 262,144 colors.

3. Normal Mode On (full display), Idle Mode On, Sleep Out.

In this mode, the full display area is used but with 8 colors.

4. Partial Mode On, Idle Mode On, Sleep Out.

In this mode, part of the display is used but with 8 colors.

5. Sleep In Mode

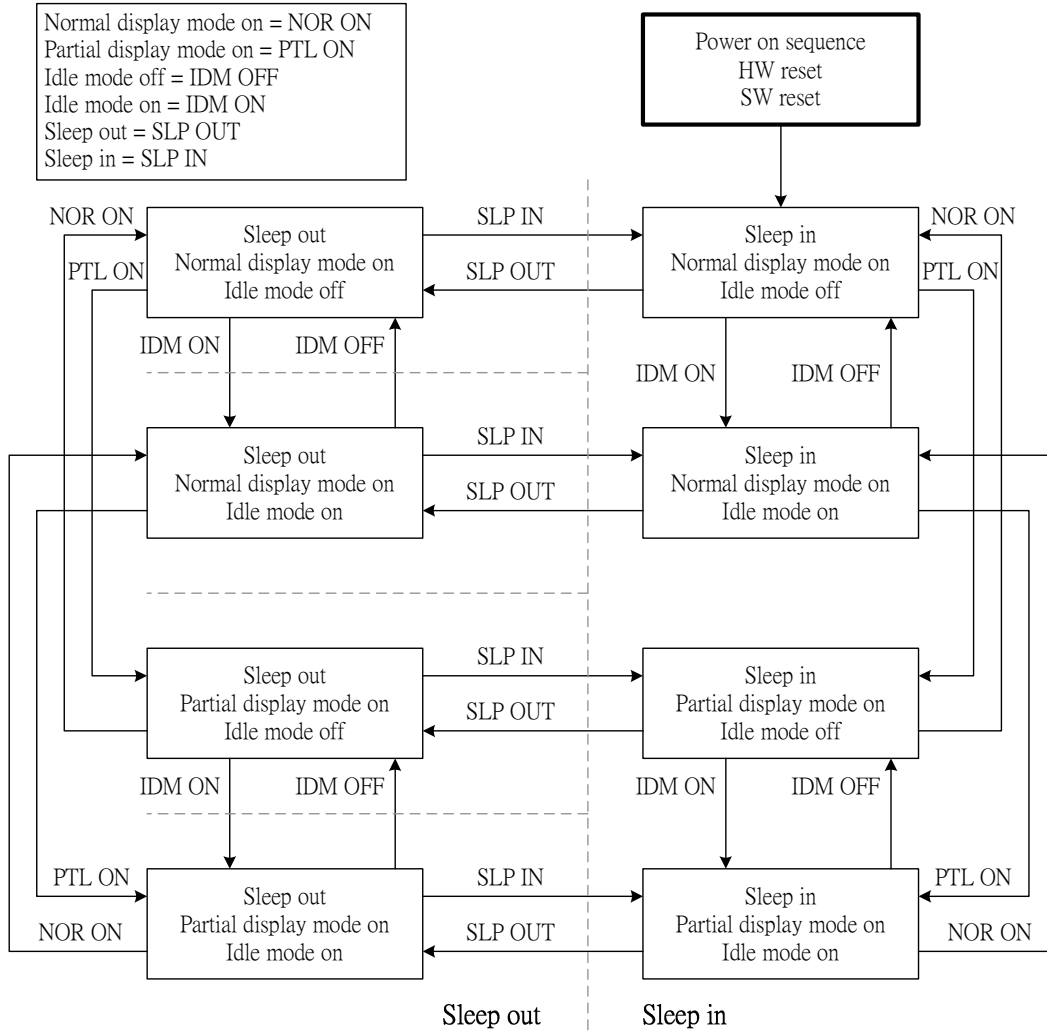
In this mode, the DC: DC converter, internal oscillator and panel driver circuit are stopped. Only the MCU interface and memory works with VDDI power supply. Contents of the memory are safe.

6. Power Off Mode

In this mode, both VDD and VDDI are removed.

Note: Transition between modes 1-5 is controllable by MCU commands. Mode 6 is entered only when both Power supplies are removed.

9.13.2 Power Flow Chart



ST7715

9.14 Reset Table

9.14.1 Reset Table (GM[2:0]= "001", 132RGB x 132)

Item	After Power On	After H/W Reset	After S/W Reset
Frame memory	Random	No Change	No Change
Sleep In/Out	In	In	In
Display On/Off	Off	Off	Off
Display mode (normal/partial)	Normal	Normal	Normal
Display Inversion On/Off	Off	Off	Off
Display Idle Mode On/Off	Off	Off	Off
Column: Start Address (XS)	0000h	0000h	0000h
Column: End Address (XE)	0083h	0083h	0083h (131d) (when MV=0) 0083h (131d) (when MV=1)
Row: Start Address (YS)	0000h	0000h	0000h
Row: End Address (YE)	0083h	0083h	0083h (131d) (when MV=0) 0083h (131d) (when MV=1)
Gamma setting	GC0	GC0	GC0
RGB for 4k and 65k Color Mode	See Section 9.17	See Section 9.17	No Change
Partial: Start Address (PSL)	0000h	0000h	0000h
Partial: End Address (PEL)	0083h	0083h	0083h
Tearing: On/Off	Off	Off	Off
Tearing Effect Mode (*1)	0 (Mode1)	0 (Mode1)	0 (Mode1)
Memory Data Access Control (MY/MX/MV/ML/RGB)	0/0/0/0/0	0/0/0/0/0	No Change
Interface Pixel Color Format	6 (18-Bit/Pixel)	6 (18-Bit/Pixel)	No Change
RDDPM	08h	08h	08h
RDDMADCTL	00h	00h	No Change
RDDCOLMOD	6 (18-Bit/Pixel)	6 (18-Bit/Pixel)	No Change
RDDIM	00h	00h	00h
RDDSM	00h	00h	00h
ID2	NV value	NV value	NV value
ID3	NV value	NV value	NV value

Note 1: TE Mode 1 means Tearing Effect Output Line consists of V-Blanking Information only.

ST7715

9.15 Module Input/Output Pins

9.15.1 Output or Bi-directional (I/O) Pins

Output or Bi-directional pins	After Power On	After Hardware Reset	After Software Reset
TE	Low	Low	Low
D7 to D0 (Output driver)	High-Z (Inactive)	High-Z (Inactive)	High-Z (Inactive)

Input pins	During Power On Process	After Power On	After Hardware Reset	After Software Reset	During Power Off Process
RESX	See 9.15	Input valid	Input valid	Input valid	See 9.15
CSX	Input invalid	Input valid	Input valid	Input valid	Input invalid
D/CX	Input invalid	Input valid	Input valid	Input valid	Input invalid
WRX	Input invalid	Input valid	Input valid	Input valid	Input invalid
RDX	Input invalid	Input valid	Input valid	Input valid	Input invalid
D7 to D0	Input invalid	Input valid	Input valid	Input valid	Input invalid

Note: There will be no output from D7-D0 during Power On/Off sequence, Hardware Reset and Software Reset.

9.16 Reset Timing

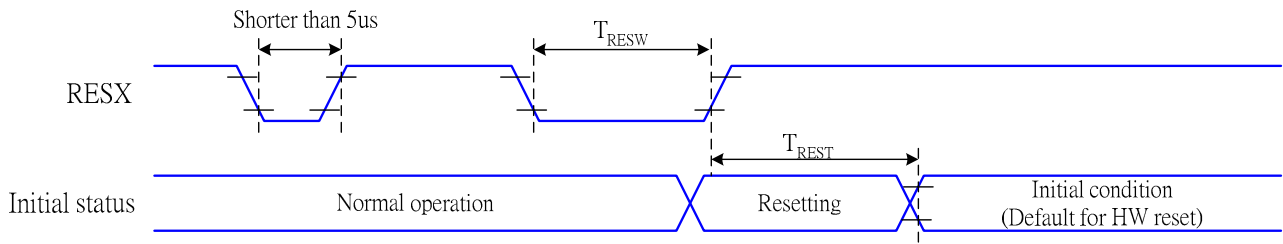


Table 9.16.1 Reset timing

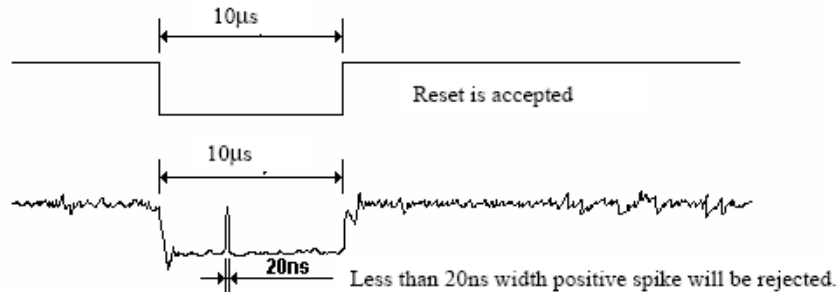
Related Pins	Symbol	Parameter	MIN	MAX	Unit
RESX	tRESW	Reset pulse duration	10	-	us
	tREST	Reset cancel	-	5	ms
				120	ms

Notes:

1. The reset cancel includes also required time for loading ID bytes, VCOM setting and other settings from EEPROM (or similar device) to registers. This loading is done every time when there is HW reset cancel time (tRT) within 5 ms after a rising edge of RESX.
2. Spike due to an electrostatic discharge on RESX line does not cause irregular system reset according to the table below:

RESX Pulse	Action
Shorter than 5us	Reset Rejected
Longer than 9us	Reset
Between 5us and 9us	Reset starts

3. During the Resetting period, the display will be blanked (The display is entering blanking sequence, which maximum time is 120 ms, when Reset Starts in Sleep Out –mode. The display remains the blank state in Sleep In -mode.) and then return to Default condition for Hardware Reset.
4. Spike Rejection also applies during a valid reset pulse as shown below:



5. When Reset applied during Sleep In Mode.
6. When Reset applied during Sleep Out Mode.
7. It is necessary to wait 5msec after releasing RESX before sending commands. Also Sleep Out command cannot be sent for 120msec.

ST7715

9.17 Color Depth Conversion Look Up Tables

9.17.1 65536 Color to 262,144 Color

Color	Look Up Table Output Frame Memory Data (6-bits)	Default value after H/W Reset	RGBSET Parameter	Look Up Table Input Data
				65k Color (5-bits)
RED	R005 R004 R003 R002 R001 R000	000000	1	00000
	R015 R014 R013 R012 R011 R010	000010	2	00001
	R025 R024 R023 R022 R021 R020	000100	3	00010
	R035 R034 R033 R032 R031 R030	000110	4	00011
	R045 R044 R043 R042 R041 R040	001000	5	00100
	R055 R054 R053 R052 R051 R050	001010	6	00101
	R065 R064 R063 R062 R061 R060	001100	7	00110
	R075 R074 R073 R072 R071 R070	001110	8	00111
	R085 R084 R083 R082 R081 R080	010000	9	01000
	R095 R094 R093 R092 R091 R090	010010	10	01001
	R105 R104 R103 R102 R101 R100	010100	11	01010
	R115 R114 R113 R112 R111 R110	010110	12	01011
	R125 R124 R123 R122 R121 R120	011000	13	01100
	R135 R134 R133 R132 R131 R130	011010	14	01101
	R145 R144 R143 R142 R141 R140	011100	15	01110
	R155 R154 R153 R152 R151 R150	011110	16	01111
	R165 R164 R163 R162 R161 R160	100001	17	10000
	R175 R174 R173 R172 R171 R170	100011	18	10001
	R185 R184 R183 R182 R181 R180	100101	19	10010
	R195 R194 R193 R192 R191 R190	100111	20	10011
	R205 R204 R203 R202 R201 R200	101001	21	10100
	R215 R214 R213 R212 R211 R210	101011	22	10101
	R225 R224 R223 R222 R221 R220	101101	23	10110
	R235 R234 R233 R232 R231 R230	101111	24	10111
	R245 R244 R243 R242 R241 R240	110001	25	11000
	R255 R254 R253 R252 R251 R250	110011	26	11001
	R265 R264 R263 R262 R261 R260	110101	27	11010
	R275 R274 R273 R272 R271 R270	110111	28	11011
	R285 R284 R283 R282 R281 R280	111001	29	11100
	R295 R294 R293 R292 R291 R290	111011	30	11101
	R305 R304 R303 R302 R301 R300	111101	31	11110
	R315 R314 R313 R312 R311 R310	111111	32	11111

Color	Look Up Table Output Frame Memory Data (6-bits)	Default value after H/W Reset	RGBSET Parameter	Look Up Table Input Data
				65k Color (5-bits)
GREEN	G005 G004 G003 G002 G001 G000	000000	33	000000
	G015 G014 G013 G012 G011 G010	000001	34	000001
	G025 G024 G023 G022 G021 G020	000010	35	000010
	G035 G034 G033 G032 G031 G030	000011	36	000011
	G045 G044 G043 G042 G041 G040	000100	37	000100
	G055 G054 G053 G052 G051 G050	000101	38	000101
	G065 G064 G063 G062 G061 G060	000110	39	000110
	G075 G074 G073 G072 G071 G070	000111	40	000111
	G085 G084 G083 G082 G081 G080	001000	41	001000
	G095 G094 G093 G092 G091 G090	001001	42	001001
	G105 G104 G103 G102 G101 G100	001010	43	001010
	G115 G114 G113 G112 G111 G110	001011	44	001011
	G125 G124 G123 G122 G121 G120	001100	45	001100
	G135 G134 G133 G132 G131 G130	001101	46	001101
	G145 G144 G143 G142 G141 G140	001110	47	001110
	G155 G154 G153 G152 G151 G150	001111	48	001111
	G165 G164 G163 G162 G161 G160	010000	49	010000
	G175 G174 G173 G172 G171 G170	010001	50	010001
	G185 G184 G183 G182 G181 G180	010010	51	010010
	G195 G194 G193 G192 G191 G190	010011	52	010011
G205 G204 G203 G202 G201 G200	010100	53	010100	

ST7715

G215 G214 G213 G212 G211 G210	010101	54	010101
G225 G224 G223 G222 G221 G220	010110	55	010110
G235 G234 G233 G232 G231 G230	010111	56	010111
G245 G244 G243 G242 G241 G240	011000	57	011000
G255 G254 G253 G252 G251 G250	011001	58	011001
G265 G264 G263 G262 G261 G260	011010	59	011010
G275 G 274 G273 G272 G271 G270	011011	60	011011
G285 G 284 G283 G282 G281 G280	011100	61	011100
G295 G 294 G293 G292 G291 G290	011101	62	011101
G305 G 304 G303 G302 G301 G300	011110	63	011110
G315 G 314 G313 G312 G311 G310	011111	64	011111
G325 G324 G323 G322 G321 G320	100000	65	100000
G335 G334 G333 G332 G331 G330	100001	66	100001
G345 G344 G343 G342 G341 G340	100010	67	100010
G355 G354 G353 G352 G351 G350	100011	68	100011
G365 G364 G363 G362 G361 G360	100100	69	100100
G375 G374 G373 G372 G371 G370	100101	70	100101
G385 G384 G383 G382 G381 G380	100110	71	100110
G395 G394 G393 G392 G391 G390	100111	72	100111
G405 G404 G403 G402 G401 G400	101000	73	101000
G415 G414 G413 G412 G411 G410	101001	74	101001
G425 G424 G423 G422 G421 G420	101010	75	101010
G435 G434 G433 G432 G431 G430	101011	76	101011
G445 G444 G443 G442 G441 G440	101100	77	101100
G455 G454 G453 G452 G451 G450	101101	78	101101
G465 G464 G463 G462 G461 G460	101110	79	101110
G475 G474 G473 G472 G471 G470	101111	80	101111
G485 G484 G483 G482 G481 G480	110000	81	110000
G495 G494 G493 G492 G491 G490	110001	82	110001
G505 G504 G503 G502 G501 G500	110010	83	110010
G515 G514 G513 G512 G511 G510	110011	84	110011
G525 G524 G523 G522 G521 G520	110100	85	110100
G535 G534 G533 G532 G531 G530	110101	86	110101
G545 G544 G543 G542 G541 G540	110110	87	110110
G555 G554 G553 G552 G551 G550	110111	88	110111
G565 G564 G563 G562 G561 G560	111000	89	111000
G575 G574 G573 G572 G571 G570	111001	90	111001
G585 G584 G583 G582 G581 G580	111010	91	111010
G595 G594 G593 G592 G591 G590	111011	92	111011
G605 G604 G603 G602 G601 G600	111100	93	111100
G615 G614 G613 G612 G611 G610	111101	94	111101
G625 G624 G623 G622 G621 G620	111110	95	111110
G635 G634 G633 G632 G631 G630	111111	96	111111

Color	Look Up Table Output Frame Memory Data (6-bits)	Default value after H/W Reset	RGBSET Parameter	Look Up Table Input Data
				65k Color (5-bits)
BLUE	B005 B004 B003 B002 B001 B000	000000	97	00000
	B015 B014 B013 B012 B011 B010	000010	98	00001
	B025 B024 B023 B022 B021 B020	000100	99	00010
	B035 B034 B033 B032 B031 B030	000110	100	00011
	B045 B044 B043 B042 B041 B040	001000	101	00100
	B055 B054 B053 B052 B051 B050	001010	102	00101
	B065 B064 B063 B062 B061 B060	001100	103	00110
	B075 B074 B073 B072 B071 B070	001110	104	00111
	B085 B084 B083 B082 B081 B080	010000	105	01000
	B095 B094 B093 B092 B091 B090	010010	106	01001
	B105 B104 B103 B102 B101 B100	010100	107	01010
	B115 B114 B113 B112 B111 B110	010110	108	01011
	B125 B124 B123 B122 B121 B120	011000	109	01100
	B135 B134 B133 B132 B131 B130	011010	110	01101
	B145 B144 B143 B142 B141 B140	011100	111	01110
	B155 B154 B153 B152 B151 B150	011110	112	01111
B165 B164 B163 B162 B161 B160	100001	113	10000	

ST7715

B175 B174 B173 B172 B171 B170	100011	114	10001
B185 B184 B183 B182 B181 B180	100101	115	10010
B195 B194 B193 B192 B191 B190	100111	116	10011
B205 B204 B203 B202 B201 B200	101001	117	10100
B215 B214 B213 B212 B211 B210	101011	118	10101
B225 B224 B223 B222 B221 B220	101101	119	10110
B235 B234 B233 B232 B231 B230	101111	120	10111
B245 B244 B243 B242 B241 B240	110001	121	11000
B255 B254 B253 B252 B251 B250	110011	122	11001
B265 B264 B263 B262 B261 B260	110101	123	11010
B275 B274 B273 B272 B271 B270	110111	124	11011
B285 B284 B283 B282 B281 B280	111001	125	11100
B295 B294 B293 B292 B291 B290	111011	126	11101
B305 B304 B303 B302 B301 B300	111101	127	11110
B315 B314 B313 B312 B311 B310	111111	128	11111

ST7715

9.17.2 4096 Color to 262,144 Color

Color	Look Up Table Output Frame Memory Data (6-bits)	Default value after H/W Reset	RGBSET Parameter	Look Up Table Input Data
				4k Color (4-bits)
RED	R005 R004 R003 R002 R001 R000	000000	1	0000
	R015 R014 R013 R012 R011 R010	000100	2	0001
	R025 R024 R023 R022 R021 R020	001000	3	0010
	R035 R034 R033 R032 R031 R030	001100	4	0011
	R045 R044 R043 R042 R041 R040	010001	5	0100
	R055 R054 R053 R052 R051 R050	010101	6	0101
	R065 R064 R063 R062 R061 R060	011001	7	0110
	R075 R074 R073 R072 R071 R070	011101	8	0111
	R085 R084 R083 R082 R081 R080	100010	9	1000
	R095 R094 R093 R092 R091 R090	100110	10	1001
	R105 R104 R103 R102 R101 R100	101010	11	1010
	R115 R114 R113 R112 R111 R110	101110	12	1011
	R125 R124 R123 R122 R121 R120	110011	13	1100
	R135 R134 R133 R132 R131 R130	110111	14	1101
	R145 R144 R143 R142 R141 R140	111011	15	1110
	R155 R154 R153 R152 R151 R150	111111	16	1111
	R165 R164 R163 R162 R161 R160	-----	17	Not used
R315 R314 R313 R312 R311 R310	-----	32		
GREEN	G005 G004 G003 G002 G001 G000	000000	33	0000
	G015 G014 G013 G012 G011 G010	000100	34	0001
	G025 G024 G023 G022 G021 G020	001000	35	0010
	G035 G034 G033 G032 G031 G030	001100	36	0011
	G045 G044 G043 G042 G041 G040	010001	37	0100
	G055 G054 G053 G052 G051 G050	010101	38	0101
	G065 G064 G063 G062 G061 G060	011001	39	0110
	G075 G074 G073 G072 G071 G070	011101	40	0111
	G085 G084 G083 G082 G081 G080	100010	41	1000
	G095 G094 G093 G092 G091 G090	100110	42	1001
	G105 G104 G103 G102 G101 G100	101010	43	1010
	G115 G114 G113 G112 G111 G110	101110	44	1011
	G125 G124 G123 G122 G121 G120	110011	45	1100
	G135 G134 G133 G132 G131 G130	110111	46	1101
	G145 G144 G143 G142 G141 G140	111011	47	1110
	G155 G154 G153 G152 G151 G150	111111	48	1111
	G165 G164 G163 G162 G161 G160	-----	49	Not used
G635 G634 G633 G632 G631 G630	-----	96		
BLUE	B005 B004 B003 B002 B001 B000	000000	97	0000
	B015 B014 B013 B012 B011 B010	000100	98	0001
	B025 B024 B023 B022 B021 B020	001000	99	0010
	B035 B034 B033 B032 B031 B030	001100	100	0011
	B045 B044 B043 B042 B041 B040	010001	101	0100
	B055 B054 B053 B052 B051 B050	010101	102	0101
	B065 B064 B063 B062 B061 B060	011001	103	0110
	B075 B074 B073 B072 B071 B070	011101	104	0111
	B085 B084 B083 B082 B081 B080	100010	105	1000
	B095 B094 B093 B092 B091 B090	100110	106	1001
	B105 B104 B103 B102 B101 B100	101010	107	1010
	B115 B114 B113 B112 B111 B110	101110	108	1011
	B125 B124 B123 B122 B121 B120	110011	109	1100
	B135 B134 B133 B132 B131 B130	110111	110	1101
	B145 B144 B143 B142 B141 B140	111011	111	1110
	B155 B154 B153 B152 B151 B150	111111	112	1111
	B165 B164 B163 B162 B161 B160	-----	113	Not used
B315 B314 B313 B312 B311 B310	-----	128		

ST7715

10 Command

10.1 System function Command List and Description

Table 10.1.1 System Function command List (1)

Instruction	Refer	D/CX	WRX	RDX	D17-8	D7	D6	D5	D4	D3	D2	D1	D0	Hex	Function
NOP	10.1.1	0	↑	1	-	0	0	0	0	0	0	0	0	(00h)	No Operation
SWRESET	10.1.2	0	↑	1	-	0	0	0	0	0	0	0	1	(01h)	Software reset
RDDID	10.1.3	0	↑	1	-	0	0	0	0	0	1	0	0	(04h)	Read Display ID
		1	1	↑	-	-	-	-	-	-	-	-	-		Dummy read
		1	1	↑	-	ID17	ID16	ID15	ID14	ID13	ID12	ID11	ID10		ID1 read
		1	1	↑	-	1	ID26	ID25	ID24	ID23	ID22	ID21	ID20		ID2 read
		1	1	↑	-	ID37	ID36	ID35	ID34	ID33	ID32	ID31	ID30		ID3 read
RDDST	10.1.4	0	↑	1	-	0	0	0	0	1	0	0	1	(09h)	Read Display Status
		1	1	↑	-	-	-	-	-	-	-	-	-		Dummy read
		1	1	↑	-	BSTON	MY	MX	MV	ML	RGB	0	ST24		-
		1	1	↑	-	ST23	IFPF2	IFPF1	IFPF0	IDMON	PTLON	SLOUT	NORON		-
		1	1	↑	-	VSSON	ST14	INVON	ST12	ST11	DISON	TEON	GCS2		-
		1	1	↑	-	GCS1	GCS0	TELON	ST4	ST3	ST2	ST1	ST0		-
RDDPM	10.1.5	0	↑	1	-	0	0	0	0	1	0	1	0	(0Ah)	Read Display Power Mode
		1	1	↑	-	-	-	-	-	-	-	-	-		Dummy read
		1	1	↑	-	BSTON	IDMON	PTLON	SLPOUT	NORON	DISON	-	-		-
RDD MADCTL	10.1.6	0	↑	1	-	0	0	0	0	1	0	1	1	(0Bh)	Read Display MADCTL
		1	1	↑	-	-	-	-	-	-	-	-	-		Dummy read
		1	1	↑	-	MY	MX	MV	ML	RGB	0	-	-		-
RDD COLMOD	10.1.7	0	↑	1	-	0	0	0	0	1	1	0	0	(0Ch)	Read Display Pixel Format
		1	1	↑	-	-	-	-	-	-	-	-	-		Dummy read
		1	1	↑	-	0	0	0	0	-	IFPF2	IFPF1	IFPF0		-
RDDIM	10.1.8	0	↑	1	-	0	0	0	0	1	1	0	1	(0Dh)	Read Display Image Mode
		1	1	↑	-	-	-	-	-	-	-	-	-		Dummy read
		1	1	↑	-	VSSON	D6	INVON	-	-	GCS2	GCS1	GCS0		-
RDDSM	10.1.9	0	↑	1	-	0	0	0	0	1	1	1	0	(0Eh)	Read Display Signal Mode
		1	1	↑	-	-	-	-	-	-	-	-	-		Dummy read
		1	1	↑	-	TEON	TELON	-	-	-	-	-	-		-

“-”: Don't care

Table 10.1.2 System Function command List (2)

Instruction	Refer	D/C X	WR X	RDX	D17- 8	D7	D6	D5	D4	D3	D2	D1	D0	Hex	Function
SLPIN	10.1.10	0	↑	1	-	0	0	0	1	0	0	0	0	(10h)	Sleep in & booster off
SLPOUT	10.1.11	0	↑	1	-	0	0	0	1	0	0	0	1	(11h)	Sleep out & booster on
PTLON	10.1.12	0	↑	1	-	0	0	0	1	0	0	1	0	(12h)	Partial mode on
NORON	10.1.13	0	↑	1	-	0	0	0	1	0	0	1	1	(13h)	Partial off (Normal)
INVOFF	10.1.14	0	↑	1	-	0	0	1	0	0	0	0	0	(20h)	Display inversion off (normal)
INVON	10.1.15	0	↑	1	-	0	0	1	0	0	0	0	1	(21h)	Display inversion on
GAMSET	10.1.16	0	↑	1	-	0	0	1	0	0	1	1	0	(26h)	Gamma curve select
		1	↑	1	-	-	-	-	-	-	GC3	GC2	GC1	GC0	-
DISPOFF	10.1.17	0	↑	1	-	0	0	1	0	1	0	0	0	(28h)	Display off
DISPON	10.1.18	0	↑	1	-	0	0	1	0	1	0	0	1	(29h)	Display on
CASET	10.1.19	0	↑	1	-	0	0	1	0	1	0	1	0	(2Ah)	Column address set
		1	↑	1	-	-	-	-	-	-	-	-	-	-	X address start: $0 \leq S \leq X$
		1	↑	1	-	-	-	-	-	-	-	-	-	-	X address end: $XS \leq XE \leq X$
		1	↑	1	-	XE7	XE6	XE5	XE4	XE3	XE2	XE1	XE0	-	-
RASET	10.1.20	0	↑	1	-	0	0	1	0	1	0	1	1	(2Bh)	Row address set
		1	↑	1	-	-	-	-	-	-	-	-	-	-	Y address start: $0 \leq YS \leq Y$
		1	↑	1	-	-	-	-	-	-	-	-	-	-	Y address end: $S \leq YE \leq Y$
		1	↑	1	-	YE7	YE6	YE5	YE4	YE3	YE2	YE1	YE0	-	-
RAMWR	10.1.21	0	↑	1	-	0	0	1	0	1	1	0	0	(2Ch)	Memory write
		1	↑	1	-	D7	D6	D5	D4	D3	D2	D1	D0	-	Write data
RAMRD	10.1.22	0	↑	1	-	0	0	1	0	1	1	1	0	(2Eh)	Memory read
		1	1	↑	-	-	-	-	-	-	-	-	-	-	Dummy read
		1	1	↑	-	D7	D6	D5	D4	D3	D2	D1	D0	-	Read data

“-”: Don't care

Table 10.1.3 System Function command List (3)

Instruction	Refer	D/CX	WRX	RDX	D17-8	D7	D6	D5	D4	D3	D2	D1	D0	Hex	Function
PTLAR	10.1.23	0	↑	1	-	0	0	1	1	0	0	0	0	(30h)	Partial start/end address set
		1	↑	1	-	-	-	-	-	-	-	-	-		Partial start address (0,1,2, ..P)
		1	↑	1	-	PSL7	PSL6	PSL5	PSL4	PSL3	PSL2	PSL1	PSL0		
		1	↑	1	-	PEL7	PEL6	PEL5	PEL4	PEL3	PEL2	PEL1	PEL0		Partial end address (0,1,2, ..., P)
TEOFF	10.1.24	0	↑	1	-	0	0	1	1	0	1	0	0	(34h)	Tearing effect line off
TEON	10.1.25	0	↑	1	-	0	0	1	1	0	1	0	1	(35h)	Tearing effect mode set & on
		1	↑	1	-	-	-	-	-	-	-	-	TELOM		Mode1: TELOM="0" Mode2: TELOM="1"
MADCTL	10.1.26	0	↑	1	-	0	0	1	1	0	1	1	0	(36h)	Memory data access control
		1	↑	1	-	MY	MX	MV	ML	RGB	0	-	-		-
IDMOFF	10.1.27	0	↑	1	-	0	0	1	1	1	0	0	0	(38h)	Idle mode off
IDMON	10.1.28	0	↑	1	-	0	0	1	1	1	0	0	1	(39h)	Idle mode on
COLMOD	10.1.29	0	↑	1	-	0	0	1	1	1	0	1	0	(3Ah)	Interface pixel format
		1	↑	1	-	-	-	-	-	-	IFPF2	IFPF1	IFPF0		Interface format
RDID1	10.1.30	0	↑	1	-	1	1	0	1	1	0	1	0	(DAh)	Read ID1
		1	1	↑	-	-	-	-	-	-	-	-	-		Dummy read
		1	1	↑	-	ID17	ID16	ID15	ID14	ID13	ID12	ID11	ID10		Read parameter
RDID2	10.1.31	0	↑	1	-	1	1	0	1	1	0	1	1	(DBh)	Read ID2
		1	1	↑	-	-	-	-	-	-	-	-	-		Dummy read
		1	1	↑	-	1	ID26	ID25	ID24	ID23	ID22	ID21	ID20		Read parameter
RDID3	10.1.32	0	↑	1	-	1	1	0	1	1	1	0	0	(DCh)	Read ID3
		1	1	↑	-	-	-	-	-	-	-	-	-		Dummy read
		1	1	↑	-	ID37	ID36	ID35	ID34	ID33	ID32	ID31	ID30		Read parameter

"-": Don't care

Note 1: After the H/W reset by RESX pin or S/W reset by SWRESET command, each internal register becomes default state (Refer "RESET TABLE" section)

Note 2: Undefined commands are treated as NOP (00 h) command.

Note 3: B0 to D9 and DA to F are for factory use of driver supplier.

Note 4: Commands 10h, 12h, 13h, 20h, 21h, 26h, 28h, 29h, 30h, 36h (ML parameter only), 38h and 39h are updated during V-sync when Module is in Sleep Out Mode to avoid abnormal visual effects. During Sleep In mode, these commands are updated immediately. Read status (09h), Read Display Power Mode (0Ah), Read Display MADCTL (0Bh), Read Display Pixel Format (0Ch), Read Display Image Mode (0Dh), Read Display Signal Mode (0Eh) and Read Display Self Diagnostic Result (0Fh) of these commands are updated immediately both in Sleep In mode and Sleep Out mode.

ST7715

10.1.1 NOP (00h)

00H	NOP (No Operation)												
Inst / Para	D/CX	WRX	RDX	D17-8	D7	D6	D5	D4	D3	D2	D1	D0	HEX
NOP	0	↑	1	-	0	0	0	0	0	0	0	0	(00h)
Parameter	No Parameter												-
Description	This command is empty command.												

“-“ Don't care

10.1.2 SWRESET (01h): Software Reset

01H	SWRESET (Software Reset)												HEX
Inst / Para	D/CX	WRX	RDX	D17-8	D7	D6	D5	D4	D3	D2	D1	D0	HEX
SWRESET	0	↑	1	-	0	0	0	0	0	0	0	1	(01h)
Parameter	No Parameter												-
Description	<p>“-“ Don't care</p> <p>-If Software Reset is applied during Sleep In mode, it will be necessary to wait 120msec before sending next command.</p> <p>-The display module loads all default values to the registers during 120msec.</p> <p>-If Software Reset is applied during Sleep Out or Display On Mode, it will be necessary to wait 120msec before sending next command.</p>												
Flow Chart	<pre> graph TD A[/SWRESET/] --> B([Display whole blank screen]) B --> C{{Set Commands to S/W Default Value}} C --> D([Sleep In Mode]) </pre> <p>Legend</p> <ul style="list-style-type: none"> Command: Trapezoid Parameter: Parallelogram Display: Display shape Action: Action shape Mode: Mode shape Sequential transfer: Wavy bottom shape 												

10.1.3 RDDID (04h): Read Display ID

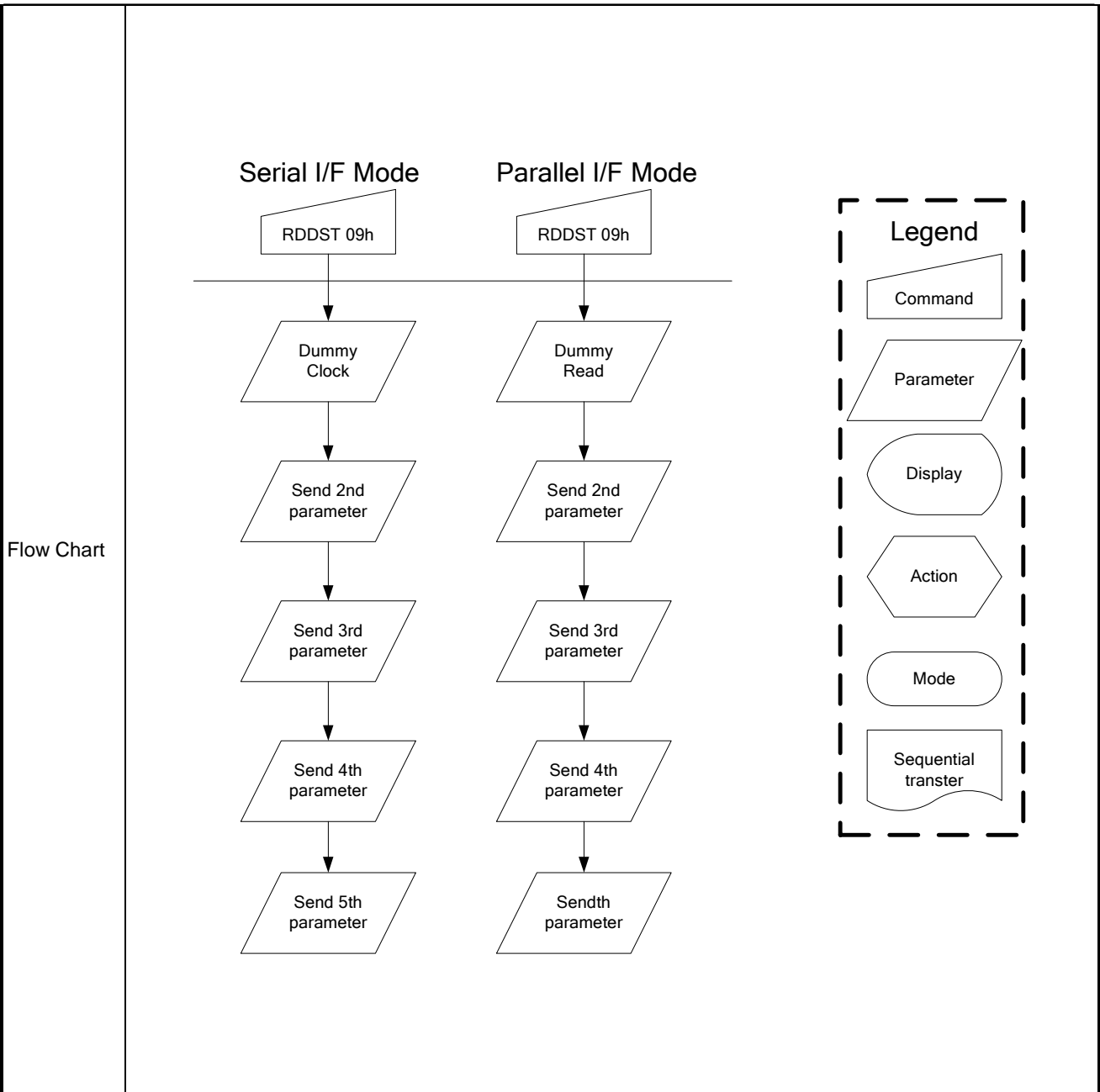
04H		RDDID (Read Display ID)																														
Inst / Para	D/CX	WRX	RDX	D17-8	D7	D6	D5	D4	D3	D2	D1	D0	HEX																			
RDDID	0	↑	1	-	0	0	0	0	0	1	0	0	(04h)																			
1 st parameter	1	1	↑	-	-	-	-	-	-	-	-	-	-																			
2 nd parameter	1	1	↑	-	ID17	ID16	ID15	ID14	ID13	ID12	ID11	ID10																				
3 rd parameter	1	1	↑	-	1	ID26	ID25	ID24	ID23	ID22	ID21	ID20																				
4 th parameter	1	1	↑	-	ID37	ID36	ID35	ID34	ID33	ID32	ID31	ID30																				
Description	<p>-This read byte returns 24-bit display identification information.</p> <p>-The 1st parameter is dummy data</p> <p>-The 2nd parameter (ID17 to ID10): LCD module's manufacturer ID.</p> <p>-The 3rd parameter (ID26 to ID20): LCD module/driver version ID</p> <p>-The 4th parameter (ID37 to UD30): LCD module/driver ID.</p> <p>- Commands RDID1/2/3(DAh, DBh, DCh) read data correspond to the parameters 2,3,4 of the command 04h, respectively.</p> <p>“-“ Don't care</p>																															
Default	<table border="1"> <thead> <tr> <th rowspan="2">Status</th> <th colspan="3">Default Value</th> </tr> <tr> <th>ID1</th> <th>ID2</th> <th>ID3</th> </tr> </thead> <tbody> <tr> <td>Power On Sequence</td> <td>-</td> <td>8xh</td> <td>00h</td> </tr> <tr> <td>S/W Reset</td> <td>-</td> <td>8xh</td> <td>00h</td> </tr> <tr> <td>H/W Reset</td> <td>-</td> <td>8xh</td> <td>00h</td> </tr> </tbody> </table>													Status	Default Value			ID1	ID2	ID3	Power On Sequence	-	8xh	00h	S/W Reset	-	8xh	00h	H/W Reset	-	8xh	00h
Status	Default Value																															
	ID1	ID2	ID3																													
Power On Sequence	-	8xh	00h																													
S/W Reset	-	8xh	00h																													
H/W Reset	-	8xh	00h																													
Flow Chart	<div style="display: flex; justify-content: space-around;"> <div style="text-align: center;"> <p>Serial I/F Mode</p> </div> <div style="text-align: center;"> <p>Parallel I/F Mode</p> </div> </div> <div style="margin-top: 20px;"> <p>Legend</p> <ul style="list-style-type: none"> Command Parameter Display Action Mode Sequential transfer </div>																															

10.1.4 RDDST (09h): Read Display Status

09H	RDDST (Read Display Status)												
Inst / Para	D/CX	WRX	RDX	D17-8	D7	D6	D5	D4	D3	D2	D1	D0	HEX
RDDST	0	↑	1	-	0	0	0	0	1	0	0	1	(09h)
1 st parameter	1	1	↑	-	-	-	-	-	-	-	-	-	-
2 nd parameter	1	1	↑	-	BSTON	MY	MX	MV	ML	RGB	0	ST24	
3 rd parameter	1	1	↑	-	ST23	IFPF2	IFPF1	IFPF0	IDMON	PTLON	SLOUT	NORON	
4 th parameter	1	1	↑	-	VSSON	ST14	INVON	ST12	ST11	DISON	TEON	GCS2	
5 th parameter	1	1	↑	-	GCS1	GCS0	TELOM	ST4	ST3	ST2	ST1	ST0	
Description	This command indicates the current status of the display as described in the table below:												
	Bit	Description		Value									
	BSTON	Booster Voltage Status		'1' =Booster on, '0' =Booster off									
	MY	Row Address Order (MY)		'1' =Decrement, (Bottom to Top, when MADCTL (36h) D7='1') '0' =Increment, (Top to Bottom, when MADCTL (36h) D7='0')									
	MX	Column Address Order (MX)		'1' =Decrement, (Right to Left, when MADCTL (36h) D6='1') '0' =Increment, (Left to Right, when MADCTL (36h) D6='1')									
	MV	Row/Column Exchange (MV)		'1' = Row/column exchange, (when MADCTL (36h) D5='1') '0' = Normal, (when MADCTL (36h) D5='0')									
	ML	Scan Address Order (ML)		'1'=Increment, (LCD refresh Bottom to Top, when MADCTL (36h) D4='1') '0' =Decrement, (LCD refresh Top to Bottom, when MADCTL (36h) D4='0')									
	RGB	RGB/ BGR Order (RGB)		'1' =BGR, (When MADCTL (36h) D3='1') '0' =RGB, (When MADCTL (36h) D3='0')									
	ST24	For Future Use		'0'									
	ST23	For Future Use		'0'									
	IFPF2	Interface Color Pixel Format Definition		"011" = 12-bit / pixel,									
	IFPF1			"101" = 16-bit / pixel,									
	IFPF0			"110" = 18-bit / pixel, others are no define									
	IDMON	Idle Mode On/Off		'1' = On, "0" = Off									
	PTLON	Partial Mode On/Off		'1' = On, "0" = Off									
	SLPOUT	Sleep In/Out		'1' = Out, "0" = In									
	NORON	Display Normal Mode On/Off		'1' = Normal Display, '0' = Partial Display									
	VSSON	Reversed		"0"									
	ST14	Reversed		'0'									
	INVON	Inversion Status		'1' = On, "0" = Off									
ST12	All Pixels On (Not Used)		'0'										
ST11	All Pixels Off (Not Used)		'0'										
DISON	Display On/Off		'1' = On, "0" = Off										

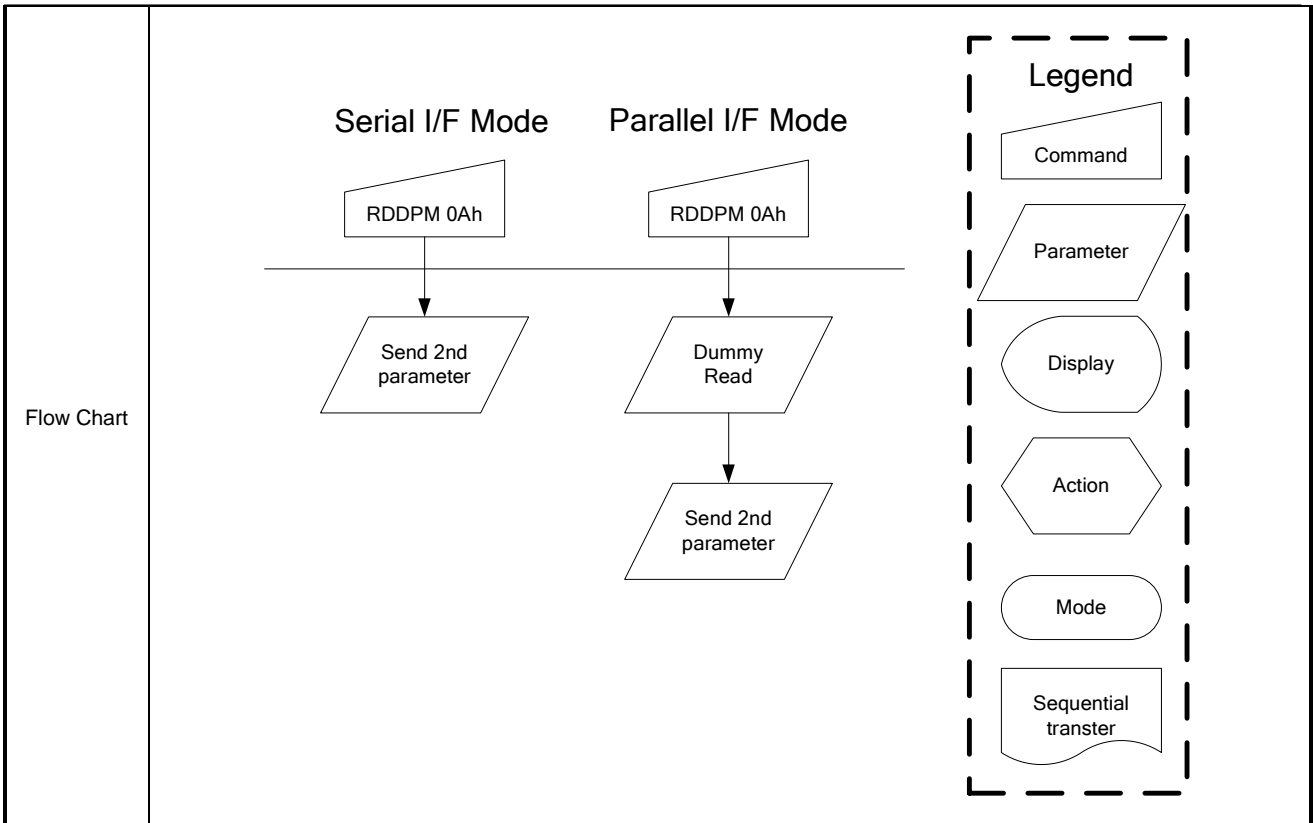
ST7715

	TEON	Tearing effect line on/off	'1' = On, '0' = Off			
	GCSEL2	Gamma Curve Selection	"000" = GC0			
	GCSEL1		"001" = GC1			
	GCSEL0		"010" = GC2			
			"011" = GC3			
			"100" to "111" = Not defined			
	TELOM	Tearing effect line mode	'0' = mode1, '1' = mode2			
	ST4	For Future Use	'0'			
	ST3	For Future Use	'0'			
	ST2	For Future Use	'0'			
	ST1	For Future Use	'0'			
ST0	For Future Use	'0'				
“-“ Don't care						
Default	Status	Default Value (ST31 to ST0)				
		ST[31-24]	ST[23-16]	ST[15-8]	ST[7-0]	
	Power On Sequence	0000-0000	0110-0001	0000-0000	0000-0000	
	S/W Reset	0xxx0xx00	0xxx-0001	0000-0000	0000-0000	
	H/W Reset	0000-0000	0110-0001	0000-0000	0000-0000	



10.1.5 RDDPM (0Ah): Read Display Power Mode

0AH	RDDPM (Read Display Power Mode)												
Inst / Para	D/CX	WRX	RDX	D17-8	D7	D6	D5	D4	D3	D2	D1	D0	HEX
RDDPM	0	↑	1	-	0	0	0	0	1	0	1	0	(0Ah)
1 st parameter	1	1	↑	-	-	-	-	-	-	-	-	-	-
2 nd parameter	1	1	↑		BSTON	IDMON	PTLON	SLPOUT	NORON	DISON	D1	D0	
Description	This command indicates the current status of the display as described in the table below: “-“ Don't care												
	Bit		Description							Value			
	BSTON		Booster Voltage Status							'1' =Booster on, '0' =Booster off			
	IDMON		Idle Mode On/Off							'1' = Idle Mode On, '0' = Idle Mode Off			
	PTLON		Partial Mode On/Off							'1' = Partial Mode On, '0' = Partial Mode Off			
	SLPON		Sleep In/Out							'1' = Sleep Out, '0' = Sleep In			
	NORON		Display Normal ModemOn/Off							'1' = Normal Display, '0' = Partial Display			
	DISON		Display On/Off							'1' = Display On, '0' = Display Off			
	D1		Not Used							'0'			
	D0		Not Used							'0'			
Default	Status							Default Value (D7 to D0)					
	Power On Sequence							0000_1000(08h)					
	S/W Reset							0000_1000(08h)					
	H/W Reset							0000_1000(08h)					



10.1.6 RDDMADCTL (0Bh): Read Display MADCTL

0BH	RDDMADCTL (Read Display MADCTL)												HEX
Inst / Para	D/CX	WRX	RDX	D17-8	D7	D6	D5	D4	D3	D2	D1	D0	
RDDMADCTL	0	↑	1	-	0	0	0	0	1	0	1	1	(0Bh)
1 st parameter	1	1	↑	-	-	-	-	-	-	-	-	-	-
2 nd parameter	1	1	↑		MY	MX	MV	ML	RGB	0	D1	D0	

This command indicates the current status of the display as described in the table below:

"-" Don't care

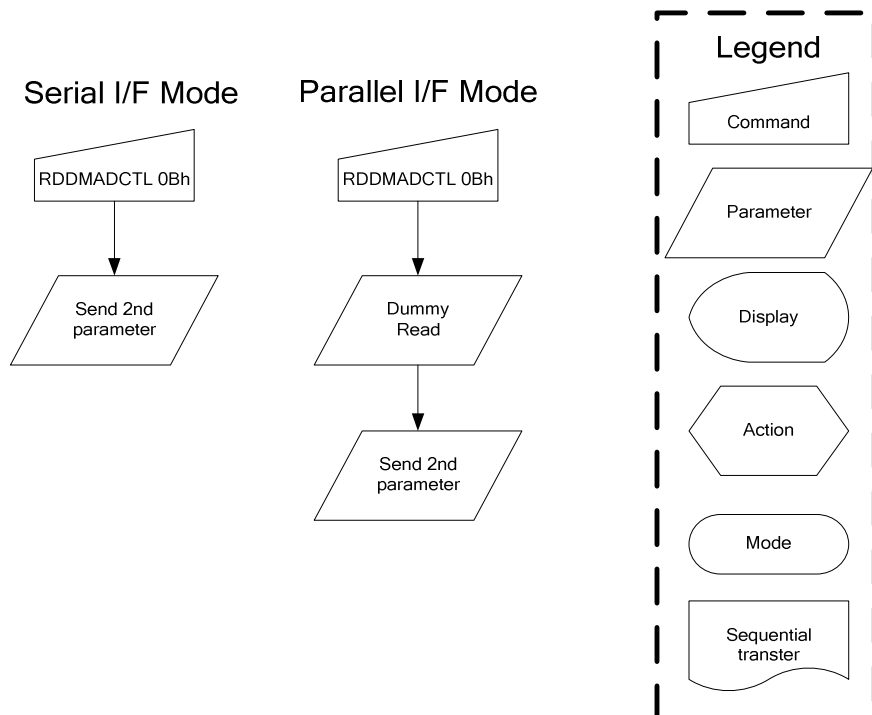
Bit	Description	Value
MX	Column Address Order	'1' = Right to Left (When MADCTL B6='1') '0' = Left to Right (When MADCTL B6='0')
MY	Row Address Order	'1' = Bottom to Top (When MADCTL B7='1') '0' = Top to Bottom (When MADCTL B7='0')
MV	Row/Column Order (MV)	'1' = Row/column exchange (MV=1) '0' = Normal (MV=0)
ML	Vertical Refresh Order	'1' =LCD Refresh Bottom to Top '0' =LCD Refresh Top to Bottom
RGB	RGB/BGR Order	'1' =BGR, "0"=RGB
D1	Not Used	'0'
D0	Not Used	'0'

Description

Default

Status	Default Value (D7 to D0)
Power On Sequence	0000_0000 (00h)
S/W Reset	No change
H/W Reset	0000_0000 (00h)

Flow Chart



10.1.7 RDDCOLMOD (0Ch): Read Display Pixel Format

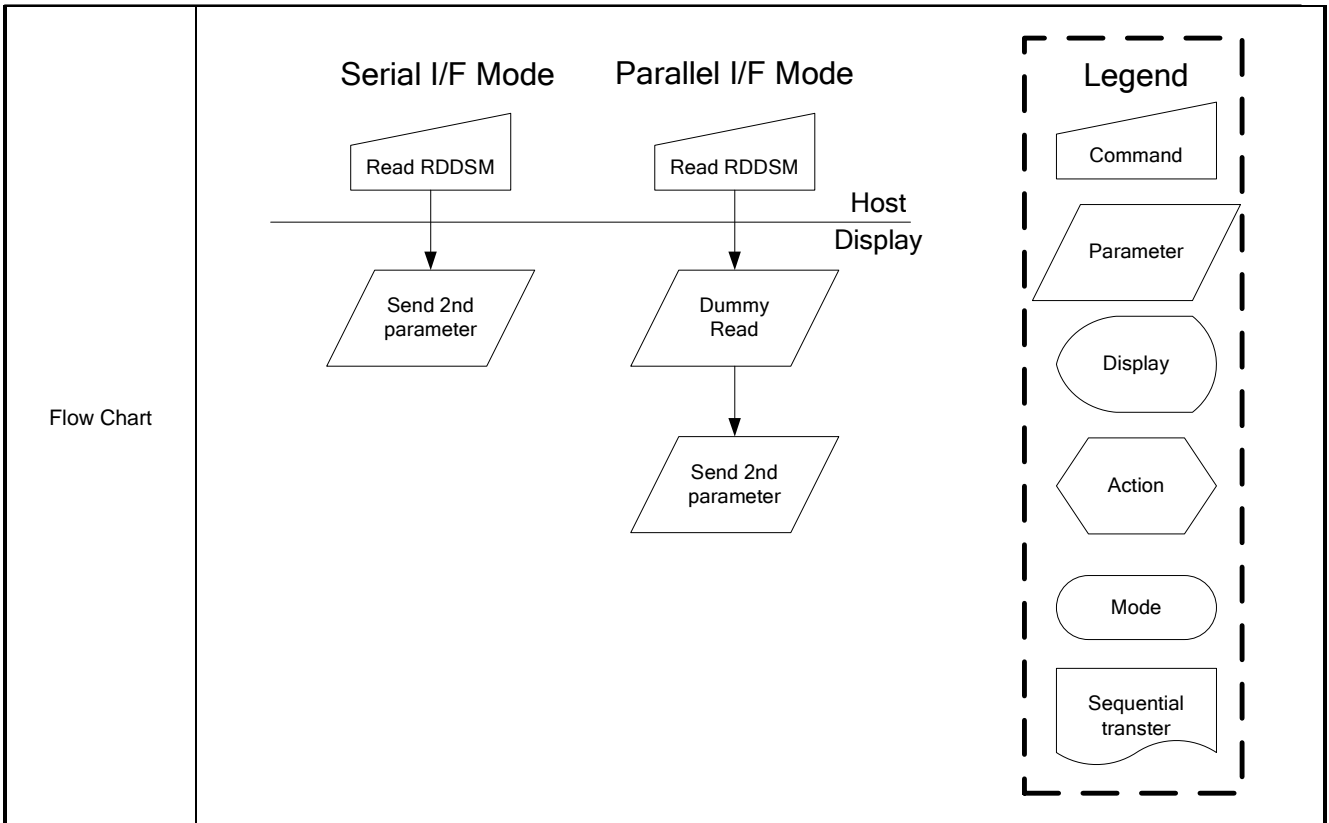
0Ch	RDDCOLMOD (Read Display Pixel Format)												
Inst / Para	D/CX	WRX	RDX	D17-8	D7	D6	D5	D4	D3	D2	D1	D0	HEX
RDDCOLMOD	0	↑	1	-	0	0	0	0	1	1	0	0	(0Ch)
1 st parameter	1	1	↑	-	-	-	-	-	-	-	-	-	-
2 nd parameter	1	1	↑	-	0	0	0	0	-	IFPF2	IFPF1	IFPF0	
Description	This command indicates the current status of the display as described in the table below:												
	IFPF[2:0]		MCU Interface Color Format										
	011		12-bit/pixel										
	101		16-bit/pixel										
	110		18-bit/pixel										
111		No used											
Others are no define and invalid													
“-“ Don't care													
Default	Status				Default Value								
					IFPF[2:0]								
	Power On Sequence				0110 (18 bits/pixel)								
	S/W Reset				No Change								
	H/W Reset				0110 (18 bits/pixel)								
Flow Chart	Serial I/F Mode				Parallel I/F Mode				Host Display				
									<div style="border: 1px dashed black; padding: 5px;"> <p>Legend</p> <ul style="list-style-type: none"> Command Parameter Display Action Mode Sequential transfer </div>				

10.1.8 RDDIM (0Dh): Read Display Image Mode

0DH	RDDIM (0Dh): Read Display Image Mode												
Inst / Para	D/CX	WRX	RDX	D17-8	D7	D6	D5	D4	D3	D2	D1	D0	HEX
RDDIM	0	↑	1	-	0	0	0	0	1	1	0	1	(0Dh)
1 st parameter	1	1	↑	-	-	-	-	-	-	-	-	-	-
2 nd parameter	1	1	↑	-	VSSON	D6	INVON	D4	D3	GCS2	GCS1	GCS0	
Description	This command indicates the current status of the display as described in the table below: “-“ Don't care												
	Bit	Description		Value									
	VSSON	Reversed		"0"									
	D6	Reversed		"0"									
	INVON	Inversion On/Off		"1" = Inversion is On, "0" = Inversion is Off									
	D4	All Pixels On		"0" (Not used)									
	D3	All Pixels Off		"0" (Not used)									
GCS2 GCS1 GCS0	Gamma Curve Selection		"000" = GC0, "001" = GC1, "010" = GC2, "011" = GC3, "100" to "111" = Not defined										
Default	Status					Default Value(D7 to D0)							
	Power On Sequence					0000_0000 (00h)							
	S/W Reset					0000_0000 (00h)							
	H/W Reset					0000_0000 (00h)							
Flow Chart	Serial I/F Mode				Parallel I/F Mode				<div style="border: 1px dashed black; padding: 5px;"> <p>Legend</p> <p>Command: [Trapezoid]</p> <p>Parameter: [Parallelogram]</p> <p>Display: [Oval]</p> <p>Action: [Hexagon]</p> <p>Mode: [Rounded Rectangle]</p> <p>Sequential transfer: [Wavy Bottom]</p> </div>				
	<p>RDDIM 0Dh</p> <p>↓</p> <p>Send 2nd parameter</p>				<p>RDDIM 0Dh</p> <p>↓</p> <p>Dummy Read</p> <p>↓</p> <p>Send 2nd parameter</p>								

10.1.9 RDDSM (0Eh): Read Display Signal Mode

0EH	RDDSM (0Eh): Read Display Signal Mode												
Inst / Para	D/CX	WRX	RDX	D17-8	D7	D6	D5	D4	D3	D2	D1	D0	HEX
RDDSM	0	↑	1	-	0	0	0	0	1	1	1	0	(0Eh)
1 st parameter	1	1	↑	-	-	-	-	-	-	-	-	-	-
2 nd parameter	1	1	↑	-	TEON	TELOM	D5	D4	D3	D2	D1	D0	
Description	This command indicates the current status of the display as described in the table below: “-“ Don't care												
	Bit	Description										Value	
	TEON	Tearing Effect Line On/Off										“1” = On, “0” = Off	
	TELOM	Tearing effect line mode										“1” = mode2, “0” = mode1	
	D5	Not Used										“1” = On, “0” = Off	
	D4	Not Used										“1” = On, “0” = Off	
	D3	Not Used										“1” = On, “0” = Off	
	D2	Not Used										“1” = On, “0” = Off	
	D1	Not Used										“1” = On, “0” = Off	
	D0	Not Used										“1” = On, “0” = Off	
Default	Status					Default Value(D7~D0)							
	Power On Sequence					0000_0000 (00h)							
	S/W Reset					0000_0000 (00h)							
	H/W Reset					0000_0000 (00h)							



10.1.10 SLPIN (10h): Sleep In

10H	SLPIN (Sleep In)												HEX
Inst / Para	D/CX	WRX	RDX	D17-8	D7	D6	D5	D4	D3	D2	D1	D0	HEX
SLPIN	0	↑	1	-	0	0	0	1	0	0	0	0	(10h)
Parameter	No Parameter												-
Description	<p>-This command causes the LCD module to enter the minimum power consumption mode.</p> <p>-In this mode the DC/DC converter is stopped, Internal display oscillator is stopped, and panel scanning is stopped.</p>												
Restriction	<p>-This command has no effect when module is already in Sleep In mode. Sleep In Mode can only be exit by the Sleep Out Command (11h).</p> <p>-When IC is in Sleep Out or Display On mode, it is necessary to wait 120msec before sending next command because of the stabilization timing for the supply voltages and clock circuits.</p>												
Default	Status						Default Value						
	Power On Sequence						Sleep in mode						
	S/W Reset						Sleep in mode						
	H/W Reset						Sleep in mode						
Flow Chart	<pre> graph TD SLPIN[/SLPIN/] --> Display[Display whole blank screen (Automatic No effect to DISP ON/OFF Commands)] Display --> Drain{{Drain Charge From LCD Panel}} Drain --> StopDCDC{{Stop DC-DC Converter}} Drain --> StopOscillator{{Stop Internal Oscillator}} StopDCDC --> SleepInMode([Sleep In Mode]) StopOscillator --> SleepInMode </pre> <p>Legend</p> <ul style="list-style-type: none"> Command Parameter Display Action Mode Sequential transfer 												

10.1.11 SLPOUT (11h): Sleep Out

11H	SLPOUT (Sleep Out)												HEX
Inst / Para	D/CX	WRX	RDX	D17-8	D7	D6	D5	D4	D3	D2	D1	D0	HEX
SLPOUT	0	↑	1	-	0	0	0	1	0	0	0	1	(11h)
Parameter	No Parameter												-
Description	<p>-This command turns off sleep mode.</p> <p>-In this mode the DC/DC converter is enabled, Internal display oscillator is started, and panel scanning is started.</p>												
Restriction	<p>-This command has no effect when module is already in sleep out mode. Sleep Out Mode can only be exit by the Sleep In Command (10h).</p> <p>-When IC is in Sleep In mode, it is necessary to wait 120msec before sending next command because of the stabilization timing for the supply voltages and clock circuits.</p> <p>-When IC is in Sleep Out or Display On mode, it is necessary to wait 120msec before sending next command due to the download of default value of registers and the execution of self-diagnostic function.</p>												
Default	Status						Default Value						
	Power On Sequence						Sleep in mode						
	S/W Reset						Sleep in mode						
	H/W Reset						Sleep in mode						
Flow Chart													

ST7715

10.1.12 PTLON (12h): Partial Display Mode On

12H	PTLON (12h): Partial Display Mode On																				
Inst / Para	D/CX	WRX	RDX	D17-8	D7	D6	D5	D4	D3	D2	D1	D0	HEX								
PTLON	0	↑	1	-	0	0	0	1	0	0	1	0	(12h)								
Parameter	No Parameter												-								
Description	<p>-This command turns on Partial mode. The partial mode window is described by the Partial Area command (30h)</p> <p>-To leave Partial mode, the Normal Display Mode On command (13h) should be written.</p> <p>“-“ Don't care</p>																				
Default	<table border="1"> <thead> <tr> <th>Status</th> <th>Default Value</th> </tr> </thead> <tbody> <tr> <td>Power On Sequence</td> <td>Normal Mode On</td> </tr> <tr> <td>S/W Reset</td> <td>Normal Mode On</td> </tr> <tr> <td>H/W Reset</td> <td>Normal Mode On</td> </tr> </tbody> </table>													Status	Default Value	Power On Sequence	Normal Mode On	S/W Reset	Normal Mode On	H/W Reset	Normal Mode On
Status	Default Value																				
Power On Sequence	Normal Mode On																				
S/W Reset	Normal Mode On																				
H/W Reset	Normal Mode On																				
Flow Chart	See Partial Area (30h)																				

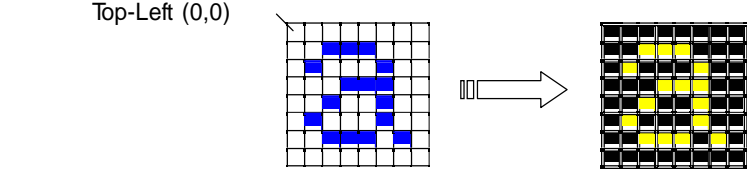
10.1.13 NORON (13h): Normal Display Mode On

13H	NORON (Normal Display Mode On)																				
Inst / Para	D/CX	WRX	RDX	D17-8	D7	D6	D5	D4	D3	D2	D1	D0	HEX								
NORON	0	↑	1	-	0	0	0	1	0	0	1	1	(13h)								
Parameter	No Parameter												-								
Description	<p>-This command returns the display to normal mode.</p> <p>-Normal display mode on means Partial mode off.</p> <p>-Exit from NORON by the Partial mode On command (12h)</p> <p>“-“ Don't care</p>																				
Default	<table border="1"> <thead> <tr> <th>Status</th> <th>Default Value</th> </tr> </thead> <tbody> <tr> <td>Power On Sequence</td> <td>Normal Mode On</td> </tr> <tr> <td>S/W Reset</td> <td>Normal Mode On</td> </tr> <tr> <td>H/W Reset</td> <td>Normal Mode On</td> </tr> </tbody> </table>													Status	Default Value	Power On Sequence	Normal Mode On	S/W Reset	Normal Mode On	H/W Reset	Normal Mode On
Status	Default Value																				
Power On Sequence	Normal Mode On																				
S/W Reset	Normal Mode On																				
H/W Reset	Normal Mode On																				
Flow Chart	See Partial Area Definition Descriptions for details of when to use this command																				

10.1.14 INVOFF (20h): Display Inversion Off

20H		INVOFF (Normal Display Mode Off)																			
Inst / Para	D/CX	WRX	RDX	D17-8	D7	D6	D5	D4	D3	D2	D1	D0	HEX								
INVOFF	0	↑	1	-	0	0	1	0	0	0	0	0	(20h)								
Parameter	No Parameter												-								
Description	<p>-This command is used to recover from display inversion mode.</p> <p>“-“ Don't care</p> <p>(Example)</p> <div style="display: flex; align-items: center; justify-content: center;"> <div style="text-align: center;"> <p>Memory</p> </div> <div style="margin: 0 20px;">→</div> <div style="text-align: center;"> <p>Display</p> </div> </div>																				
Default	<table border="1" style="width: 100%; border-collapse: collapse;"> <thead> <tr> <th>Status</th> <th>Default Value</th> </tr> </thead> <tbody> <tr> <td>Power On Sequence</td> <td>Display Inversion off</td> </tr> <tr> <td>S/W Reset</td> <td>Display Inversion off</td> </tr> <tr> <td>H/W Reset</td> <td>Display Inversion off</td> </tr> </tbody> </table>													Status	Default Value	Power On Sequence	Display Inversion off	S/W Reset	Display Inversion off	H/W Reset	Display Inversion off
Status	Default Value																				
Power On Sequence	Display Inversion off																				
S/W Reset	Display Inversion off																				
H/W Reset	Display Inversion off																				
Flow Chart	<div style="border: 1px dashed black; padding: 10px;"> <p style="text-align: center;">Legend</p> <div style="display: flex; flex-direction: column; gap: 10px;"> <div style="border: 1px solid black; width: 100px; height: 20px; margin-bottom: 5px;"></div> <div style="border: 1px solid black; width: 100px; height: 20px; transform: rotate(-30deg); margin-bottom: 5px;"></div> <div style="border: 1px solid black; width: 100px; height: 40px; border-radius: 20px; margin-bottom: 5px;"></div> <div style="border: 1px solid black; width: 100px; height: 40px; margin-bottom: 5px;"></div> <div style="border: 1px solid black; width: 100px; height: 20px; border-radius: 10px; margin-bottom: 5px;"></div> <div style="border: 1px solid black; width: 100px; height: 40px; margin-bottom: 5px;"></div> </div> </div> <div style="text-align: center;"> <pre> graph TD A([Display Inversion On Mode]) --> B[/INVOFF (20h)/] B --> C([Display Inversion OFF Mode]) </pre> </div>																				

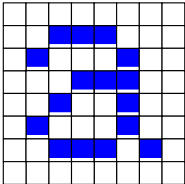
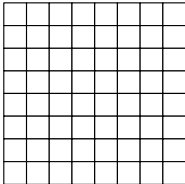
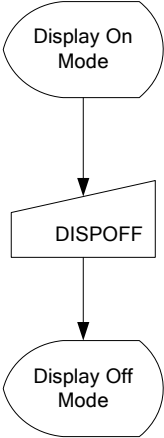
10.1.15 INVON (21h): Display Inversion On

21H	IVNOFF (Display Inversion On)												HEX								
Inst / Para	D/CX	WRX	RDX	D17-8	D7	D6	D5	D4	D3	D2	D1	D0	HEX								
INVON	0	↑	1	-	0	0	1	0	0	0	0	1	(21h)								
Parameter	No Parameter												-								
Description	<p>-This command is used to enter into display inversion mode</p> <p>-To exit from Display Inversion On, the Display Inversion Off command (20h) should be written.</p> <p>“-“ Don't care</p> <p>(Example) Memory</p> <p>Top-Left (0,0)</p>  <p>Display</p>																				
Default	<table border="1"> <thead> <tr> <th>Status</th> <th>Default Value</th> </tr> </thead> <tbody> <tr> <td>Power On Sequence</td> <td>Display Inversion off</td> </tr> <tr> <td>S/W Reset</td> <td>Display Inversion off</td> </tr> <tr> <td>H/W Reset</td> <td>Display Inversion off</td> </tr> </tbody> </table>													Status	Default Value	Power On Sequence	Display Inversion off	S/W Reset	Display Inversion off	H/W Reset	Display Inversion off
Status	Default Value																				
Power On Sequence	Display Inversion off																				
S/W Reset	Display Inversion off																				
H/W Reset	Display Inversion off																				
Flow Chart	<pre> graph TD A([Display Inversion OFF Mode]) --> B[/INVON (21h)/] B --> C([Display Inversion ON Mode]) </pre> <p>Legend</p> <ul style="list-style-type: none"> Command Parameter Display Action Mode Sequential transfer 																				

10.1.16 GAMSET (26h): Gamma Set

26H	GAMSET (Gamma Set)																																				
Inst / Para	D/CX	WRX	RDX	D17-8	D7	D6	D5	D4	D3	D2	D1	D0	HEX																								
GAMSET	0	↑	1	-	0	0	1	0	0	1	1	0	(26h)																								
Parameter	1	↑	1	-	-	-	-	-	GC3	GC2	GC1	GC0																									
Description	-This command is used to select the desired Gamma curve for the current display. A maximum of 4 curves can be selected. The curve is selected by setting the appropriate bit in the parameter as described in the Table.																																				
	<table border="1"> <thead> <tr> <th>GC [7:0]</th> <th>Parameter</th> <th colspan="2">Curve Selected</th> </tr> <tr> <th colspan="2"></th> <th>GS=1</th> <th>GS=0</th> </tr> </thead> <tbody> <tr> <td>01h</td> <td>GC0</td> <td>Gamma Curve 1 (G2.2)</td> <td>Gamma Curve 1 (G1.0)</td> </tr> <tr> <td>02h</td> <td>GC1</td> <td>Gamma Curve 2 (G1.8)</td> <td>Gamma Curve 2 (G2.5)</td> </tr> <tr> <td>04h</td> <td>GC2</td> <td>Gamma Curve 3 (G2.5)</td> <td>Gamma Curve 3 (G2.2)</td> </tr> <tr> <td>08h</td> <td>GC3</td> <td>Gamma Curve 4 (G1.0)</td> <td>Gamma Curve 4 (G1.8)</td> </tr> </tbody> </table>													GC [7:0]	Parameter	Curve Selected				GS=1	GS=0	01h	GC0	Gamma Curve 1 (G2.2)	Gamma Curve 1 (G1.0)	02h	GC1	Gamma Curve 2 (G1.8)	Gamma Curve 2 (G2.5)	04h	GC2	Gamma Curve 3 (G2.5)	Gamma Curve 3 (G2.2)	08h	GC3	Gamma Curve 4 (G1.0)	Gamma Curve 4 (G1.8)
	GC [7:0]	Parameter	Curve Selected																																		
			GS=1	GS=0																																	
	01h	GC0	Gamma Curve 1 (G2.2)	Gamma Curve 1 (G1.0)																																	
	02h	GC1	Gamma Curve 2 (G1.8)	Gamma Curve 2 (G2.5)																																	
04h	GC2	Gamma Curve 3 (G2.5)	Gamma Curve 3 (G2.2)																																		
08h	GC3	Gamma Curve 4 (G1.0)	Gamma Curve 4 (G1.8)																																		
Note: All other values are undefined.																																					
Default	Status						Default Value																														
	Power On Sequence						01h																														
	S/W Reset						01h																														
	H/W Reset						01h																														
Flow Chart	<pre> graph TD A[GAMSET (26h)] -- Command --> B[1st parameter: GC[7:0]] B -- Parameter --> C{New Gamma Curve Loaded} </pre>																																				
	<table border="1"> <thead> <tr> <th colspan="2">Legend</th> </tr> </thead> <tbody> <tr> <td></td> <td>Command</td> </tr> <tr> <td></td> <td>Parameter</td> </tr> <tr> <td></td> <td>Display</td> </tr> <tr> <td></td> <td>Action</td> </tr> <tr> <td></td> <td>Mode</td> </tr> <tr> <td></td> <td>Sequential transfer</td> </tr> </tbody> </table>													Legend			Command		Parameter		Display		Action		Mode		Sequential transfer										
Legend																																					
	Command																																				
	Parameter																																				
	Display																																				
	Action																																				
	Mode																																				
	Sequential transfer																																				

10.1.17 DISPOFF (28h): Display Off

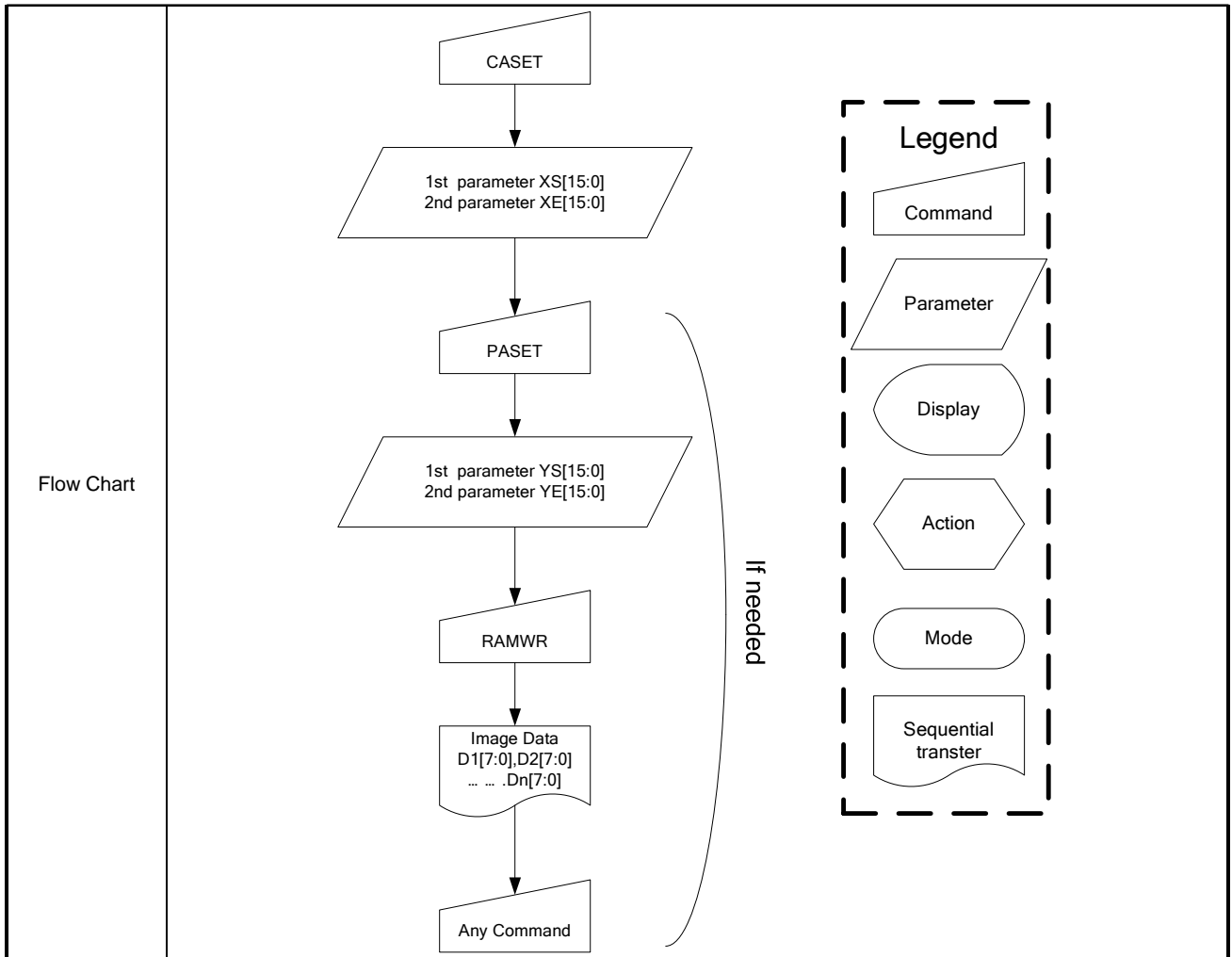
28H	DISPOFF (Display Off)												HEX								
Inst / Para	D/CX	WRX	RDX	D17-8	D7	D6	D5	D4	D3	D2	D1	D0	HEX								
DISPOFF	0	↑	1	-	0	0	1	0	1	0	0	0	(28h)								
Parameter	No Parameter												-								
Description	<p>- This command is used to enter into DISPLAY OFF mode. In this mode, the output from Frame Memory is disabled and blank page inserted.</p> <p>- This command makes no change of contents of frame memory.</p> <p>- This command does not change any other status.</p> <p>- There will be no abnormal visible effect on the display.</p> <p>- Exit from this command by Display On (29h)</p> <p>- The delay time between DISPON and DISPOFF needs 120ms at least.</p> <p style="text-align: center;">(Example)</p> <div style="display: flex; justify-content: space-around; align-items: center;"> <div style="text-align: center;"> <p>Memory</p>  </div> <div style="font-size: 2em;">→</div> <div style="text-align: center;"> <p>Display</p>  </div> </div> <p>Note1: Complete 1 frame display (ex: continue 2-falling edges of VS)</p> <p>Note2: Please use command 28h (display off) combined with command 10h (sleep in) to make module into display off status. Please check the application note of ST7715 when using display off function.</p>																				
Default	<table border="1" style="width: 100%; border-collapse: collapse;"> <thead> <tr> <th style="width: 50%;">Status</th> <th style="width: 50%;">Default Value</th> </tr> </thead> <tbody> <tr> <td>Power On Sequence</td> <td>Display off</td> </tr> <tr> <td>S/W Reset</td> <td>Display off</td> </tr> <tr> <td>H/W Reset</td> <td>Display off</td> </tr> </tbody> </table>													Status	Default Value	Power On Sequence	Display off	S/W Reset	Display off	H/W Reset	Display off
Status	Default Value																				
Power On Sequence	Display off																				
S/W Reset	Display off																				
H/W Reset	Display off																				
Flow Chart	<div style="display: flex; align-items: center;"> <div style="flex: 1;">  <pre> graph TD A([Display On Mode]) --> B[/DISPOFF/] B --> C([Display Off Mode]) </pre> </div> <div style="flex: 1; border: 1px dashed black; padding: 5px;"> <p style="text-align: center;">Legend</p> <div style="display: flex; flex-direction: column; gap: 10px;"> <div style="border: 1px solid black; padding: 2px; text-align: center;">Command</div> <div style="border: 1px solid black; padding: 2px; text-align: center;">Parameter</div> <div style="border: 1px solid black; padding: 2px; text-align: center;">Display</div> <div style="border: 1px solid black; padding: 2px; text-align: center;">Action</div> <div style="border: 1px solid black; padding: 2px; text-align: center;">Mode</div> <div style="border: 1px solid black; padding: 2px; text-align: center;">Sequential transfer</div> </div> </div> </div>																				

10.1.18 DISPON (29h): Display On

29H	DISPON (Display On)																				
DISPON	0	↑	1	-	0	0	1	0	1	0	0	1	(29h)								
Parameter	No Parameter												-								
Description	<p>- This command is used to recover from DISPLAY OFF mode. Output from the Frame Memory is enabled.</p> <p>- This command makes no change of contents of frame memory.</p> <p>- This command does not change any other status.</p> <p>- The delay time between DISPON and DISPOFF needs 120ms at least.</p> <div style="text-align: center;"> <p>(Example)</p> </div>																				
Default	<table border="1"> <thead> <tr> <th>Status</th> <th>Default Value</th> </tr> </thead> <tbody> <tr> <td>Power On Sequence</td> <td>Display off</td> </tr> <tr> <td>S/W Reset</td> <td>Display off</td> </tr> <tr> <td>H/W Reset</td> <td>Display off</td> </tr> </tbody> </table>													Status	Default Value	Power On Sequence	Display off	S/W Reset	Display off	H/W Reset	Display off
Status	Default Value																				
Power On Sequence	Display off																				
S/W Reset	Display off																				
H/W Reset	Display off																				
Flow Chart	<div style="border: 1px dashed black; padding: 10px;"> <p style="text-align: center;">Legend</p> <ul style="list-style-type: none"> Command Parameter Display Action Mode Sequential transfer <div style="text-align: center; margin-top: 20px;"> <pre> graph TD A([Display Off Mode]) --> B[/DISPON/] B --> C([Display On Mode]) </pre> </div> </div>																				

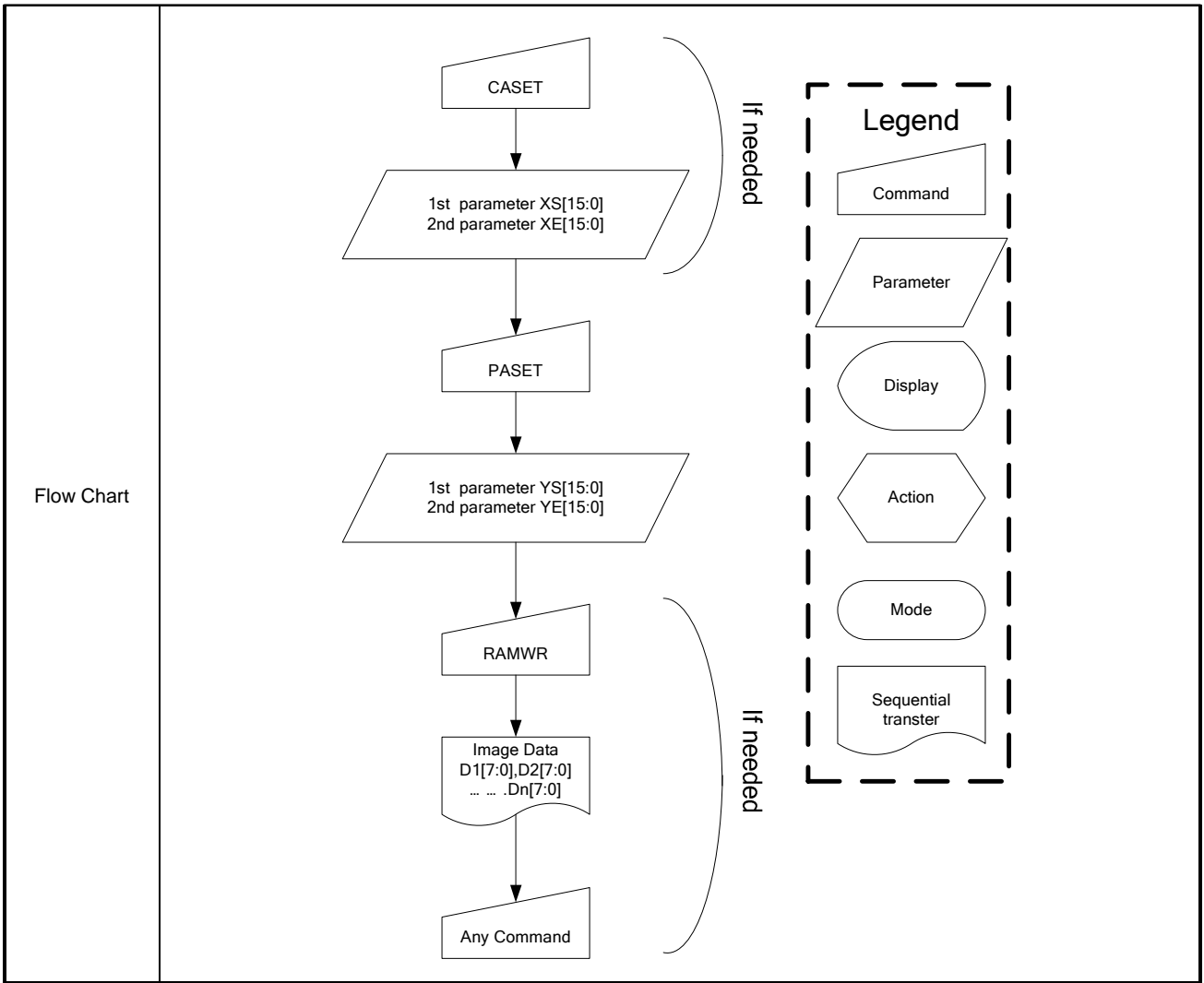
10.1.19 CASET (2Ah): Column Address Set

2AH	CASET(Colume Address Set)_																																	
Inst / Para	D/CX	WRX	RDX	D17-8	D7	D6	D5	D4	D3	D2	D1	D0	HEX																					
CASET(2Ah)	0	↑	1	-	0	0	1	0	1	0	1	0	(2Ah)																					
1 st parameter	1	↑	1	-	-	-	-	-	-	-	-	-	-																					
2 nd parameter	1	↑	1	-	XS7	XS6	XS5	XS4	XS3	XS2	XS1	XS0																						
3 rd parameter	1	↑	1	-	-	-	-	-	-	-	-	-																						
4 th parameter	1	↑	1	-	XE7	XE6	XE5	XE4	XE3	XE2	XE1	XE0																						
Description	<p>-The value of XS [7:0] and XE [7:0] are referred when RAMWR command comes. -Each value represents one column line in the Frame Memory.</p>																																	
Restriction	<p>XS [15:0] always must be equal to or less than XE [15:0] When XS [15:0] or XE [15:0] is greater than maximum address like below, data of out of range will be ignored.</p> <p>1. 132X132 memory base (GM = '001')</p> <p>(Parameter range: 0 < XS [15:0] < XE [15:0] < 131 (0083h)): MV="0"</p> <p>(Parameter range: 0 < XS [15:0] < XE [15:0] < 131 (0083h)): MV="1"</p>																																	
Default	<table border="1"> <thead> <tr> <th rowspan="2">GM Status</th> <th rowspan="2">Status</th> <th colspan="3">Default Value</th> </tr> <tr> <th>XS [7:0]</th> <th>XE [7:0] (MV='0')</th> <th>XE [7:0] (MV='1')</th> </tr> </thead> <tbody> <tr> <td rowspan="3">GM='001' (132x132 memory base)</td> <td>Power On Sequence</td> <td>0000h</td> <td colspan="2">0083h (131)</td> </tr> <tr> <td>S/W Reset</td> <td>0000h</td> <td colspan="2">0083h (131)</td> </tr> <tr> <td>H/W Reset</td> <td>0000h</td> <td colspan="2">0083h (131)</td> </tr> </tbody> </table>													GM Status	Status	Default Value			XS [7:0]	XE [7:0] (MV='0')	XE [7:0] (MV='1')	GM='001' (132x132 memory base)	Power On Sequence	0000h	0083h (131)		S/W Reset	0000h	0083h (131)		H/W Reset	0000h	0083h (131)	
GM Status	Status	Default Value																																
		XS [7:0]	XE [7:0] (MV='0')	XE [7:0] (MV='1')																														
GM='001' (132x132 memory base)	Power On Sequence	0000h	0083h (131)																															
	S/W Reset	0000h	0083h (131)																															
	H/W Reset	0000h	0083h (131)																															



10.1.20 RASET (2Bh): Row Address Set

2BH	RASET (Row Address Set)																																	
Inst / Para	D/CX	WRX	RDX	D17-8	D7	D6	D5	D4	D3	D2	D1	D0	HEX																					
RASET (2Bh)	0	↑	1	-	0	0	1	0	1	0	1	1	(2Bh)																					
1 st parameter	1	↑	1	-	-	-	-	-	-	-	-	-																						
2 nd parameter	1	↑	1	-	YS7	YS6	YS5	YS4	YS3	YS2	YS1	YS0																						
3 rd parameter	1	↑	1	-	-	-	-	-	-	-	-	-																						
4 th parameter	1	↑	1	-	YE7	YE6	YE5	YE4	YE3	YE2	YE1	YE0																						
Description	<p>The value of YS [7:0] and YE [7:0] are referred when RAMWR command comes. Each value represents one column line in the Frame Memory.</p>																																	
Restriction	<p>YS [15:0] always must be equal to or less than YE [15:0]</p> <p>When YS [15:0] or YE [15:0] are greater than maximum row address like below, data of out of range will be ignored.</p>																																	
	<p>1. 132X132 memory base (GM = '001')</p> <p>(Parameter range: 0 < YS [15:0] < YE [15:0] < 131 (0083h)): MV="0"</p> <p>(Parameter range: 0 < YS [15:0] < YE [15:0] < 131 (0083h)): MV="1"</p>																																	
Default	<table border="1"> <thead> <tr> <th rowspan="2">GM status</th> <th rowspan="2">Status</th> <th colspan="3">Default Value</th> </tr> <tr> <th>YS [15:0]</th> <th>YE [15:0] (MV='0')</th> <th>YE [15:0] (MV='1')</th> </tr> </thead> <tbody> <tr> <td rowspan="3">GM='001' (132x132 memory base)</td> <td>Power On Sequence</td> <td>0000h</td> <td colspan="2">0083h (131)</td> </tr> <tr> <td>S/W Reset</td> <td>0000h</td> <td colspan="2">0083h (131)</td> </tr> <tr> <td>H/W Reset</td> <td>0000h</td> <td colspan="2">0083h (131)</td> </tr> </tbody> </table>													GM status	Status	Default Value			YS [15:0]	YE [15:0] (MV='0')	YE [15:0] (MV='1')	GM='001' (132x132 memory base)	Power On Sequence	0000h	0083h (131)		S/W Reset	0000h	0083h (131)		H/W Reset	0000h	0083h (131)	
	GM status	Status	Default Value																															
			YS [15:0]	YE [15:0] (MV='0')	YE [15:0] (MV='1')																													
	GM='001' (132x132 memory base)	Power On Sequence	0000h	0083h (131)																														
S/W Reset		0000h	0083h (131)																															
H/W Reset		0000h	0083h (131)																															



10.1.21 RAMWR (2Ch): Memory Write

2CH		RAMWR (Memory Write)																			
Inst / Para	D/CX	WRX	RDX	D17-8	D7	D6	D5	D4	D3	D2	D1	D0	HEX								
RAMWR	0	↑	1	-	0	0	1	0	1	1	0	0	(2Ch)								
1st parameter	1	↑	1	D17-8	D7	D6	D5	D4	D3	D2	D1	D0									
	1	↑	1																		
Nth parameter	1	↑	1	D17-8	D7	D6	D5	D4	D3	D2	D1	D0									
Description	<p>In all color modes, there is no restriction on length of parameters.</p> <p>1. 132x132 memory base (GM = '001')</p> <p>132x132x18-bit memory can be written on this command.</p> <p>Memory range: (0000h, 0000h) -> (0083h, 0083h)</p>																				
Default	<table border="1"> <thead> <tr> <th>Status</th> <th>Default Value</th> </tr> </thead> <tbody> <tr> <td>Power On Sequence</td> <td>Contents of memory is set randomly</td> </tr> <tr> <td>S/W Reset</td> <td>Contents of memory is not cleared</td> </tr> <tr> <td>H/W Reset</td> <td>Contents of memory is not cleared</td> </tr> </tbody> </table>													Status	Default Value	Power On Sequence	Contents of memory is set randomly	S/W Reset	Contents of memory is not cleared	H/W Reset	Contents of memory is not cleared
Status	Default Value																				
Power On Sequence	Contents of memory is set randomly																				
S/W Reset	Contents of memory is not cleared																				
H/W Reset	Contents of memory is not cleared																				
Flow Chart	<pre> graph TD A[RAMWR] --> B[Image Data D1[7:0], D2[7:0] Dn[7:0]] B --> C[Any Command] </pre> <p>Legend</p> <ul style="list-style-type: none"> Command: Trapezoid Parameter: Parallelogram Display: Oval Action: Hexagon Mode: Rounded rectangle Sequential transfer: Wavy-bottom rectangle 																				

10.1.22 RAMRD (2Eh): Memory Read

2EH	RAMHD (Memory Read)												HEX								
Inst / Para	D/CX	WRX	RDX	D17-8	D7	D6	D5	D4	D3	D2	D1	D0									
RAMHD	0	↑	1	-	0	0	1	0	1	1	1	0	(2Eh)								
1 st parameter	1	1	↑	-	-	-	-	-	-	-	-	-									
2 nd parameter	1	1	↑	D17-8	D7	D6	D5	D4	D3	D2	D1	D0									
	1	1	↑																		
(N+1)th parameter	1	1	↑	D17-8	D7	D6	D5	D4	D3	D2	D1	D0									
Description	<p>-This command is used to transfer data from frame memory to MCU.</p> <p>-When this command is accepted, the column register and the row register are reset to the Start Column/Start Row positions.</p> <p>-The Start Column/Start Row positions are different in accordance with MADCTL setting.</p> <p>-Then D[17:0] is read back from the frame memory and the column register and the row register incremented as section 9.10</p> <p>-Frame Read can be cancelled by sending any other command.</p> <p>-The data color coding is fixed to 18-bit in reading function. Please see section 9.8 “Data color coding” for color coding (18-bit cases), when there is used 8, 9, 16 and 18-bit data lines for image data.</p> <p>Note1: The Command 3Ah should be set to 66h when reading pixel data from frame memory. Please check the LUT in chapter 9.17 when using memory read function.</p>																				
Default	<table border="1"> <thead> <tr> <th>Status</th> <th>Default Value</th> </tr> </thead> <tbody> <tr> <td>Power On Sequence</td> <td>Contents of memory is set randomly</td> </tr> <tr> <td>S/W Reset</td> <td>Contents of memory is not cleared</td> </tr> <tr> <td>H/W Reset</td> <td>Contents of memory is not cleared</td> </tr> </tbody> </table>						Status	Default Value	Power On Sequence	Contents of memory is set randomly	S/W Reset	Contents of memory is not cleared	H/W Reset	Contents of memory is not cleared							
Status	Default Value																				
Power On Sequence	Contents of memory is set randomly																				
S/W Reset	Contents of memory is not cleared																				
H/W Reset	Contents of memory is not cleared																				
Flow Chart	<pre> graph TD A[RAMRD] --> B[/Dummy/] B --> C["Image Data D1[7:0], D2[7:0] Dn[7:0]"] C --> D[/Any Command/] </pre> <p>Legend</p> <ul style="list-style-type: none"> Command: Trapezoid Parameter: Parallelogram Display: Oval Action: Hexagon Mode: Rounded rectangle Sequential transfer: Wavy-bottom rectangle 																				

10.1.23 PTLAR (30h): Partial Area

30H	PTLAR (Partial Area)												HEX
Inst / Para	D/CX	WRX	RDX	D17-8	D7	D6	D5	D4	D3	D2	D1	D0	HEX
PTLAR	0	↑	1	-	0	0	1	1	0	0	0	0	(30h)
1st parameter	1	↑	1	-	PSL15	PSL14	PSL13	PSL12	PSL11	PSL10	PSL9	PSL8	
2nd parameter	1	↑	1	-	PSL7	PSL6	PSL5	PSL4	PSL3	PSL2	PSL1	PSL0	
3rd parameter	1	↑	1	-	PEL15	PEL14	PEL13	PEL12	PEL11	PEL10	PEL9	PEL8	
4th parameter	1	↑	1	-	PEL7	PEL6	PEL5	PEL4	PEL3	PEL2	PEL1	PEL0	

-This command defines the partial mode's display area.

-There are 4 parameters associated with this command, the first defines the Start Row (PSL) and the second the End Row (PEL), as illustrated in the figures below. PSL and PEL refer to the Frame Memory row address counter.

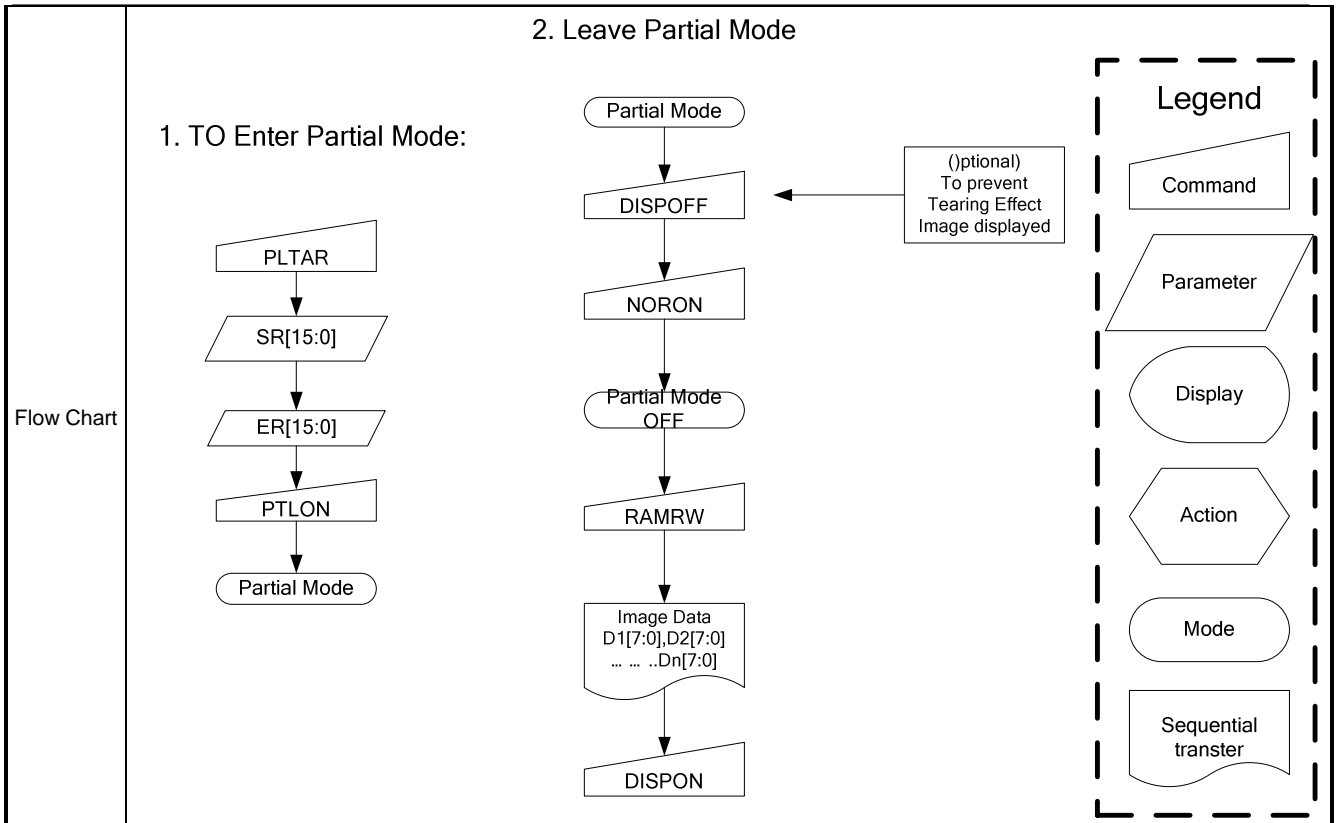
-If End Row > Start Row, when MADCTL ML='0'

-If End Row > Start Row, when MADCTL ML='1'

-If End Row < Start Row, when MADCTL ML='0'

-If End Row = Start Row then the Partial Area will be one row deep.

Default	Status	Default Value	
		PSL [15:0]	PEL [15:0]
	GM[2:0]	"xxx"	GM[2:0]="001"
	Power On Sequence	0000h	0083h
	S/W Reset	0000h	0083h
	H/W Reset	0000h	0083h



10.1.24 TEOFF (34h): Tearing Effect Line OFF

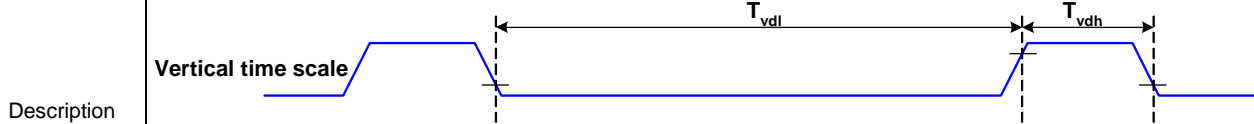
34H	TEOFF (Tearing Effect Line OFF)												HEX
Inst / Para	D/CX	WRX	RDX	D17-8	D7	D6	D5	D4	D3	D2	D1	D0	HEX
TEOFF	0	↑	1	-	0	0	1	1	0	1	0	0	(34h)
Parameter	No Parameter												-
Description	-This command is used to turn OFF (Active Low) the Tearing Effect output signal from the TE signal line.												
Default	Status						Default Value						
	Power On Sequence						OFF						
	S/W Reset						OFF						
	H/W Reset						OFF						
Flow Chart	<pre> graph TD A([TE Line Output ON]) --> B[/TEOFF/] B --> C([TE Line Output OFF]) </pre> <p>Legend</p> <ul style="list-style-type: none"> Command: Trapezoid Parameter: Parallelogram Display: Oval Action: Hexagon Mode: Rounded rectangle Sequential transfer: Wavy bottom 												

10.1.25 TEON (35h): Tearing Effect Line ON

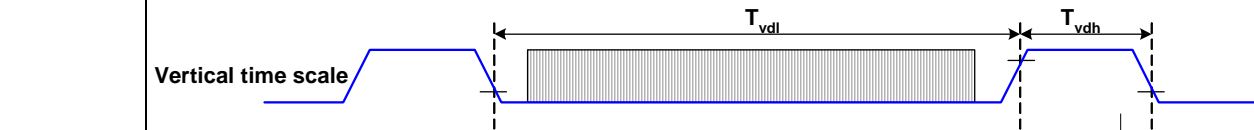
35H	TEON (Tearing Effect Line ON)												HEX
Inst / Para	D/CX	WRX	RDX	D17-8	D7	D6	D5	D4	D3	D2	D1	D0	HEX
TEON	0	↑	1	-	0	0	1	1	0	1	0	1	(35h)
Parameter	1	↑	1	-	0	0	0	0	0	0	0	TELOM	

-This command is used to turn ON the Tearing Effect output signal from the TE signal line.
 -This output is not affected by changing MADCTL bit ML.
 -The Tearing Effect Line On has one parameter, which describes the mode of the Tearing Effect Output Line:

-When TELOM = '0': The Tearing Effect output line consists of V-Blanking information only

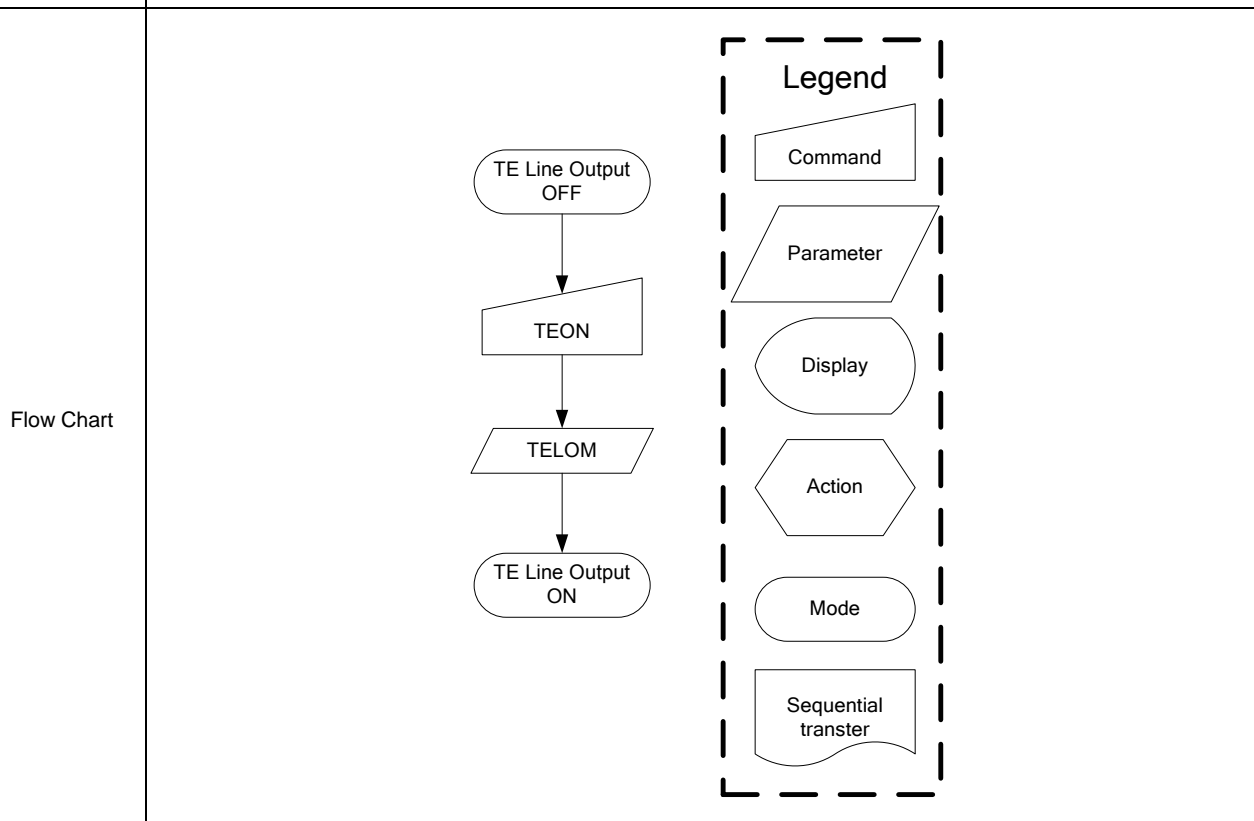


-When TELOM = '1': The Tearing Effect output Line consists of both V-Blanking and H-Blanking information



Note: During Sleep In Mode with Tearing Effect Line On, Tearing Effect Output pin will be active Low.

Default	Status	Default Value
	Power On Sequence	Tearing effect off & TELOM=0
	S/W Reset	Tearing effect off & TELOM=0
	H/W Reset	Tearing effect off & TELOM=0



10.1.26 MADCTL (36h): Memory Data Access Control

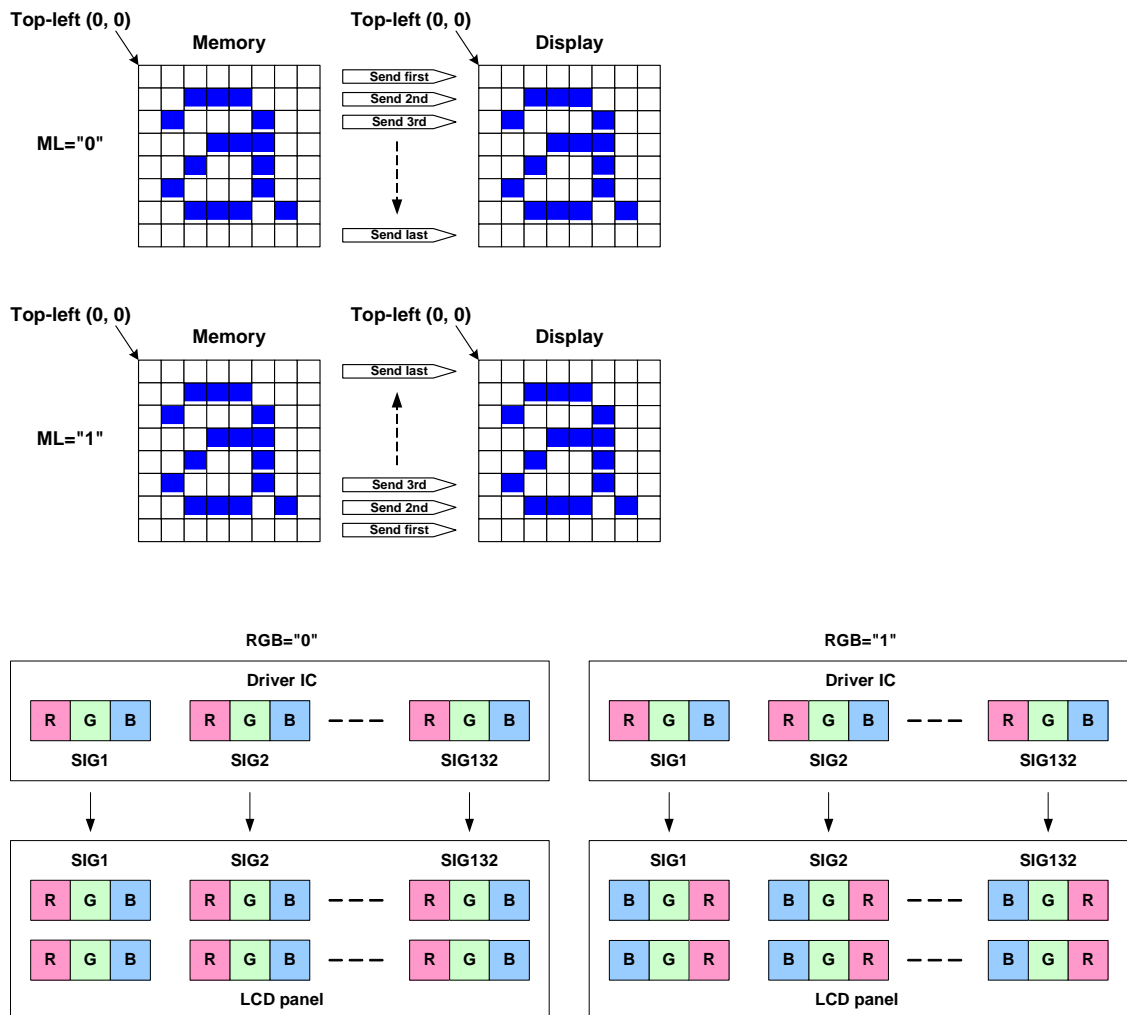
36H	MADCTL (Memory Data Access Control)												HEX
Inst / Para	D/CX	WRX	RDX	D17-8	D7	D6	D5	D4	D3	D2	D1	D0	HEX
MADCTL	0	↑	1	-	0	0	1	1	0	1	1	0	(36h)
Parameter	1	↑	1	-	MY	MX	MV	ML	RGB	0	-	-	

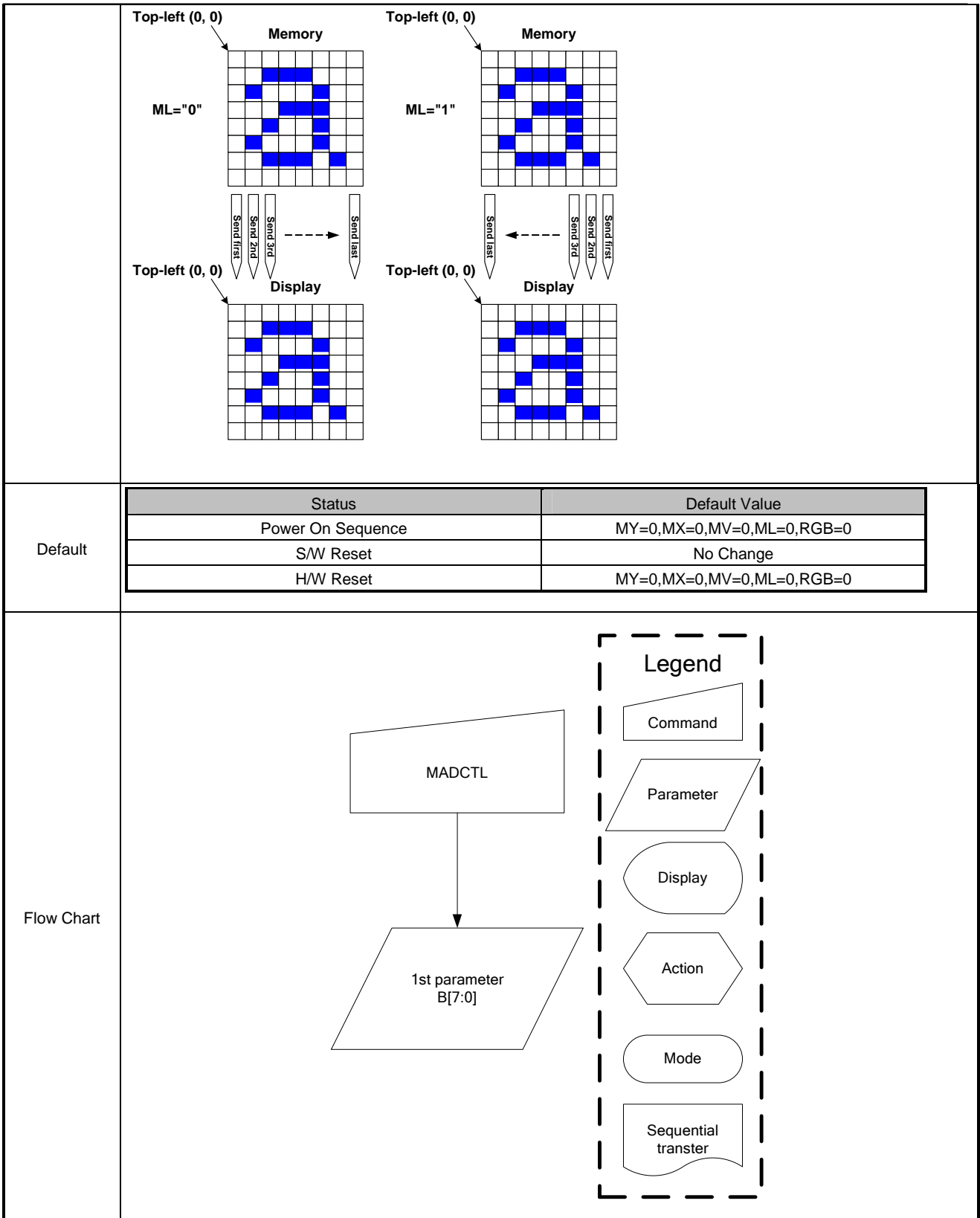
-This command defines read/ write scanning direction of frame memory.

Bit	NAME	DESCRIPTION
MY	Row Address Order	These 3bits controls MCU to memory write/read direction.
MX	Column Address Order	
MV	Row/Column Exchange	
ML	Vertical Refresh Order	LCD vertical refresh direction control '0' = LCD vertical refresh Top to Bottom '1' = LCD vertical refresh Bottom to Top
RGB	RGB-BGR ORDER	Color selector switch control '0' =RGB color filter panel, '1' =BGR color filter panel)

-Bit Assignment

Description



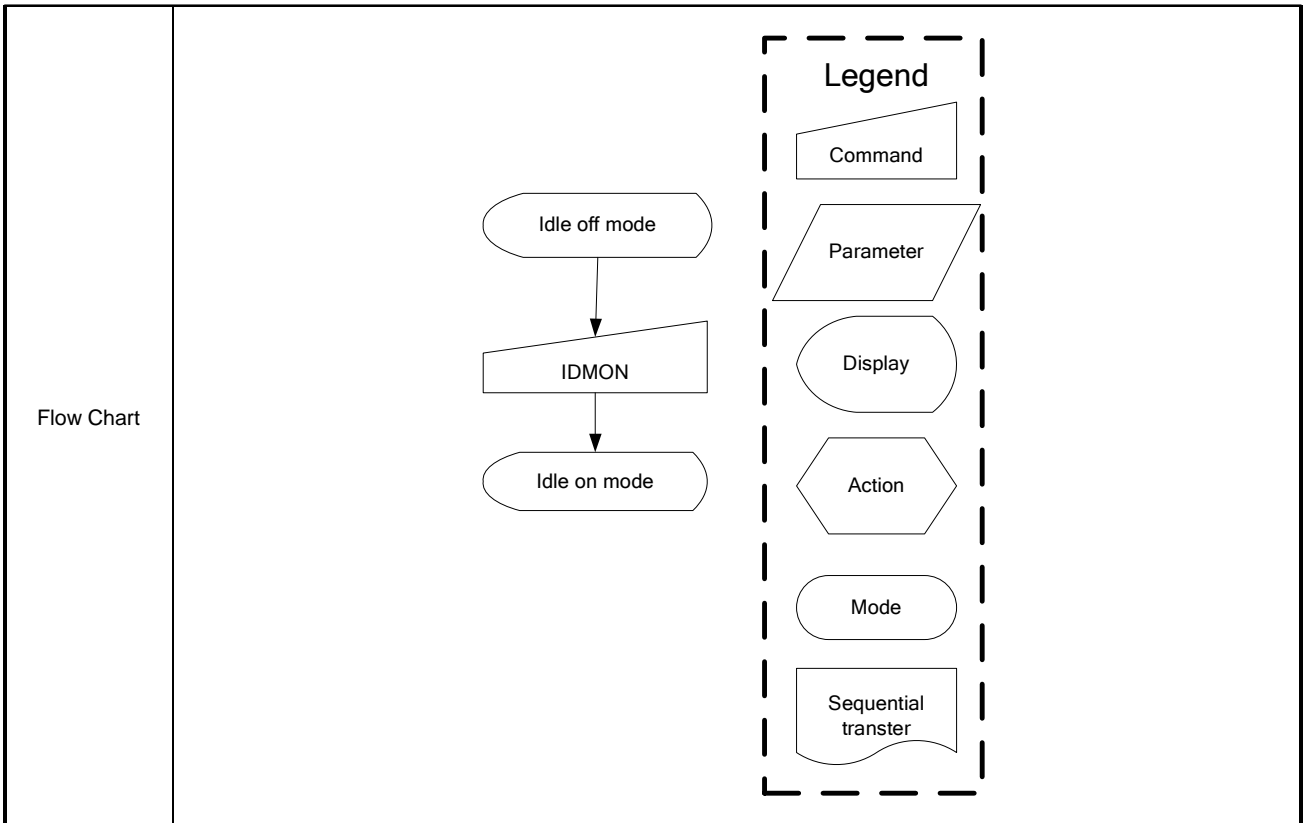


10.1.27 IDMOFF (38h): Idle Mode Off

38H	IDMOFF (Idle Mode Off)												HEX							
Inst / Para	D/CX	WRX	RDX	D17-8	D7	D6	D5	D4	D3	D2	D1	D0	HEX							
IDMOFF	0	↑	1	-	0	0	1	1	1	0	0	0	(38h)							
Parameter	No Parameter												-							
Description	<p>-This command is used to recover from Idle mode on.</p> <p>-In the idle off mode,</p> <ol style="list-style-type: none"> LCD can display 4096, 65k or 262k colors. Normal frame frequency is applied. 																			
Default	<table border="1"> <thead> <tr> <th>Status</th> <th>Default Value</th> </tr> </thead> <tbody> <tr> <td>Power On Sequence</td> <td>Idle Mode Off</td> </tr> <tr> <td>S/W Reset</td> <td>Idle Mode Off</td> </tr> <tr> <td>H/W Reset</td> <td>Idle Mode Off</td> </tr> </tbody> </table>												Status	Default Value	Power On Sequence	Idle Mode Off	S/W Reset	Idle Mode Off	H/W Reset	Idle Mode Off
Status	Default Value																			
Power On Sequence	Idle Mode Off																			
S/W Reset	Idle Mode Off																			
H/W Reset	Idle Mode Off																			
Flow Chart	<pre> graph TD A([Idle on mode]) --> B[/IDMOFF/] B --> C([Idle off mode]) </pre> <p>Legend</p> <ul style="list-style-type: none"> Command: Trapezoid Parameter: Parallelogram Display: Oval Action: Hexagon Mode: Rounded rectangle Sequential transfer: Wavy bottom 																			

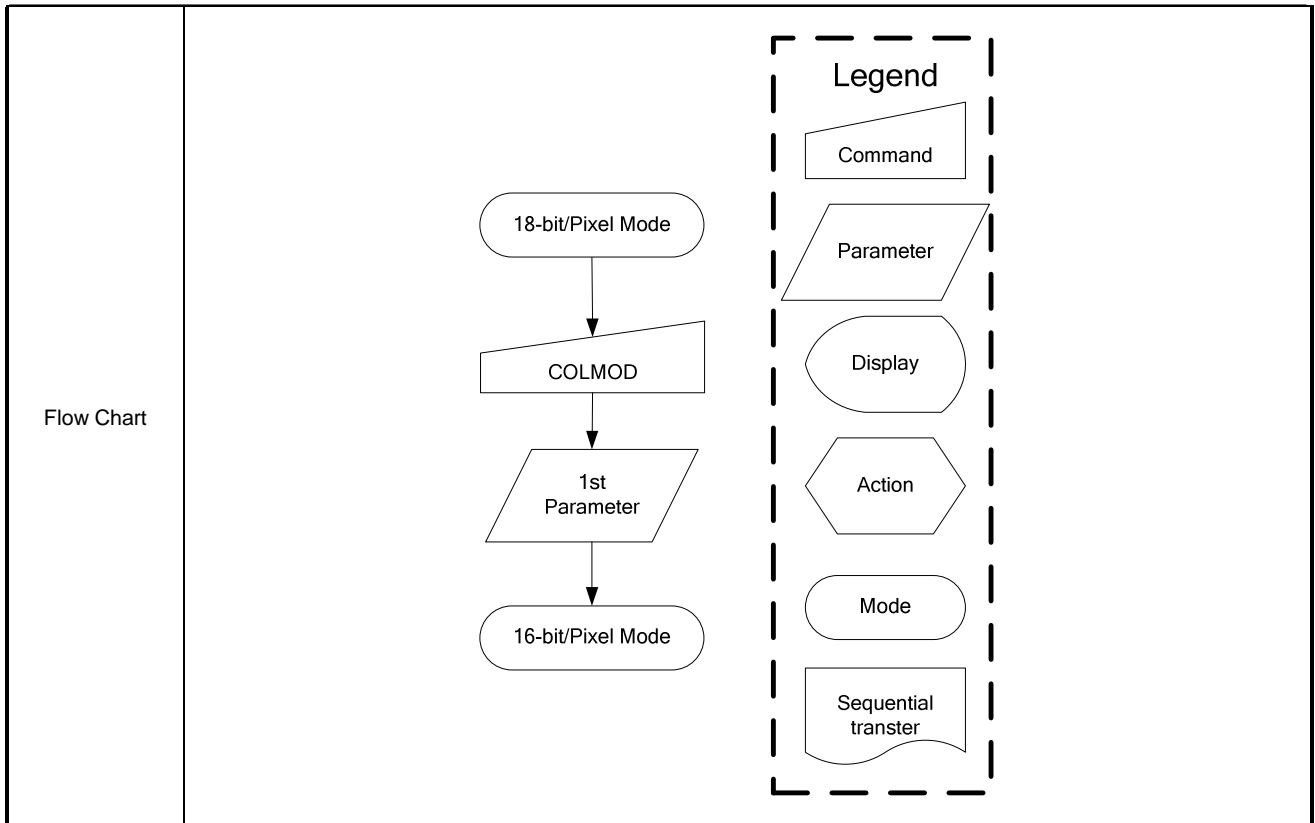
10.1.28 IDMON (39h): Idle Mode On

39H	IDMON (Idle Mode On)												HEX																																			
Inst / Para	D/CX	WRX	RDX	D17-8	D7	D6	D5	D4	D3	D2	D1	D0	HEX																																			
IDMOFF	0	↑	1	-	0	0	1	1	1	0	0	1	(39h)																																			
Parameter	No Parameter												-																																			
Description	<p>-This command is used to enter into Idle mode on.</p> <p>-There will be no abnormal visible effect on the display mode change transition.</p> <p>-In the idle on mode,</p> <ol style="list-style-type: none"> Color expression is reduced. The primary and the secondary colors using MSB of each R,G and B in the Frame Memory, 8 color depth data is displayed. 8-Color mode frame frequency is applied. Exit from IDMON by Idle Mode Off (38h) command 																																															
	<div style="display: flex; align-items: center; justify-content: center;"> <div style="text-align: center; margin-right: 20px;"> <p>Top-Left (0,0)</p> </div> <div style="margin-right: 20px;"> <p>(Example) Memory</p> </div> <div style="margin-right: 20px;"> </div> <div style="text-align: center;"> <p>Display</p> </div> </div> <table border="1" style="margin-top: 20px; width: 100%; border-collapse: collapse;"> <thead> <tr style="background-color: #ffff00;"> <th>Color</th> <th>R5 R4 R3 R2 R1 R0</th> <th>G5 G4 G3 G2 G1 G0</th> <th>B5 B4 B3 B4 B1 B0</th> </tr> </thead> <tbody> <tr> <td>Black</td> <td>0xxxxx</td> <td>0xxxxx</td> <td>0xxxxx</td> </tr> <tr> <td>Blue</td> <td>0xxxxx</td> <td>0xxxxx</td> <td>1xxxxx</td> </tr> <tr> <td>Red</td> <td>1xxxxx</td> <td>0xxxxx</td> <td>0xxxxx</td> </tr> <tr> <td>Magenta</td> <td>1xxxxx</td> <td>0xxxxx</td> <td>1xxxxx</td> </tr> <tr> <td>Green</td> <td>0xxxxx</td> <td>1xxxxx</td> <td>0xxxxx</td> </tr> <tr> <td>Cyan</td> <td>0xxxxx</td> <td>1xxxxx</td> <td>1xxxxx</td> </tr> <tr> <td>Yellow</td> <td>1xxxxx</td> <td>1xxxxx</td> <td>0xxxxx</td> </tr> <tr> <td>White</td> <td>1xxxxx</td> <td>1xxxxx</td> <td>1xxxxx</td> </tr> </tbody> </table>													Color	R5 R4 R3 R2 R1 R0	G5 G4 G3 G2 G1 G0	B5 B4 B3 B4 B1 B0	Black	0xxxxx	0xxxxx	0xxxxx	Blue	0xxxxx	0xxxxx	1xxxxx	Red	1xxxxx	0xxxxx	0xxxxx	Magenta	1xxxxx	0xxxxx	1xxxxx	Green	0xxxxx	1xxxxx	0xxxxx	Cyan	0xxxxx	1xxxxx	1xxxxx	Yellow	1xxxxx	1xxxxx	0xxxxx	White	1xxxxx	1xxxxx
Color	R5 R4 R3 R2 R1 R0	G5 G4 G3 G2 G1 G0	B5 B4 B3 B4 B1 B0																																													
Black	0xxxxx	0xxxxx	0xxxxx																																													
Blue	0xxxxx	0xxxxx	1xxxxx																																													
Red	1xxxxx	0xxxxx	0xxxxx																																													
Magenta	1xxxxx	0xxxxx	1xxxxx																																													
Green	0xxxxx	1xxxxx	0xxxxx																																													
Cyan	0xxxxx	1xxxxx	1xxxxx																																													
Yellow	1xxxxx	1xxxxx	0xxxxx																																													
White	1xxxxx	1xxxxx	1xxxxx																																													
Register Availability	Status						Availability																																									
	Normal Mode On, Idle Mode Off, Sleep Out						Yes																																									
	Normal Mode On, Idle Mode On, Sleep Out						Yes																																									
	Partial Mode On, Idle Mode Off, Sleep Out						No																																									
	Partial Mode On, Idle Mode On, Sleep Out						No																																									
Sleep In						Yes																																										
Default	Status						Default Value																																									
	Power On Sequence						Idle Mode Off																																									
	S/W Reset						Idle Mode Off																																									
	H/W Reset						Idle Mode Off																																									



10.1.29 COLMOD (3Ah): Interface Pixel Format

3AH	COLMOD (3Ah): Interface Pixel Format																											
Inst / Para	D/CX	WRX	RDX	D17-8	D7	D6	D5	D4	D3	D2	D1	D0	HEX															
COLMOD	0	↑	1	-	0	0	1	1	1	0	1	0	(3Ah)															
Parameter	1	↑	1	-	-	-	-	-	-	IFPF2	IFPF1	IFPF0																
Description	<p>This command is used to define the format of RGB picture data, which is to be transferred via the MCU interface. The formats are shown in the table:</p> <table border="1"> <thead> <tr> <th>IFPF[2:0]</th> <th>MCU Interface Color Format</th> </tr> </thead> <tbody> <tr> <td>011</td> <td>3 12-bit/pixel</td> </tr> <tr> <td>101</td> <td>5 16-bit/pixel</td> </tr> <tr> <td>110</td> <td>6 18-bit/pixel</td> </tr> <tr> <td>111</td> <td>7 No used</td> </tr> </tbody> </table> <p><i>Note1: In 12-bit/Pixel, 16-bit/Pixel or 18-bit/Pixel mode, the LUT is applied to transfer data into the Frame Memory.</i> <i>Note2: The Command 3Ah should be set at 55h when writing 16-bit/pixel data into frame memory, but 3Ah should be re-set to 66h when reading pixel data from frame memory. Please check the LUT in chapter 9.17 when using memory read function.</i></p>													IFPF[2:0]	MCU Interface Color Format	011	3 12-bit/pixel	101	5 16-bit/pixel	110	6 18-bit/pixel	111	7 No used					
	IFPF[2:0]	MCU Interface Color Format																										
011	3 12-bit/pixel																											
101	5 16-bit/pixel																											
110	6 18-bit/pixel																											
111	7 No used																											
Register Availability	<table border="1"> <thead> <tr> <th>Status</th> <th>Availability</th> </tr> </thead> <tbody> <tr> <td>Normal Mode On, Idle Mode Off, Sleep Out</td> <td>Yes</td> </tr> <tr> <td>Normal Mode On, Idle Mode On, Sleep Out</td> <td>Yes</td> </tr> <tr> <td>Partial Mode On, Idle Mode Off, Sleep Out</td> <td>No</td> </tr> <tr> <td>Partial Mode On, Idle Mode On, Sleep Out</td> <td>No</td> </tr> <tr> <td>Sleep In</td> <td>Yes</td> </tr> </tbody> </table>													Status	Availability	Normal Mode On, Idle Mode Off, Sleep Out	Yes	Normal Mode On, Idle Mode On, Sleep Out	Yes	Partial Mode On, Idle Mode Off, Sleep Out	No	Partial Mode On, Idle Mode On, Sleep Out	No	Sleep In	Yes			
Status	Availability																											
Normal Mode On, Idle Mode Off, Sleep Out	Yes																											
Normal Mode On, Idle Mode On, Sleep Out	Yes																											
Partial Mode On, Idle Mode Off, Sleep Out	No																											
Partial Mode On, Idle Mode On, Sleep Out	No																											
Sleep In	Yes																											
Default	<table border="1"> <thead> <tr> <th>Status</th> <th colspan="2">Default Value</th> </tr> <tr> <td></td> <th>IFPF[2:0]</th> <th>VIPF[3:0]</th> </tr> </thead> <tbody> <tr> <td>Power On Sequence</td> <td>0110(18-bit/Pixel)</td> <td>0110(18-bit/Pixel)</td> </tr> <tr> <td>S/W Reset</td> <td>No Change</td> <td>No Change</td> </tr> <tr> <td>H/W Reset</td> <td>0110(18-bit/Pixel)</td> <td>0110(18-bit/Pixel)</td> </tr> </tbody> </table>													Status	Default Value			IFPF[2:0]	VIPF[3:0]	Power On Sequence	0110(18-bit/Pixel)	0110(18-bit/Pixel)	S/W Reset	No Change	No Change	H/W Reset	0110(18-bit/Pixel)	0110(18-bit/Pixel)
Status	Default Value																											
	IFPF[2:0]	VIPF[3:0]																										
Power On Sequence	0110(18-bit/Pixel)	0110(18-bit/Pixel)																										
S/W Reset	No Change	No Change																										
H/W Reset	0110(18-bit/Pixel)	0110(18-bit/Pixel)																										



10.1.30 RDID1 (DAh): Read ID1 Value

DAH	RDID1 (Read ID1 Value)																								
Inst / Para	D/CX	WRX	RDX	D17-8	D7	D6	D5	D4	D3	D2	D1	D0	HEX												
RDID1	0	↑	1	-	1	1	0	1	1	0	1	0	(DAh)												
1st parameter	1	1	↑	-	-	-	-	-	-	-	-	-	-												
2nd parameter	1	1	↑	-	ID17	ID16	ID15	ID14	ID13	ID12	ID11	ID10													
Description	-This read byte returns 8-bit LCD module's manufacturer ID -The 1st parameter is dummy data -The 2nd parameter (ID17 to ID10): LCD module's manufacturer ID. NOTE: See command RDDID (04h), 2nd parameter.																								
Register Availability	<table border="1"> <thead> <tr> <th>Status</th> <th>Availability</th> </tr> </thead> <tbody> <tr> <td>Normal Mode On, Idle Mode Off, Sleep Out</td> <td>Yes</td> </tr> <tr> <td>Normal Mode On, Idle Mode On, Sleep Out</td> <td>Yes</td> </tr> <tr> <td>Partial Mode On, Idle Mode Off, Sleep Out</td> <td>No</td> </tr> <tr> <td>Partial Mode On, Idle Mode On, Sleep Out</td> <td>No</td> </tr> <tr> <td>Sleep In</td> <td>Yes</td> </tr> </tbody> </table>													Status	Availability	Normal Mode On, Idle Mode Off, Sleep Out	Yes	Normal Mode On, Idle Mode On, Sleep Out	Yes	Partial Mode On, Idle Mode Off, Sleep Out	No	Partial Mode On, Idle Mode On, Sleep Out	No	Sleep In	Yes
Status	Availability																								
Normal Mode On, Idle Mode Off, Sleep Out	Yes																								
Normal Mode On, Idle Mode On, Sleep Out	Yes																								
Partial Mode On, Idle Mode Off, Sleep Out	No																								
Partial Mode On, Idle Mode On, Sleep Out	No																								
Sleep In	Yes																								
Default	<table border="1"> <thead> <tr> <th>Status</th> <th>Default Value</th> </tr> </thead> <tbody> <tr> <td>Power On Sequence</td> <td>-</td> </tr> <tr> <td>S/W Reset</td> <td>-</td> </tr> <tr> <td>H/W Reset</td> <td>-</td> </tr> </tbody> </table>													Status	Default Value	Power On Sequence	-	S/W Reset	-	H/W Reset	-				
Status	Default Value																								
Power On Sequence	-																								
S/W Reset	-																								
H/W Reset	-																								
Flow Chart	<div style="display: flex; justify-content: space-around;"> <div style="text-align: center;"> <p>Serial I/F Mode</p> </div> <div style="text-align: center;"> <p>Parallel I/F Mode</p> </div> </div> <div style="border: 1px dashed black; padding: 10px; margin-top: 20px;"> <p>Legend</p> <ul style="list-style-type: none"> Command Parameter Display Action Mode Sequential transfer </div>																								

10.1.31 RDID2 (DBh): Read ID2 Value

DBH	RDID2 (Read ID2 Value)																											
Inst / Para	D/CX	WRX	RDX	D17-8	D7	D6	D5	D4	D3	D2	D1	D0	HEX															
RDID2	0	↑	1	-	1	1	0	1	1	0	1	1	(DBh)															
1 st parameter	1	1	↑	-	-	-	-	-	-	-	-	-	-															
2 nd parameter	1	1	↑	-	1	ID26	ID25	ID24	ID23	ID22	ID21	ID20																
Description	-This read byte returns 8-bit LCD module/driver version ID -The 1st parameter is dummy data -The 2nd parameter (ID26 to ID20): LCD module/driver version ID -Parameter Range: ID=80h to FFh																											
	<table border="1"> <thead> <tr> <th>ID26 to ID20</th> <th>Version</th> <th>Changes</th> </tr> </thead> <tbody> <tr> <td>80h</td> <td></td> <td></td> </tr> <tr> <td>81h</td> <td></td> <td></td> </tr> <tr> <td>82h</td> <td></td> <td></td> </tr> <tr> <td>83h</td> <td></td> <td></td> </tr> </tbody> </table>													ID26 to ID20	Version	Changes	80h			81h			82h			83h		
	ID26 to ID20	Version	Changes																									
	80h																											
	81h																											
82h																												
83h																												
NOTE: See command RDDID (04h), 3rd parameter.																												
Register Availability	<table border="1"> <thead> <tr> <th>Status</th> <th>Availability</th> </tr> </thead> <tbody> <tr> <td>Normal Mode On, Idle Mode Off, Sleep Out</td> <td>Yes</td> </tr> <tr> <td>Normal Mode On, Idle Mode On, Sleep Out</td> <td>Yes</td> </tr> <tr> <td>Partial Mode On, Idle Mode Off, Sleep Out</td> <td>No</td> </tr> <tr> <td>Partial Mode On, Idle Mode On, Sleep Out</td> <td>No</td> </tr> <tr> <td>Sleep In</td> <td>Yes</td> </tr> </tbody> </table>													Status	Availability	Normal Mode On, Idle Mode Off, Sleep Out	Yes	Normal Mode On, Idle Mode On, Sleep Out	Yes	Partial Mode On, Idle Mode Off, Sleep Out	No	Partial Mode On, Idle Mode On, Sleep Out	No	Sleep In	Yes			
	Status	Availability																										
	Normal Mode On, Idle Mode Off, Sleep Out	Yes																										
	Normal Mode On, Idle Mode On, Sleep Out	Yes																										
	Partial Mode On, Idle Mode Off, Sleep Out	No																										
Partial Mode On, Idle Mode On, Sleep Out	No																											
Sleep In	Yes																											
Default	<table border="1"> <thead> <tr> <th>Status</th> <th>Default Value</th> </tr> </thead> <tbody> <tr> <td>Power On Sequence</td> <td>NV value</td> </tr> <tr> <td>S/W Reset</td> <td>NV value</td> </tr> <tr> <td>H/W Reset</td> <td>NV value</td> </tr> </tbody> </table>													Status	Default Value	Power On Sequence	NV value	S/W Reset	NV value	H/W Reset	NV value							
	Status	Default Value																										
	Power On Sequence	NV value																										
	S/W Reset	NV value																										
H/W Reset	NV value																											
Flow Chart	<div style="display: flex; justify-content: space-around;"> <div style="text-align: center;"> <p>Serial I/F Mode</p> </div> <div style="text-align: center;"> <p>Parallel I/F Mode</p> </div> </div> <div style="margin-top: 20px;"> <p>Legend</p> <ul style="list-style-type: none"> Command Parameter Display Action Mode Sequential transfer </div>																											

10.1.32 RDID3 (DCh): Read ID3 Value

DCH	RDID3 (Read ID2 Value)																								
Inst / Para	D/CX	WRX	RDX	D17-8	D7	D6	D5	D4	D3	D2	D1	D0	HEX												
RDID3	0	↑	1	-	1	1	0	1	1	1	0	0	(DCh)												
1 st parameter	1	1	↑	-	-	-	-	-	-	-	-	-	-												
2 nd parameter	1	1	↑	-	ID37	ID36	ID35	ID34	ID33	ID32	ID31	ID30													
Description	<p>-This read byte returns 8-bit LCD module/driver ID.</p> <p>-The 1st parameter is dummy data</p> <p>-The 2nd parameter (ID37 to ID30): LCD module/driver ID.</p> <p>NOTE: See command RDDID (04h), 4th parameter.</p>																								
Register Availability	<table border="1"> <thead> <tr> <th>Status</th> <th>Availability</th> </tr> </thead> <tbody> <tr> <td>Normal Mode On, Idle Mode Off, Sleep Out</td> <td>Yes</td> </tr> <tr> <td>Normal Mode On, Idle Mode On, Sleep Out</td> <td>Yes</td> </tr> <tr> <td>Partial Mode On, Idle Mode Off, Sleep Out</td> <td>No</td> </tr> <tr> <td>Partial Mode On, Idle Mode On, Sleep Out</td> <td>No</td> </tr> <tr> <td>Sleep In</td> <td>Yes</td> </tr> </tbody> </table>													Status	Availability	Normal Mode On, Idle Mode Off, Sleep Out	Yes	Normal Mode On, Idle Mode On, Sleep Out	Yes	Partial Mode On, Idle Mode Off, Sleep Out	No	Partial Mode On, Idle Mode On, Sleep Out	No	Sleep In	Yes
Status	Availability																								
Normal Mode On, Idle Mode Off, Sleep Out	Yes																								
Normal Mode On, Idle Mode On, Sleep Out	Yes																								
Partial Mode On, Idle Mode Off, Sleep Out	No																								
Partial Mode On, Idle Mode On, Sleep Out	No																								
Sleep In	Yes																								
Default	<table border="1"> <thead> <tr> <th>Status</th> <th>Default Value</th> </tr> </thead> <tbody> <tr> <td>Power On Sequence</td> <td>NV value</td> </tr> <tr> <td>S/W Reset</td> <td>NV value</td> </tr> <tr> <td>H/W Reset</td> <td>NV value</td> </tr> </tbody> </table>													Status	Default Value	Power On Sequence	NV value	S/W Reset	NV value	H/W Reset	NV value				
Status	Default Value																								
Power On Sequence	NV value																								
S/W Reset	NV value																								
H/W Reset	NV value																								
Flow Chart	<div style="display: flex; justify-content: space-around;"> <div style="text-align: center;"> <p>Serial I/F Mode</p> </div> <div style="text-align: center;"> <p>Parallel I/F Mode</p> </div> </div> <div style="margin-top: 20px;"> <p style="text-align: center;">Host Display</p> </div> <div style="border: 1px dashed black; padding: 10px; margin-top: 20px;"> <p>Legend</p> <ul style="list-style-type: none"> Command Parameter Display Action Mode Sequential transfer </div>																								

10.2 Panel Function Command List and Description

Table 10.2.1 Panel Function Command List (1)

Instruction	Refer	D/CX	WRX	RDX	D23-8	D7	D6	D5	D4	D3	D2	D1	D0	Hex	Function
FRMCTR1	10.2.1	0	↑	1	-	1	0	1	1	0	0	0	1	(B1h)	In normal mode (Full colors)
		1	↑	1	-					RTNA3	RTNA2	RTNA1	RTNA0		RTNA set 1-line period FPA: front porch BPA: back porch
		1	↑	1	-			FPA5	FPA4	FPA3	FPA2	FPA1	FPA0		
		1	↑	1	-			BPA5	BPA4	BPA3	BPA2	BPA1	BPA0		
FRMCTR2	10.2.2	0	↑	1	-	1	0	1	1	0	0	1	0	(B2h)	In Idle mode (8-colors)
		1	↑	1	-					RTNB3	RTNB2	RTNB1	RTNB0		RTNB: set 1-line period FPB: front porch BPB: back porch
		1	↑	1	-			FPB5	FPB4	FPB3	FPB2	FPB1	FPB0		
		1	↑	1	-			BPB5	BPB4	BPB3	BPB2	BPB1	BPB0		
FRMCTR3	10.2.3	0	↑	1	-	1	0	1	1	0	0	1	1	(B3h)	In partial mode + Full colors
		1	↑	1	-					RTNC3	RTNC2	RTNC1	RTNC0		RTNC,RTND: set 1-line period FPC,FPD: front porch BPC,BPD: back porch
		1	↑	1	-			FPC5	FPC4	FPC3	FPC2	FPC1	FPC0		
		1	↑	1	-			BPC5	BPC4	BPC3	BPC2	BPC1	BPC0		
		1	↑	1	-					RTND3	RTND2	RTND1	RTND0		
		1	↑	1	-			FPD5	FPD4	FPD3	FPD2	FPD1	FPD0		
		1	↑	1	-			BPD5	BPD4	BPD3	BPD2	BPD1	BPD0		
INVCTR	10.2.4	0	↑	1	-	1	0	1	1	0	1	0	0	(B4h)	Display inversion control
		1	↑	1	-	0	0	0	0	0	NLA	NLB	NLC		NLA,NLB,NLC set inversion
DISSET5	10.2.5	0	↑	1	-	1	0	1	1	0	1	1	0	(B6h)	Display function setting
		1	↑	1	-	0	0	NO1	NO0	SDT1	SDT0	EQ1	EQ0		SDT: set amount of source delay EQ: set EQ period
		1	↑	1	-	0	0	0	0	PTG1	PTG0	PT1	PT0		PT: No display area source/VCOM/Gate output control

ST7715

Table 10.2.2 Panel Function Command List (2)

Instruction	Refer	D/CX	WRX	RDX	D17-8	D7	D6	D5	D4	D3	D2	D1	D0	Hex	Function
PWCTR1	10.2.6	0	↑	1	-	1	1	0	0	0	0	0	0	(C0h)	Power control setting
		1	↑	1	-	0	0	0	VRH4	VRH3	VRH2	VRH1	VRH0		VRH: Set the GVDD voltage VC: Set the VC11 voltage
		1	↑	1	-	0	1	IB-SEL1	IB-SEL0	0	0	0	0		
PWCTR2	10.2.7	0	↑	1	-	1	1	0	0	0	0	0	1	(C1h)	Power control setting
		1	↑	1	-	0	0	0	0	0	BT2	BT1	BT0		BT: set VGH/ VGL voltage
PWCTR3	10.2.8	0	↑	1	-	1	1	0	0	0	0	1	0	(C2h)	In normal mode (Full colors)
		1	↑	1	-	0	0	0	0	0	APA2	APA1	APA0		APA: adjust the operational amplifier DCA: adjust the booster Voltage
					-	0	0	0	0	0	0	0	0		
		1	↑	1	-	0	0	0	0	0	DCA2	DCA1	DCA0		
			-	0	0	0	0	0	0	0	0				
PWCTR4	10.2.9	0	↑	1	-	1	1	0	0	0	0	1	1	(C3h)	In Idle mode (8-colors)
		1	↑	1	-	0	0	0	0	0	APB2	APB1	APB0		APB: adjust the operational amplifier DCB: adjust the booster Voltage
					-	0	0	0	0	0	0	0	0		
		1	↑	1	-	0	0	0	0	0	DCB2	DCB1	DCB0		
			-	0	0	0	0	0	0	0	0				
PWCTR5	10.2.10	0	↑	1	-	1	1	0	0	0	1	0	0	(C4h)	In partial mode + Full
		1	↑	1	-	0	0	0	0	0	APC2	APC1	APC0		APC: adjust the operational amplifier DCC: adjust the booster circuit for Idle mode
		1	↑	1	-	0	0	0	0	0	DCC2	DCC1	DCC0		
VMCTR1	10.2.11	0	↑	1	-	1	1	0	0	0	1	0	1	(C5h)	VCOM control 1
		1	↑	1	-	-	VMH6	VMH5	VMH4	VMH3	VMH2	VMH1	VMH0		VMH: VCOMH voltage control VML: VCOML voltage control
		1	↑	1	-	-	VML6	VML5	VML4	VML3	VML2	VML1	VML0		
VMOFCTR	10.2.12	0	↑	1	-	1	1	0	0	0	1	1	1	(C7h)	Set VCOM offset control
		1	↑	1	-	-	-	-	VMF4	VMF3	VMF2	VMF1	VMF0		
WRID2	10.2.13	0	↑	1	-	1	1	0	1	0	0	0	1	(D1h)	Set LCM version code
		1	↑	1	-	-	ID2[6]	ID2[5]	ID2[4]	ID2[3]	ID2[2]	ID2[1]	ID2[0]		

"-": Don't care

Note 1: C0h to C7h are fixed for about power controller

ST7715

Table 10.2.3 Panel Function Command List (3)

Instruction	Refer	D/CX	WRX	RDX	D17-8	D7	D6	D5	D4	D3	D2	D1	D0	Hex	Function
WRID3	10.2.14	0	↑	1	-	1	1	0	1	0	0	1	0	(D2h)	Customer Project code
		1	↑	1	-	ID37	ID36	ID35	ID34	ID33	ID32	ID31	ID30		Set the project code at ID3
PWCTR6	10.2.15	0	↑	1	-	1	1	1	1	1	1	0	0	(FCh)	In partial mode + Idle
		1	↑	1	-	-	Sapa [2]	Sapa [1]	Sapa [0]	---	Sapb [2]	Sapb [1]	Sapb [0]		
		1	↑	1	-	-	Sapc [2]	Sapc [1]	Sapc [0]	---	DCD [2]	DCD [1]	DCD [0]		
NVCTR1	10.2.16	0	↑	1	-	1	1	0	1	1	0	0	1	(D9h)	EEPROM control status
		1	↑	1	-	0	0	VMF_EN	ID2_EN	0	0	0	0		
NVCTR2	10.2.17	0	↑	1	-	1	1	0	1	1	1	1	0	(DEh)	EEPROM Read Command
		1	↑	1	-	1	0	1	0	0	1	0	1	A5	Action code
NVCTR3	10.2.18	0	↑	1	-	1	1	0	1	1	1	1	1	(DFh)	EEPROM Write Command
		1	↑	1	-	EE_IB7	EE_IB6	EE_IB5	EE_IB4	EE_IB3	EE_IB2	EE_IB1	EE_IB0		
		1	↑	1	-	EE_CMD7	EE_CMD6	EE_CMD5	EE_CMD4	EE_CMD3	EE_CMD2	EE_CMD1	EE_CMD0		
		1	↑	1	-	1	0	1	0	0	1	0	1	A5	

"-": Don't care

Note 1: The D1h to D2h registers are fixed for about ID code setting.

Note 2: The D9h, DEh and DFh registers are used for NV Memory function controller. (Ex: write, clear, etc.)

ST7715

Table 10.2.4 Panel Function Command List (4)

Instruction	Refer	D/CX	WRX	RDX	D17-8	D7	D6	D5	D4	D3	D2	D1	D0	Hex	Function
GAMCTRP1	10.2.19	0	↑	1	-	1	1	1	0	0	0	0	0	(E0h)	Set
		1	↑	1	-	---	---	VRFP[5]	VRFP[4]	VRFP[3]	VRFP[2]	VRFP[1]	VRFP[0]	Gamma adjustment (+ polarity)	
		1	↑	1	-	---	---	VOS0P[5]	VOS0P[4]	VOS0P[3]	VOS0P[2]	VOS0P[1]	VOS0P[0]		
		1	↑	1	-	---	---	PKP0[5]	PKP0[4]	PKP0[3]	PKP0[2]	PKP0[1]	PKP0[0]		
		1	↑	1	-	---	---	PKP1[5]	PKP1[4]	PKP1[3]	PKP1[2]	PKP1[1]	PKP1[0]		
		1	↑	1	-	---	---	PKP2[5]	PKP2[4]	PKP2[3]	PKP2[2]	PKP2[1]	PKP2[0]		
		1	↑	1	-	---	---	PKP3[5]	PKP3[4]	PKP3[3]	PKP3[2]	PKP3[1]	PKP3[0]		
		1	↑	1	-	---	---	PKP4[5]	PKP4[4]	PKP4[3]	PKP4[2]	PKP4[1]	PKP4[0]		
		1	↑	1	-	---	---	PKP5[5]	PKP5[4]	PKP5[3]	PKP5[2]	PKP5[1]	PKP5[0]		
		1	↑	1	-	---	---	PKP6[5]	PKP6[4]	PKP6[3]	PKP6[2]	PKP6[1]	PKP6[0]		
		1	↑	1	-	---	---	PKP7[5]	PKP7[4]	PKP7[3]	PKP7[2]	PKP7[1]	PKP7[0]		
		1	↑	1	-	---	---	PKP8[5]	PKP8[4]	PKP8[3]	PKP8[2]	PKP8[1]	PKP8[0]		
		1	↑	1	-	---	---	PKP9[5]	PKP9[4]	PKP9[3]	PKP9[2]	PKP9[1]	PKP9[0]		
		1	↑	1	-	---	---	SELV0P[5]	SELV0P[4]	SELV0P[3]	SELV0P[2]	SELV0P[1]	SELV0P[0]		
		1	↑	1	-	---	---	SELV1P[5]	SELV1P[4]	SELV1P[3]	SELV1P[2]	SELV1P[1]	SELV1P[0]		
		1	↑	1	-	---	---	SELV62P[5]	SELV62P[4]	SELV62P[3]	SELV62P[2]	SELV62P[1]	SELV62P[0]		
1	↑	1	-	---	---	SELV63P[5]	SELV63P[4]	SELV63P[3]	SELV63P[2]	SELV63P[1]	SELV63P[0]				
GAMCTRN1	10.2.20	0	↑	1	-	1	1	1	0	0	0	0	1	(E1h)	Set
		1	↑	1	-	---	---	VRF0N[5]	VRF0N[4]	VRF0N[3]	VRF0N[2]	VRF0N[1]	VRF0N[0]	Gamma adjustment (- polarity)	
		1	↑	1	-	---	---	VOS0N[5]	VOS0N[4]	VOS0N[3]	VOS0N[2]	VOS0N[1]	VOS0N[0]		
		1	↑	1	-	---	---	PKN0[5]	PKN0[4]	PKN0[3]	PKN0[2]	PKN0[1]	PKN0[0]		
		1	↑	1	-	---	---	PKN1[5]	PKN1[4]	PKN1[3]	PKN1[2]	PKN1[1]	PKN1[0]		
		1	↑	1	-	---	---	PKN2[5]	PKN2[4]	PKN2[3]	PKN2[2]	PKN2[1]	PKN2[0]		
		1	↑	1	-	---	---	PKN3[5]	PKN3[4]	PKN3[3]	PKN3[2]	PKN3[1]	PKN3[0]		
		1	↑	1	-	---	---	PKN4[5]	PKN4[4]	PKN4[3]	PKN4[2]	PKN4[1]	PKN4[0]		
		1	↑	1	-	---	---	PKN5[5]	PKN5[4]	PKN5[3]	PKN5[2]	PKN5[1]	PKN5[0]		
		1	↑	1	-	---	---	PKN6[5]	PKN6[4]	PKN6[3]	PKN6[2]	PKN6[1]	PKN6[0]		
		1	↑	1	-	---	---	PKN7[5]	PKN7[4]	PKN7[3]	PKN7[2]	PKN7[1]	PKN7[0]		
		1	↑	1	-	---	---	PKN8[5]	PKN8[4]	PKN8[3]	PKN8[2]	PKN8[1]	PKN8[0]		
		1	↑	1	-	---	---	PKN9[5]	PKN9[4]	PKN9[3]	PKN9[2]	PKN9[1]	PKN9[0]		
		1	↑	1	-	---	---	SELV0N[5]	SELV0N[4]	SELV0N[3]	SELV0N[2]	SELV0N[1]	SELV0N[0]		
		1	↑	1	-	---	---	SELV1N[5]	SELV1N[4]	SELV1N[3]	SELV1N[2]	SELV1N[1]	SELV1N[0]		
		1	↑	1	-	---	---	SELV62N[5]	SELV62N[4]	SELV62N[3]	SELV62N[2]	SELV62N[1]	SELV62N[0]		
1	↑	1	-	---	---	SELV63N[5]	SELV63N[4]	SELV63N[3]	SELV63N[2]	SELV63N[1]	SELV63N[0]				
EXTCTRL	10.2.21	0	↑	1	-	1	1	1	1	0	0	0	0	(F0h)	Extension Command Control
		1	↑	1	-	0	0	0	0	0	0	0	1	01	
VCOM4L	10.2.22	0	↑	1	-	1	1	1	1	1	1	1	0	(FFh)	Vcom 4 Level Control
		1	↑	1	-	TC2[3]	TC2[2]	TC2[1]	TC2[0]	TC1[3]	TC1[2]	TC1[1]	TC1[0]		
		1	↑	1	-	-	-	-	-	TC3[3]	TC3[2]	TC3[1]	TC3[0]		
		1	↑	1	-	0	0	0	1	1	0	1	0		

"-": Don't care

Note 1: E0-E1 registers are fixed for adjusting Gamma

10.2.1 FRMCTR1 (B1h): Frame Rate Control (In normal mode/ Full colors)

B1H	FRMCTR1 (Frame Rate Control)																				
Inst / Para	D/CX	WRX	RDX	D17-8	D7	D6	D5	D4	D3	D2	D1	D0	HEX								
FRMCTR1	0	↑	1	-	1	0	1	1	0	0	0	1	(B1h)								
1 st parameter	1	↑	1	-	-	-	-	-	RTNA	RTNA	RTNA	RTNA									
2 nd parameter	1	↑	1	-	-	-	FPA5	FPA4	FPA3	FPA2	FPA1	FPA0									
3 rd parameter	1	↑	1	-	-	-	BPA5	BPA4	BPA3	BPA2	BPA1	BPA0									
Description	-Set the frame frequency of the full colors normal mode. - Frame rate=fosc/((RTNA + 20) x (LINE + FPA + BPA)) - $1 < FPA(\text{front porch}) + BPA(\text{back porch})$; Back porch $\neq 0$																				
Default	<table border="1"> <thead> <tr> <th>Status</th> <th>Default Value</th> </tr> </thead> <tbody> <tr> <td>Power On Sequence</td> <td>08h/22h/23h</td> </tr> <tr> <td>S/W Reset</td> <td>08h/22h/23h</td> </tr> <tr> <td>H/W Reset</td> <td>08h/22h/23h</td> </tr> </tbody> </table>													Status	Default Value	Power On Sequence	08h/22h/23h	S/W Reset	08h/22h/23h	H/W Reset	08h/22h/23h
Status	Default Value																				
Power On Sequence	08h/22h/23h																				
S/W Reset	08h/22h/23h																				
H/W Reset	08h/22h/23h																				
Flow Chart	<div style="display: flex; align-items: center; justify-content: center;"> <div style="text-align: center; margin-right: 20px;"> <pre> graph TD A[FRMCTR1] --> B[/1st Parameter 2nd parameter/] </pre> </div> <div style="border: 1px dashed black; padding: 10px;"> <p>Legend</p> <ul style="list-style-type: none"> Command: Rectangle Parameter: Parallelogram Display: Oval Action: Hexagon Mode: Capsule Sequential transfer: Wavy-bottom rectangle </div> </div>																				

10.2.2 FRMCTR2 (B2h): Frame Rate Control (In Idle mode/ 8-colors)

B2H	FRMCTR2 (Frame Rate Control)												HEX								
Inst / Para	D/CX	WRX	RDX	D17-8	D7	D6	D5	D4	D3	D2	D1	D0									
FRMCTR2	0	↑	1	-	1	0	1	1	0	0	1	0	(B2h)								
1 st parameter	1	↑	1	-	-	-	-	-	RTNB	RTNB	RTNB	RTNB									
2 nd parameter	1	↑	1	-	-	-	FPB5	FPB4	FPB3	FPB2	FPB1	FPB0									
3 rd parameter	1	↑	1	-	-	-	BPB5	BPB4	BPB3	BPB2	BPB1	BPB0									
Description	-Set the frame frequency of the Idle mode. - Frame rate=fosc/((RTNB + 20) x (LINE + FPB + BPB)) - $1 < \text{FPB}(\text{front porch}) + \text{BPB}(\text{back porch})$; Back porch $\neq 0$																				
Default	<table border="1"> <thead> <tr> <th>Status</th> <th>Default Value</th> </tr> </thead> <tbody> <tr> <td>Power On Sequence</td> <td>08h/22h/23h</td> </tr> <tr> <td>S/W Reset</td> <td>08h/22h/23h</td> </tr> <tr> <td>H/W Reset</td> <td>08h/22h/23h</td> </tr> </tbody> </table>													Status	Default Value	Power On Sequence	08h/22h/23h	S/W Reset	08h/22h/23h	H/W Reset	08h/22h/23h
Status	Default Value																				
Power On Sequence	08h/22h/23h																				
S/W Reset	08h/22h/23h																				
H/W Reset	08h/22h/23h																				
Flow Chart	<pre> graph TD FRMCTR2[FRMCTR2] --> P1[/1st Parameter 2nd parameter/] </pre> <p>Legend</p> <ul style="list-style-type: none"> Command: Rectangle Parameter: Parallelogram Display: Oval Action: Hexagon Mode: Rounded rectangle Sequential transfer: Rectangle with wavy bottom 																				

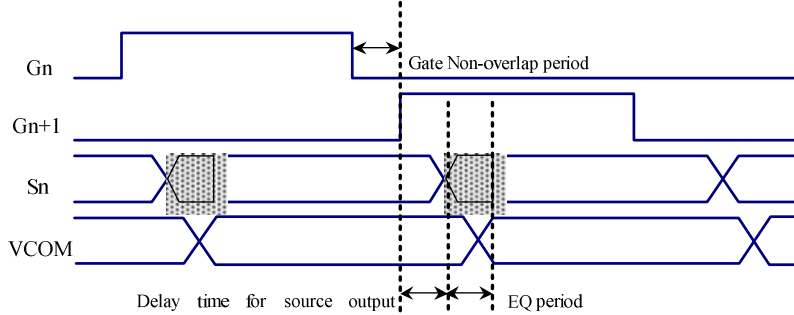
10.2.3 FRMCTR3 (B3h): Frame Rate Control (In Partial mode/ full colors)

B3H	FRMCTR3 (Frame Rate Control)												HEX								
Inst / Para	D/CX	WRX	RDX	D17-8	D7	D6	D5	D4	D3	D2	D1	D0									
FRMCTR3	0	↑	1	-	1	0	1	1	0	0	1	1	(B3h)								
1 st parameter	1	↑	1	-	-	-	-	-	RTNC	RTNC	RTNC	RTNC									
2 nd parameter	1	↑	1	-	-	-	FPC5	FPC4	FPC3	FPC2	FPC1	FPC0									
3 rd parameter	1	↑	1	-	-	-	BPC5	BPC4	BPC3	BPC2	BPC1	BPC0									
4 th parameter	1	↑	1	-	-	-	-	-	RTND	RTND	RTND	RTND									
5 th parameter	1	↑	1	-	-	-	FPD5	FPD4	FPD3	FPD2	FPD1	FPD0									
6 th parameter	1	↑	1	-	-	-	BPD5	BPD4	BPD3	BPD2	BPD1	BPD0									
Description	<p>-Set the frame frequency of the Partial mode/ full colors.</p> <p>- 1st parameter to 3rd parameter are used in line inversion mode.</p> <p>- 4th parameter to 6th parameter are used in frame inversion mode.</p> <p>- Frame rate=fosc/((RTNC + 20) x (LINE + FPC + BPC))</p> <p>- 1 < FPC(front porch) + BPC(back porch) ; Back porch ≠ 0</p>																				
Default	<table border="1"> <thead> <tr> <th>Status</th> <th>Default Value</th> </tr> </thead> <tbody> <tr> <td>Power On Sequence</td> <td>08h/22h/23h /08h/22h/23h</td> </tr> <tr> <td>S/W Reset</td> <td>08h/22h/23h /08h/22h/23h</td> </tr> <tr> <td>H/W Reset</td> <td>08h/22h/23h /08h/22h/23h</td> </tr> </tbody> </table>													Status	Default Value	Power On Sequence	08h/22h/23h /08h/22h/23h	S/W Reset	08h/22h/23h /08h/22h/23h	H/W Reset	08h/22h/23h /08h/22h/23h
Status	Default Value																				
Power On Sequence	08h/22h/23h /08h/22h/23h																				
S/W Reset	08h/22h/23h /08h/22h/23h																				
H/W Reset	08h/22h/23h /08h/22h/23h																				
Flow Chart	<div style="display: flex; align-items: center; justify-content: center;"> <div style="text-align: center; margin-right: 20px;"> <pre> graph TD A[FRMCTR3] --> B[/1st Parameter 2nd parameter/] </pre> </div> <div style="border: 1px dashed black; padding: 10px;"> <p>Legend</p> <ul style="list-style-type: none"> Command Parameter Display Action Mode Sequential transter </div> </div>																				

10.2.4 INVCTR (B4h): Display Inversion Control

B4H	INVCTR (Display Inversion Control)												
Inst / Para	D/CX	WRX	RDX	D17-8	D7	D6	D5	D4	D3	D2	D1	D0	HEX
INVCTR	0	↑	1	-	1	0	1	1	0	1	0	0	(B4h)
Parameter	1	↑	1	-	0	0	0	0	0	NLA	NLB	NLC	
Description	-Display Inversion mode control												
	-NLA: Inversion setting in full colors normal mode (Normal mode on)												
	NLA		Inversion setting in full Colors normal mode										
	0		Line Inversion										
	1		Frame Inversion										
	-NLB: Inversion setting in Idle mode (Idle mode on)												
NLB		Inversion setting in Idle mode											
0		Line Inversion											
1		Frame Inversion											
-NLC: Inversion setting in full colors partial mode (Partial mode on / Idle mode off)													
NLC		Inversion setting in full Colors partial mode											
0		Line Inversion											
1		Frame Inversion											
Default	Status				Default Value								
		NLA	NLB	NLC	B4h								
	Power On Sequence	1d	1d	1d	03h								
	S/W Reset	1d	1d	1d	03h								
	H/W Reset	1d	1d	1d	03h								
Flow Chart	<pre> graph TD INVCTR[INVCTR] --> Param[/1st Parameter/] </pre>												
	<p>Legend</p> <ul style="list-style-type: none"> Command Parameter Display Action Mode Sequential transfer 												

10.2.5 DISSET5 (B6h): Display Function set 5

B6H	DISSET (Display Function set 5)												HEX																																																																										
Inst / Para	D/CX	WRX	RDX	D17-	D7	D6	D5	D4	D3	D2	D1	D0	HEX																																																																										
DISSET5	0	↑	1	-	1	0	1	1	0	1	1	0	(B6h)																																																																										
1 st parameter	1	↑	1	-	0	0	NO1	NO0	SDT1	SDT0	EQ1	EQ0																																																																											
2 nd parameter	1	↑	1	-	0	0	0	0	PTG1	PTG0	PT1	PT0																																																																											
Description	<p>1st parameter: Set output waveform relation. -NO[1:0]: Set the amount of non-overlap of the gate output</p> <table border="1"> <thead> <tr> <th>NO[1:0]</th> <th>Amount of non-overlap of the gate output</th> </tr> </thead> <tbody> <tr> <td></td> <td>Refer the Internal oscillator</td> </tr> <tr> <td>00</td> <td>0 1 clock cycle</td> </tr> <tr> <td>01</td> <td>1 2 clock cycle</td> </tr> <tr> <td>10</td> <td>2 4 clock cycle</td> </tr> <tr> <td>11</td> <td>3 6 clock cycle</td> </tr> </tbody> </table> <p>-SDT[1:0]: Set delay amount from gate signal falling edge of the source output.</p> <table border="1"> <thead> <tr> <th>SDT[1:0]</th> <th>Amount of non-overlap of the gate output</th> </tr> </thead> <tbody> <tr> <td></td> <td>Refer the Internal oscillator</td> </tr> <tr> <td>00</td> <td>0 0 clock cycle</td> </tr> <tr> <td>01</td> <td>1 1 clock cycle</td> </tr> <tr> <td>10</td> <td>2 2 clock cycle</td> </tr> <tr> <td>11</td> <td>3 3 clock cycle</td> </tr> </tbody> </table> <p>-EQ[1:0]: Set the Equalizing period</p> <table border="1"> <thead> <tr> <th>EQ[1:0]</th> <th>Amount of non-overlap of the gate output</th> </tr> </thead> <tbody> <tr> <td></td> <td>Refer the Internal oscillator</td> </tr> <tr> <td>00</td> <td>0 No EQ</td> </tr> <tr> <td>01</td> <td>1 3 clock cycle</td> </tr> <tr> <td>10</td> <td>2 5 clock cycle</td> </tr> <tr> <td>11</td> <td>3 7 clock cycle</td> </tr> </tbody> </table> <p>-2nd parameter: Set the output waveform in non-display area. -PTG[1:0]: Determine gate output in a non-display area in the partial mode -PT[1:0]: Determine Source /VCOM output in a non-display area in the partial mode</p> <table border="1"> <thead> <tr> <th>PTG[1:0]</th> <th>Gate output in a non-display area</th> </tr> </thead> <tbody> <tr> <td>00</td> <td>0 Normal scan</td> </tr> <tr> <td>01</td> <td>1 Fix on VGL</td> </tr> <tr> <td>10</td> <td>2 Fix on VGL</td> </tr> <tr> <td>11</td> <td>3 Fix on VGL</td> </tr> </tbody> </table> <table border="1"> <thead> <tr> <th>PT[1:0]</th> <th>Source output on non-display area</th> <th>VCOM output on non-display area</th> </tr> <tr> <td></td> <td>Positive</td> <td>Negative</td> <td>Positive</td> <td>Negative</td> </tr> </thead> <tbody> <tr> <td>00</td> <td>0 V63</td> <td>V0</td> <td>VCOML</td> <td>VCOMH</td> </tr> <tr> <td>01</td> <td>1 V0</td> <td>V63</td> <td>VCOML</td> <td>VCOMH</td> </tr> <tr> <td>10</td> <td>2 AGND</td> <td>AGND</td> <td>AGND</td> <td>AGND</td> </tr> <tr> <td>11</td> <td>3 Hi-z</td> <td>Hi-z</td> <td>AGND</td> <td>AGND</td> </tr> </tbody> </table> <p></p>													NO[1:0]	Amount of non-overlap of the gate output		Refer the Internal oscillator	00	0 1 clock cycle	01	1 2 clock cycle	10	2 4 clock cycle	11	3 6 clock cycle	SDT[1:0]	Amount of non-overlap of the gate output		Refer the Internal oscillator	00	0 0 clock cycle	01	1 1 clock cycle	10	2 2 clock cycle	11	3 3 clock cycle	EQ[1:0]	Amount of non-overlap of the gate output		Refer the Internal oscillator	00	0 No EQ	01	1 3 clock cycle	10	2 5 clock cycle	11	3 7 clock cycle	PTG[1:0]	Gate output in a non-display area	00	0 Normal scan	01	1 Fix on VGL	10	2 Fix on VGL	11	3 Fix on VGL	PT[1:0]	Source output on non-display area	VCOM output on non-display area		Positive	Negative	Positive	Negative	00	0 V63	V0	VCOML	VCOMH	01	1 V0	V63	VCOML	VCOMH	10	2 AGND	AGND	AGND	AGND	11	3 Hi-z	Hi-z	AGND	AGND
	NO[1:0]	Amount of non-overlap of the gate output																																																																																					
		Refer the Internal oscillator																																																																																					
	00	0 1 clock cycle																																																																																					
	01	1 2 clock cycle																																																																																					
	10	2 4 clock cycle																																																																																					
	11	3 6 clock cycle																																																																																					
	SDT[1:0]	Amount of non-overlap of the gate output																																																																																					
		Refer the Internal oscillator																																																																																					
	00	0 0 clock cycle																																																																																					
	01	1 1 clock cycle																																																																																					
	10	2 2 clock cycle																																																																																					
	11	3 3 clock cycle																																																																																					
	EQ[1:0]	Amount of non-overlap of the gate output																																																																																					
		Refer the Internal oscillator																																																																																					
00	0 No EQ																																																																																						
01	1 3 clock cycle																																																																																						
10	2 5 clock cycle																																																																																						
11	3 7 clock cycle																																																																																						
PTG[1:0]	Gate output in a non-display area																																																																																						
00	0 Normal scan																																																																																						
01	1 Fix on VGL																																																																																						
10	2 Fix on VGL																																																																																						
11	3 Fix on VGL																																																																																						
PT[1:0]	Source output on non-display area	VCOM output on non-display area																																																																																					
	Positive	Negative	Positive	Negative																																																																																			
00	0 V63	V0	VCOML	VCOMH																																																																																			
01	1 V0	V63	VCOML	VCOMH																																																																																			
10	2 AGND	AGND	AGND	AGND																																																																																			
11	3 Hi-z	Hi-z	AGND	AGND																																																																																			

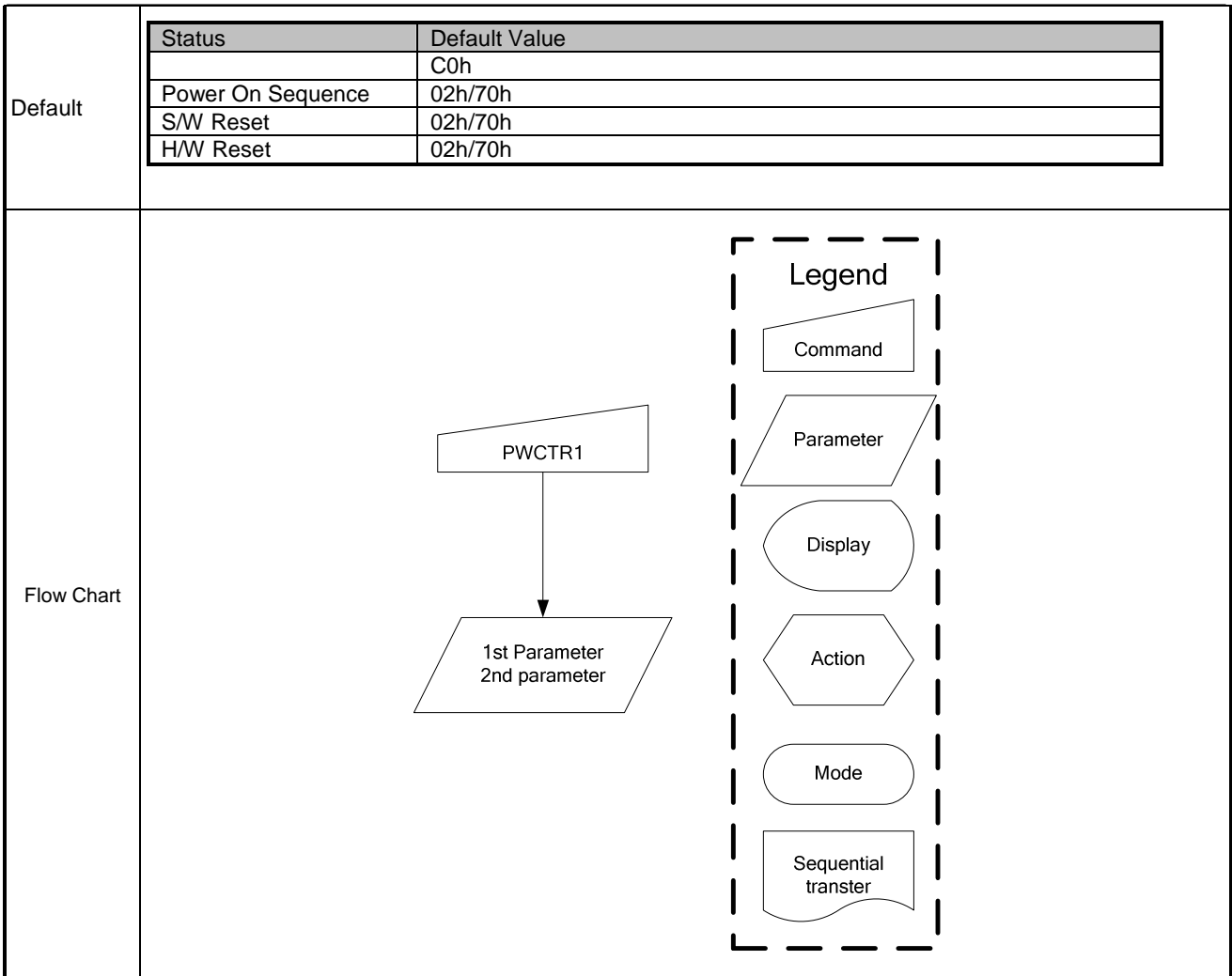
ST7715

Default	Status	Default Value
		B6h
	Power On Sequence	15h/00h
	S/W Reset	15h/00h
	H/W Reset	15h/00h
Flow Chart		

10.2.6 PWCTR1 (C0h): Power Control 1

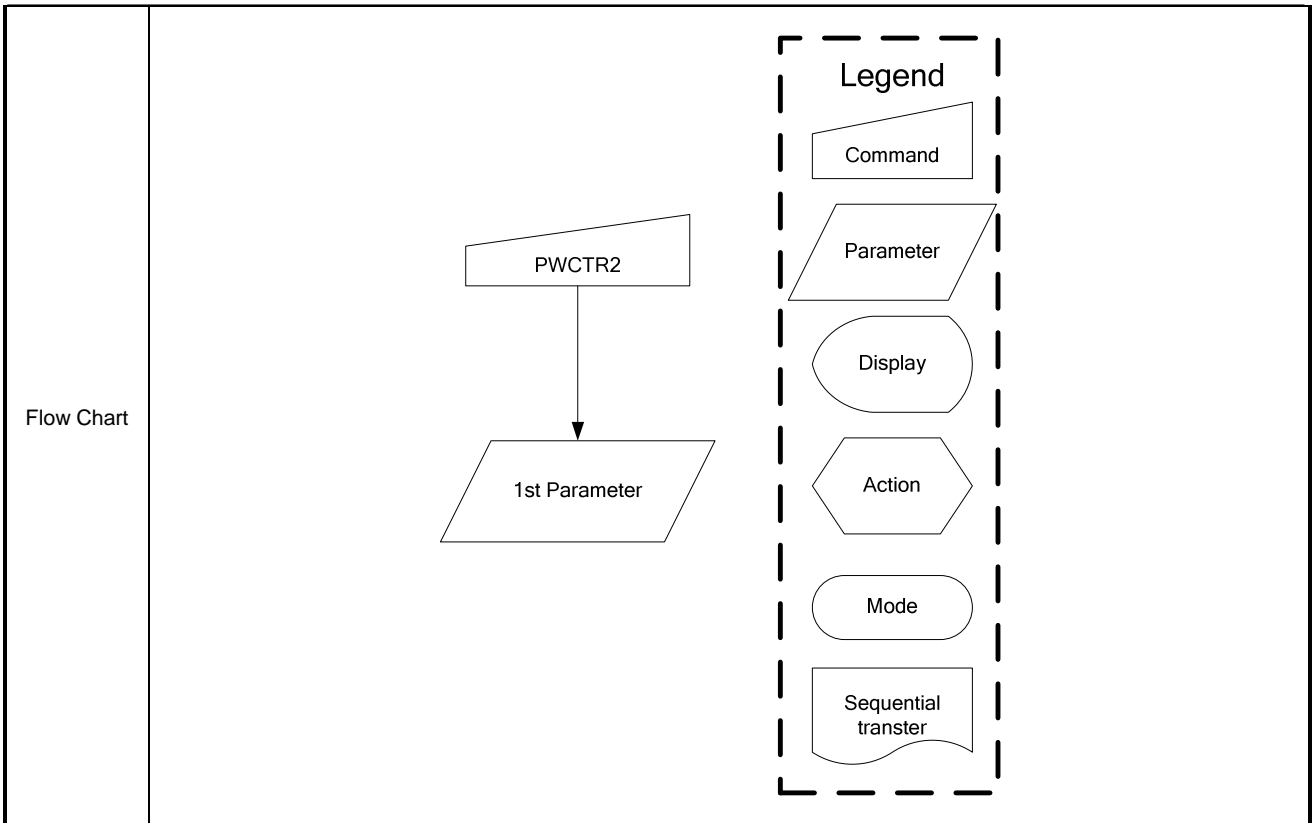
C0H	PWCTR1 (Power Control 1)												
Inst / Para	D/CX	WRX	RDX	D17-8	D7	D6	D5	D4	D3	D2	D1	D0	HEX
PWCTR1	0	↑	1	-	1	1	0	0	0	0	0	0	(C0h)
1 st paramete	1	↑	1	-	0	0	0	VRH4	VRH3	VRH2	VRH1	VRH0	
2 nd parameter	1	↑	1	-	0	1	IB_SEL1	IB_SEL0	-	0	0	0	
Description	- Set the GVDD voltage												
	VRH[4:0]		GVDD										
	00000	0	5.00										
	00001	1	4.75										
	00010	2	4.70										
	00011	3	4.65										
	00100	4	4.60										
	00101	5	4.55										
	00110	6	4.50										
	00111	7	4.45										
	01000	8	4.40										
	01001	9	4.35										
	01010	10	4.30										
	01011	11	4.25										
	01100	12	4.20										
	01101	13	4.15										
	01110	14	4.10										
	01111	15	4.05										
	10000	16	4.00										
	10001	17	3.95										
	10010	18	3.90										
	10011	19	3.85										
	10100	20	3.80										
	10101	21	3.75										
	10110	22	3.70										
	10111	23	3.65										
	11000	24	3.60										
	11001	25	3.55										
	11010	26	3.50										
	11011	27	3.45										
	11100	28	3.40										
	11101	29	3.35										
11110	30	3.25											
11111	31	3.00											
Restriction	-If this register not using the register need be reserved.												
	-The deviation value of GVDD between with Measurement and Specification : Max <= 50mV												
Register Availability	Status												Availability
	Normal Mode On, Idle Mode Off, Sleep Out												Yes
	Normal Mode On, Idle Mode On, Sleep Out												Yes
	Partial Mode On, Idle Mode Off, Sleep Out												Yes
	Partial Mode On, Idle Mode On, Sleep Out												Yes
	Sleep In												Yes

ST7715



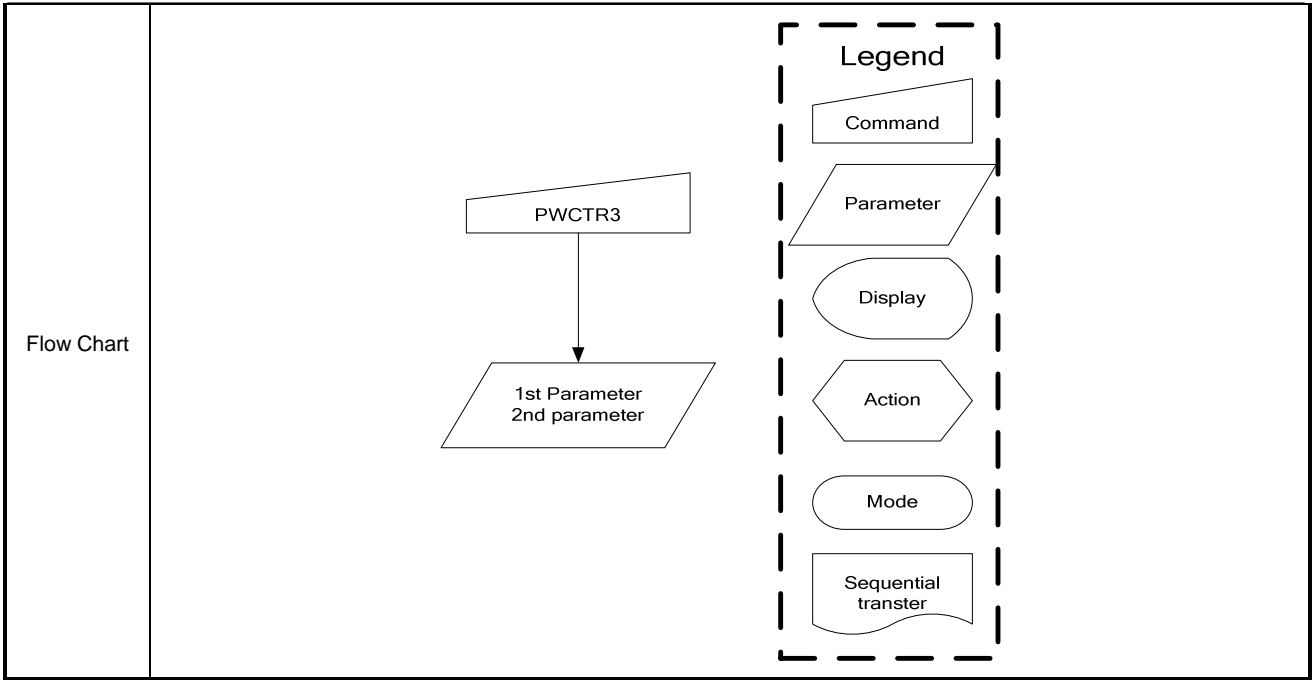
10.2.7 PWCTR2 (C1h): Power Control 2

C1H	PWCTR2 (Power Control 2)																							
Inst / Para	D/CX	WRX	RDX	D17-8	D7	D6	D5	D4	D3	D2	D1	D0	HEX											
PWCTR2	0	↑	1	-	1	1	0	0	0	0	0	1	(C1h)											
1 st parameter	1	↑	1		0	0	0	0	0	BT2	BT1	BT0												
Description	-Set the VGH and VGL supply power level																							
	BT[2:0]		VGH		VGL																			
	000	4X	9.8	-3X	-7.35																			
	001	4X	9.8	-4X	-9.8																			
	010	5X	12.25	-3X	-7.35																			
	011	5X	12.25	-4X	-9.8																			
	100	5X	12.25	-5X	-12.25																			
	101	6X	14.7	-3X	-7.35																			
	110	6X	14.7	-4X	-9.8																			
111	6X	14.7	-5X	-12.25																				
Restriction	-If this register not using the register need be reserved. -The deviation value of VGH/ VGL between with Measurement and Specification: Maxmum <= 1V -VGH-VGL <= 32V																							
Register Availability	<table border="1"> <thead> <tr> <th>Status</th> <th>Availability</th> </tr> </thead> <tbody> <tr> <td>Normal Mode On, Idle Mode Off, Sleep Out</td> <td>Yes</td> </tr> <tr> <td>Normal Mode On, Idle Mode On, Sleep Out</td> <td>Yes</td> </tr> <tr> <td>Partial Mode On, Idle Mode Off, Sleep Out</td> <td>Yes</td> </tr> <tr> <td>Partial Mode On, Idle Mode On, Sleep Out</td> <td>Yes</td> </tr> <tr> <td>Sleep In</td> <td>Yes</td> </tr> </tbody> </table>												Status	Availability	Normal Mode On, Idle Mode Off, Sleep Out	Yes	Normal Mode On, Idle Mode On, Sleep Out	Yes	Partial Mode On, Idle Mode Off, Sleep Out	Yes	Partial Mode On, Idle Mode On, Sleep Out	Yes	Sleep In	Yes
	Status	Availability																						
	Normal Mode On, Idle Mode Off, Sleep Out	Yes																						
	Normal Mode On, Idle Mode On, Sleep Out	Yes																						
	Partial Mode On, Idle Mode Off, Sleep Out	Yes																						
	Partial Mode On, Idle Mode On, Sleep Out	Yes																						
Sleep In	Yes																							
Default	<table border="1"> <thead> <tr> <th>Status</th> <th>Default Value</th> </tr> </thead> <tbody> <tr> <td></td> <td>C1h</td> </tr> <tr> <td>Power On Sequence</td> <td>05h</td> </tr> <tr> <td>S/W Reset</td> <td>05h</td> </tr> <tr> <td>H/W Reset</td> <td>05h</td> </tr> </tbody> </table>												Status	Default Value		C1h	Power On Sequence	05h	S/W Reset	05h	H/W Reset	05h		
	Status	Default Value																						
		C1h																						
	Power On Sequence	05h																						
	S/W Reset	05h																						
H/W Reset	05h																							



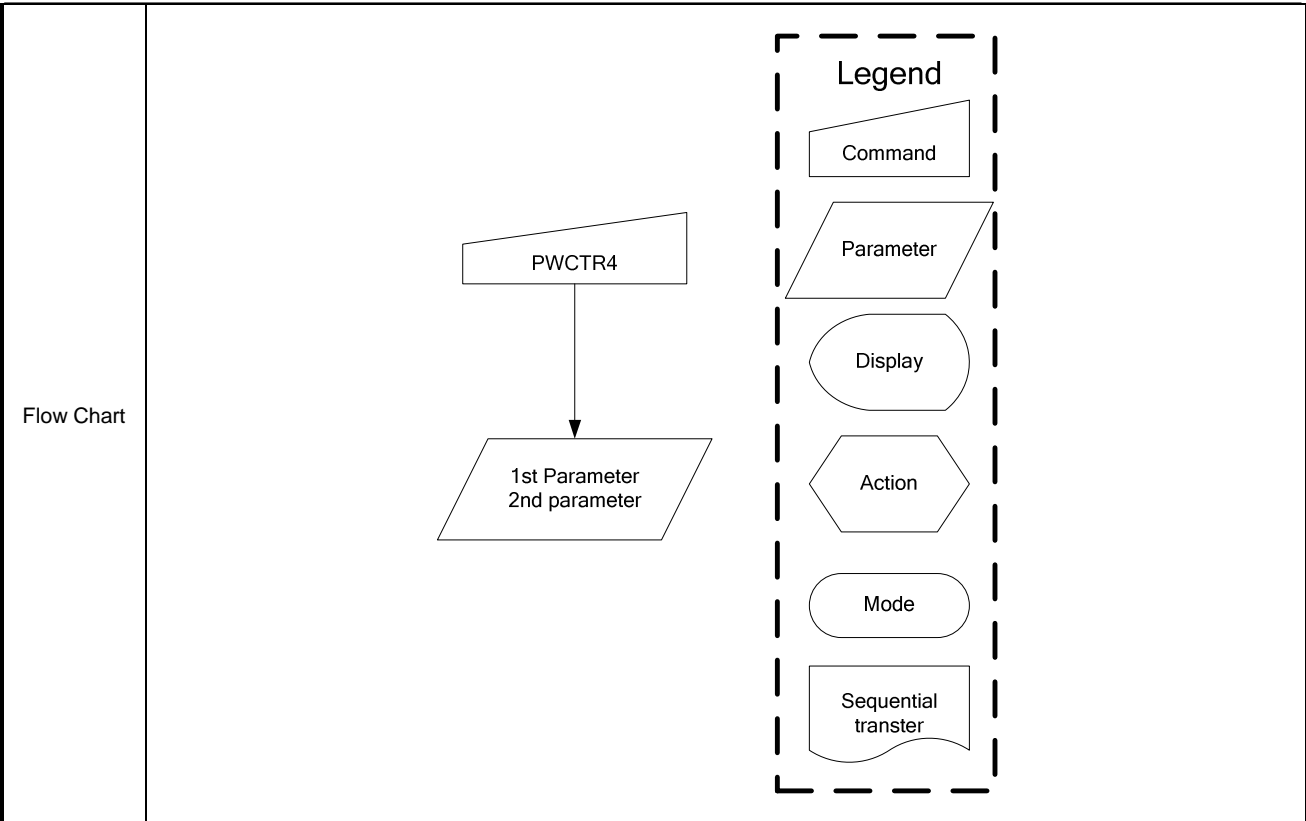
10.2.8 PWCTR3 (C2h): Power Control 3 (in Normal mode/ Full colors)

C2H	PWCTR3 (Power Control 3)																																															
Inst / Para	D/CX	WRX	RDX	D17-8	D7	D6	D5	D4	D3	D2	D1	D0	HEX																																			
PWCTR3	0	↑	1	-	1	1	0	0	0	0	1	0	(C2h)																																			
1 st parameter	1	↑	1	-	0	0	0	0	0	APA2	APA1	APA0																																				
2 nd parameter	1	↑	1	-	0	0	0	0	0	DCA2	DCA1	DCA0																																				
Description	-Set the amount of current in Operational amplifier in normal mode/full colors. -Adjust the amount of fixed current from the fixed current source in the operational amplifier for the source driver.																																															
	<table border="1"> <thead> <tr> <th>AP[2:0]</th> <th colspan="2">Amount of Current in Operational Amplifier</th> </tr> </thead> <tbody> <tr> <td>000</td> <td>0</td> <td>Operation of the operational amplifier stops</td> </tr> <tr> <td>001</td> <td>1</td> <td>Small</td> </tr> <tr> <td>010</td> <td>2</td> <td>Medium Low</td> </tr> <tr> <td>011</td> <td>3</td> <td>Medium</td> </tr> <tr> <td>100</td> <td>4</td> <td>Medium High</td> </tr> <tr> <td>101</td> <td>5</td> <td>Large</td> </tr> <tr> <td>110</td> <td>6</td> <td>Reserved</td> </tr> <tr> <td>111</td> <td>7</td> <td>Reserved</td> </tr> </tbody> </table>													AP[2:0]	Amount of Current in Operational Amplifier		000	0	Operation of the operational amplifier stops	001	1	Small	010	2	Medium Low	011	3	Medium	100	4	Medium High	101	5	Large	110	6	Reserved	111	7	Reserved								
AP[2:0]	Amount of Current in Operational Amplifier																																															
000	0	Operation of the operational amplifier stops																																														
001	1	Small																																														
010	2	Medium Low																																														
011	3	Medium																																														
100	4	Medium High																																														
101	5	Large																																														
110	6	Reserved																																														
111	7	Reserved																																														
Description	-Set the Booster circuit Step-up cycle in Normal mode/ full colors.																																															
	<table border="1"> <thead> <tr> <th>DC[2:0]</th> <th colspan="2">Step-up cycle in Booster circuit 1</th> <th>Step-up cycle in Booster circuit 2,4</th> </tr> </thead> <tbody> <tr> <td>000</td> <td>0</td> <td>BCLK / 1</td> <td>BCLK / 1</td> </tr> <tr> <td>001</td> <td>1</td> <td>BCLK / 1</td> <td>BCLK / 2</td> </tr> <tr> <td>010</td> <td>2</td> <td>BCLK / 1</td> <td>BCLK / 4</td> </tr> <tr> <td>011</td> <td>3</td> <td>BCLK / 2</td> <td>BCLK / 2</td> </tr> <tr> <td>100</td> <td>4</td> <td>BCLK / 2</td> <td>BCLK / 4</td> </tr> <tr> <td>101</td> <td>5</td> <td>BCLK / 4</td> <td>BCLK / 4</td> </tr> <tr> <td>110</td> <td>6</td> <td>BCLK / 4</td> <td>BCLK / 8</td> </tr> <tr> <td>111</td> <td>7</td> <td>BCLK / 4</td> <td>BCLK / 16</td> </tr> </tbody> </table> Note: BCLK is Clock frequency for Booster circuit													DC[2:0]	Step-up cycle in Booster circuit 1		Step-up cycle in Booster circuit 2,4	000	0	BCLK / 1	BCLK / 1	001	1	BCLK / 1	BCLK / 2	010	2	BCLK / 1	BCLK / 4	011	3	BCLK / 2	BCLK / 2	100	4	BCLK / 2	BCLK / 4	101	5	BCLK / 4	BCLK / 4	110	6	BCLK / 4	BCLK / 8	111	7	BCLK / 4
DC[2:0]	Step-up cycle in Booster circuit 1		Step-up cycle in Booster circuit 2,4																																													
000	0	BCLK / 1	BCLK / 1																																													
001	1	BCLK / 1	BCLK / 2																																													
010	2	BCLK / 1	BCLK / 4																																													
011	3	BCLK / 2	BCLK / 2																																													
100	4	BCLK / 2	BCLK / 4																																													
101	5	BCLK / 4	BCLK / 4																																													
110	6	BCLK / 4	BCLK / 8																																													
111	7	BCLK / 4	BCLK / 16																																													
Restriction	-If this register not using the register need be reserved.																																															
Register Availability	<table border="1"> <thead> <tr> <th>Status</th> <th>Availability</th> </tr> </thead> <tbody> <tr> <td>Normal Mode On, Idle Mode Off, Sleep Out</td> <td>Yes</td> </tr> <tr> <td>Normal Mode On, Idle Mode On, Sleep Out</td> <td>Yes</td> </tr> <tr> <td>Partial Mode On, Idle Mode Off, Sleep Out</td> <td>Yes</td> </tr> <tr> <td>Partial Mode On, Idle Mode On, Sleep Out</td> <td>Yes</td> </tr> <tr> <td>Sleep In</td> <td>Yes</td> </tr> </tbody> </table>													Status	Availability	Normal Mode On, Idle Mode Off, Sleep Out	Yes	Normal Mode On, Idle Mode On, Sleep Out	Yes	Partial Mode On, Idle Mode Off, Sleep Out	Yes	Partial Mode On, Idle Mode On, Sleep Out	Yes	Sleep In	Yes																							
Status	Availability																																															
Normal Mode On, Idle Mode Off, Sleep Out	Yes																																															
Normal Mode On, Idle Mode On, Sleep Out	Yes																																															
Partial Mode On, Idle Mode Off, Sleep Out	Yes																																															
Partial Mode On, Idle Mode On, Sleep Out	Yes																																															
Sleep In	Yes																																															
Default	<table border="1"> <thead> <tr> <th>Status</th> <th>Default Value</th> </tr> </thead> <tbody> <tr> <td></td> <td>C2h</td> </tr> <tr> <td>Power On Sequence</td> <td>01h/01h</td> </tr> <tr> <td>S/W Reset</td> <td>01h/01h</td> </tr> <tr> <td>H/W Reset</td> <td>01h/01h</td> </tr> </tbody> </table>													Status	Default Value		C2h	Power On Sequence	01h/01h	S/W Reset	01h/01h	H/W Reset	01h/01h																									
Status	Default Value																																															
	C2h																																															
Power On Sequence	01h/01h																																															
S/W Reset	01h/01h																																															
H/W Reset	01h/01h																																															



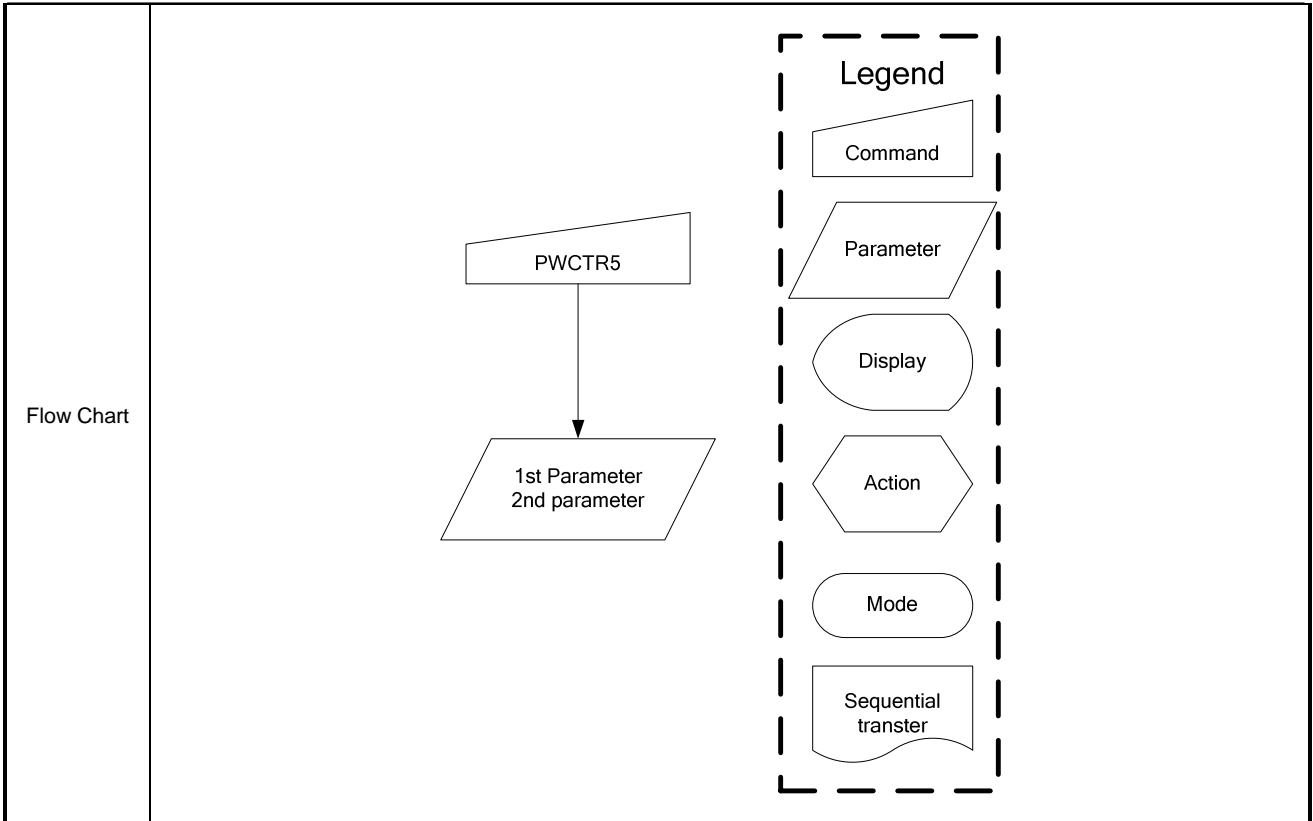
10.2.9 PWCTR4 (C3h): Power Control 4 (in Idle mode/ 8-colors)

C3H	PWCTR4 (Power Control 4)												
Inst / Para	D/CX	WRX	RDX	D17-8	D7	D6	D5	D4	D3	D2	D1	D0	HEX
PWCTR4	0	↑	1	-	1	1	0	0	0	0	1	1	(C3h)
1 st parameter	1	↑	1	-	0	0	0	0	0	APB2	APB1	APB0	
2 nd parameter	1	↑	1	-	0	0	0	0	0	DCB2	DCB1	DCB0	
Description	-Set the amount of current in Operational amplifier in Idle mode/8 colors. -Adjust the amount of fixed current from the fixed current source in the operational amplifier for the source driver.												
	AP[2:0]		Amount of Current in Operational Amplifier										
	000	0	Operation of the operational amplifier stops										
	001	1	Small										
	010	2	Medium Low										
	011	3	Medium										
	100	4	Medium High										
	101	5	Large										
	110	6	Reserved										
	111	7	Reserved										
	-Set the Booster circuit Step-up cycle in Idle mode/8 colors.												
	DC[2:0]		Step-up cycle in Booster circuit 1					Step-up cycle in Booster circuit 2,4					
	000	0	BCLK / 1					BCLK / 1					
	001	1	BCLK / 1					BCLK / 2					
	010	2	BCLK / 1					BCLK / 4					
011	3	BCLK / 2					BCLK / 2						
100	4	BCLK / 2					BCLK / 4						
101	5	BCLK / 4					BCLK / 4						
110	6	BCLK / 4					BCLK / 8						
111	7	BCLK / 4					BCLK / 16						
Note: BCLK is Clock frequency for Booster circuit													
Restriction	-If this register not using the register need be reserved.												
Register Availability	Status											Availability	
	Normal Mode On, Idle Mode Off, Sleep Out											Yes	
	Normal Mode On, Idle Mode On, Sleep Out											Yes	
	Partial Mode On, Idle Mode Off, Sleep Out											Yes	
	Partial Mode On, Idle Mode On, Sleep Out											Yes	
	Sleep In											Yes	
Default	Status											Default Value	
												C3h	
	Power On Sequence											02h/07h	
	S/W Reset											02h/07h	
	H/W Reset											02h/07h	



10.2.10 PWCTR5 (C4h): Power Control 5 (in Partial mode/ full-colors)

C4H	PWCTR5 (Power Control 5)												
Inst / Para	D/CX	WRX	RDX	D17-8	D7	D6	D5	D4	D3	D2	D1	D0	HEX
PWCTR5	0	↑	1	-	1	1	0	0	0	1	0	0	(C4h)
1 st parameter	1	↑	1	-	0	0	0	0	0	APC2	APC1	APC0	
2 nd parameter	1	↑	1	-	0	0	0	0	0	DCC2	DCC1	DCC0	
Description	-Set the amount of current in Operational amplifier in Partial mode/ full-colors. -Adjust the amount of fixed current from the fixed current source in the operational amplifier for the source driver.												
	AP[2:0]		Amount of Current in Operational Amplifier										
	000	0	Operation of the operational amplifier stops										
	001	1	Small										
	010	2	Medium Low										
	011	3	Medium										
	100	4	Medium High										
	101	5	Large										
	110	6	Reserved										
	111	7	Reserved										
Description	-Set the Booster circuit Step-up cycle in Partial mode/ full-colors.												
	DC[2:0]		Step-up cycle in Booster circuit 1					Step-up cycle in Booster circuit 2,4					
	000	0	BCLK / 1					BCLK / 1					
	001	1	BCLK / 1					BCLK / 2					
	010	2	BCLK / 1					BCLK / 4					
	011	3	BCLK / 2					BCLK / 2					
	100	4	BCLK / 2					BCLK / 4					
	101	5	BCLK / 4					BCLK / 4					
	110	6	BCLK / 4					BCLK / 8					
	111	7	BCLK / 4					BCLK / 16					
Note: BCLK is Clock frequency for Booster circuit													
Restriction	-If this register not using the register need be reserved.												
Register Availability	Status											Availability	
	Normal Mode On, Idle Mode Off, Sleep Out											Yes	
	Normal Mode On, Idle Mode On, Sleep Out											Yes	
	Partial Mode On, Idle Mode Off, Sleep Out											Yes	
	Partial Mode On, Idle Mode On, Sleep Out											Yes	
	Sleep In											Yes	
Default	Status											Default Value	
												C4h	
	Power On Sequence											02h/04h	
	S/W Reset											02h/04h	
	H/W Reset											02h/04h	

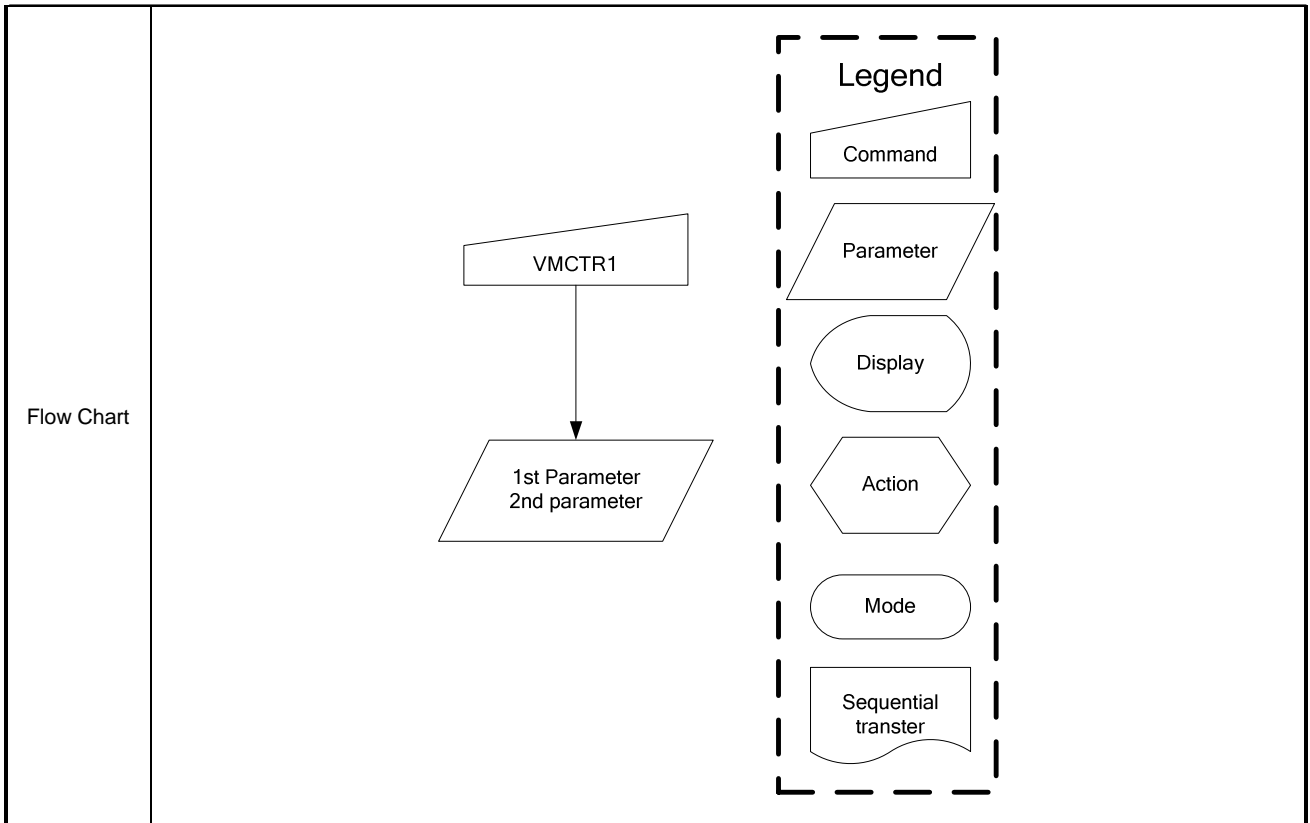


10.2.11 VMCTR1 (C5h): VCOM Control 1

C5H		VMCTR1 (VCOM Control 1)											
Inst / Para	D/CX	WRX	RDX	D17-8	D7	D6	D5	D4	D3	D2	D1	D0	HEX
VMCTR1	0	↑	1	-	1	1	0	0	0	1	0	1	(C5h)
1 st parameter	1	↑	1	-	-	VMH6	VMH5	VMH 4	VMH 3	VMH 2	VMH 1	VMH 0	
2 nd parameter	1	↑	1	-	-	VML6	VML5	VML4	VML3	VML2	VML1	VML0	
Description	-Set VCOMH Voltage												
	VMH[6:0]	VCOMH	VMH[6:0]	VCOMH	VMH[6:0]	VCOMH	VMH[6:0]	VCOMH	VMH[6:0]	VCOMH	VMH[6:0]	VCOMH	
	0000000	0	2.500	0011011	27	3.175	0110110	54	3.850	1010001	81	4.525	
	0000001	1	2.525	0011100	28	3.200	0110111	55	3.875	1010010	82	4.550	
	0000010	2	2.550	0011101	29	3.225	0111000	56	3.900	1010011	83	4.575	
	0000011	3	2.575	0011110	30	3.250	0111001	57	3.925	1010100	84	4.600	
	0000100	4	2.600	0011111	31	3.275	0111010	58	3.950	1010101	85	4.625	
	0000101	5	2.625	0100000	32	3.300	0111011	59	3.975	1010110	86	4.650	
	0000110	6	2.650	0100001	33	3.325	0111100	60	4.000	1010111	87	4.675	
	0000111	7	2.675	0100010	34	3.350	0111101	61	4.025	1011000	88	4.700	
	0001000	8	2.700	0100011	35	3.375	0111110	62	4.050	1011001	89	4.725	
	0001001	9	2.725	0100100	36	3.400	0111111	63	4.075	1011010	90	4.750	
	0001010	10	2.750	0100101	37	3.425	1000000	64	4.100	1011011	91	4.775	
	0001011	11	2.775	0100110	38	3.450	1000001	65	4.125	1011100	92	4.800	
	0001100	12	2.800	0100111	39	3.475	1000010	66	4.150	1011101	93	4.825	
	0001101	13	2.825	0101000	40	3.500	1000011	67	4.175	1011110	94	4.850	
	0001110	14	2.850	0101001	41	3.525	1000100	68	4.200	1011111	95	4.875	
	0001111	15	2.875	0101010	42	3.550	1000101	69	4.225	1100000	96	4.900	
	0010000	16	2.900	0101011	43	3.575	1000110	70	4.250	1100001	97	4.925	
	0010001	17	2.925	0101100	44	3.600	1000111	71	4.275	1100010	98	4.950	
	0010010	18	2.950	0101101	45	3.625	1001000	72	4.300	1100011	99	4.975	
	0010011	19	2.975	0101110	46	3.650	1001001	73	4.325	1100100	100	5.000	
	0010100	20	3.000	0101111	47	3.675	1001010	74	4.350	1100101	101	Not Permitted	
	0010101	21	3.025	0110000	48	3.700	1001011	75	4.375				
	0010110	22	3.050	0110001	49	3.725	1001100	76	4.400	1111111	127		
	0010111	23	3.075	0110010	50	3.750	1001101	77	4.425				
	0011000	24	3.100	0110011	51	3.775	1001110	78	4.450				
	0011001	25	3.125	0110100	52	3.800	1001111	79	4.475				
	0011010	26	3.150	0110101	53	3.825	1010000	80	4.500				

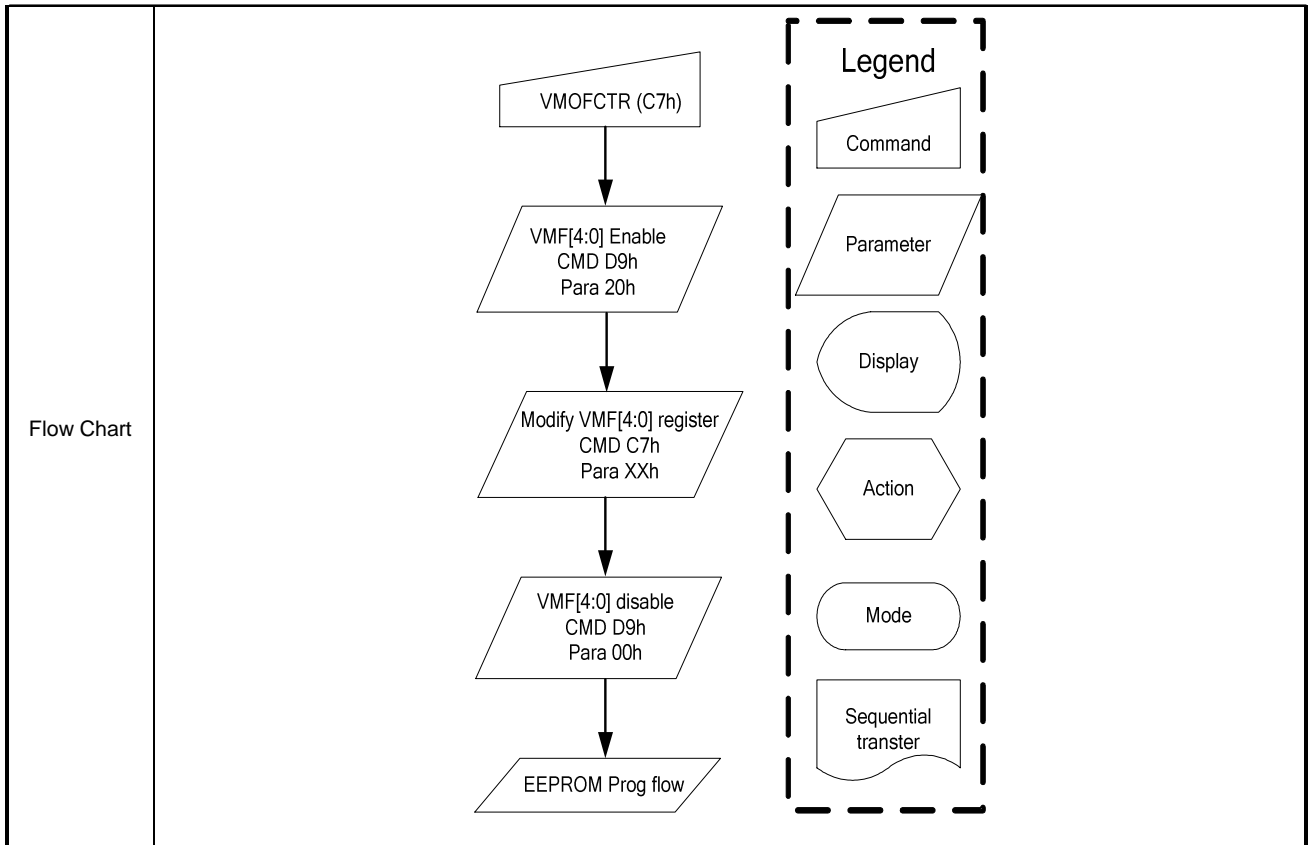
ST7715

-Set VCOML Voltage																							
VML[6:0]		VCOML	VML[6:0]		VCOML	VML[6:0]		VCOML	VML[6:0]		VCOML												
0000000	0	Not Permitted	0011011	27	-1.825	0110110	54	-1.150	1010001	81	-0.475												
0000001	1		0011100	28	-1.800	0110111	55	-1.125	1010010	82	-0.450												
0000010	2		0011101	29	-1.775	0111000	56	-1.100	1010011	83	-0.425												
0000011	3		0011110	30	-1.750	0111001	57	-1.075	1010100	84	-0.400												
0000100	4	-2.400	0011111	31	-1.725	0111010	58	-1.050	1010101	85	-0.375												
0000101	5	-2.375	0100000	32	-1.700	0111011	59	-1.025	1010110	86	-0.350												
0000110	6	-2.350	0100001	33	-1.675	0111100	60	-1.000	1010111	87	-0.325												
0000111	7	-2.325	0100010	34	-1.650	0111101	61	-0.975	1011000	88	-0.300												
0001000	8	-2.300	0100011	35	-1.625	0111110	62	-0.950	1011001	89	-0.275												
0001001	9	-2.275	0100100	36	-1.600	0111111	63	-0.925	1011010	90	-0.250												
0001010	10	-2.250	0100101	37	-1.575	1000000	64	-0.900	1011011	91	-0.225												
0001011	11	-2.225	0100110	38	-1.550	1000001	65	-0.875	1011100	92	-0.200												
0001100	12	-2.200	0100111	39	-1.525	1000010	66	-0.850	1011101	93	-0.175												
0001101	13	-2.175	0101000	40	-1.500	1000011	67	-0.825	1011110	94	-0.150												
0001110	14	-2.150	0101001	41	-1.475	1000100	68	-0.800	1011111	95	-0.125												
0001111	15	-2.125	0101010	42	-1.450	1000101	69	-0.775	1100000	96	-0.100												
0010000	16	-2.100	0101011	43	-1.425	1000110	70	-0.750	1100001	97	-0.075												
0010001	17	-2.075	0101100	44	-1.400	1000111	71	-0.725	1100010	98	-0.050												
0010010	18	-2.050	0101101	45	-1.375	1001000	72	-0.700	1100011	99	-0.025												
0010011	19	-2.025	0101110	46	-1.350	1001001	73	-0.675	1100100	100	0.000												
0010100	20	-2.000	0101111	47	-1.325	1001010	74	-0.650	1100101	101	Not Permitted												
0010101	21	-1.975	0110000	48	-1.300	1001011	75	-0.625															
0010110	22	-1.950	0110001	49	-1.275	1001100	76	-0.600	1111111	127													
0010111	23	-1.925	0110010	50	-1.250	1001101	77	-0.575															
0011000	24	-1.900	0110011	51	-1.225	1001110	78	-0.550															
0011001	25	-1.875	0110100	52	-1.200	1001111	79	-0.525															
0011010	26	-1.850	0110101	53	-1.175	1010000	80	-0.500															
Restriction	-If this register not using the register need be reserved. -The VcomAC = VCOMH – VCOML																						
Register Availability	<table border="1"> <thead> <tr> <th>Status</th> <th>Availability</th> </tr> </thead> <tbody> <tr> <td>Normal Mode On, Idle Mode Off, Sleep Out</td> <td>Yes</td> </tr> <tr> <td>Normal Mode On, Idle Mode On, Sleep Out</td> <td>Yes</td> </tr> <tr> <td>Partial Mode On, Idle Mode Off, Sleep Out</td> <td>Yes</td> </tr> <tr> <td>Partial Mode On, Idle Mode On, Sleep Out</td> <td>Yes</td> </tr> <tr> <td>Sleep In</td> <td>Yes</td> </tr> </tbody> </table>											Status	Availability	Normal Mode On, Idle Mode Off, Sleep Out	Yes	Normal Mode On, Idle Mode On, Sleep Out	Yes	Partial Mode On, Idle Mode Off, Sleep Out	Yes	Partial Mode On, Idle Mode On, Sleep Out	Yes	Sleep In	Yes
Status	Availability																						
Normal Mode On, Idle Mode Off, Sleep Out	Yes																						
Normal Mode On, Idle Mode On, Sleep Out	Yes																						
Partial Mode On, Idle Mode Off, Sleep Out	Yes																						
Partial Mode On, Idle Mode On, Sleep Out	Yes																						
Sleep In	Yes																						
Default	<table border="1"> <thead> <tr> <th>Status</th> <th>Default Value</th> </tr> </thead> <tbody> <tr> <td></td> <td>C5h</td> </tr> <tr> <td>Power On Sequence</td> <td>51h/4Dh</td> </tr> <tr> <td>S/W Reset</td> <td>51h/4Dh</td> </tr> <tr> <td>H/W Reset</td> <td>51h/4Dh</td> </tr> </tbody> </table>											Status	Default Value		C5h	Power On Sequence	51h/4Dh	S/W Reset	51h/4Dh	H/W Reset	51h/4Dh		
Status	Default Value																						
	C5h																						
Power On Sequence	51h/4Dh																						
S/W Reset	51h/4Dh																						
H/W Reset	51h/4Dh																						



10.2.12 VMOFCTR (C7h): VCOM Offset Control

C7H	VMOFCTR (VCOM Offset Control)																							
Inst / Para	D/CX	WRX	RDX	D17-8	D7	D6	D5	D4	D3	D2	D1	D0	HEX											
VMOFCTR	0	↑	1	-	1	1	0	0	0	1	1	1	(C7h)											
Parameter	1	↑	1	-	-	-	-	VMF4	VMF3	VMF2	VMF1	VMF0												
Description	-Set VCOM Voltage level for reduce the flicker issue																							
	VMF		VMF[4:0]		VCOMH,VCOML Output Level																			
	0		00000		"VMH" -16d,"VML"-16d																			
	1		00001		"VMH"-15d, "VML"-15d																			
	2		00010		"VMH"-14d, "VML"-14d																			
	14		01110		"VMH"-2d, "VML"-2d																			
	15		01111		"VMH"-1d, "VML"-1d																			
	16		10000		"VMH", "VML"																			
	17		10001		"VMH"+1d, "VML"+1d																			
	18		10010		"VMH"+2d, "VML"+2d																			
	30		11110		"VMH"+14d, "VML"+14d																			
	31		11111		"VMH"+15d, "VML"+15d																			
	- 1d=25mV, 2d=50mV 3d=75mv....																							
- 2.5V <= VMH ± nd <= 5.0V; -2. 5V <= VML ± nd<= 0V (n=0-15,16)																								
Restriction	-If this register not using the register need be reserved.																							
Register Availability	<table border="1"> <thead> <tr> <th>Status</th> <th>Availability</th> </tr> </thead> <tbody> <tr> <td>Normal Mode On, Idle Mode Off, Sleep Out</td> <td>Yes</td> </tr> <tr> <td>Normal Mode On, Idle Mode On, Sleep Out</td> <td>Yes</td> </tr> <tr> <td>Partial Mode On, Idle Mode Off, Sleep Out</td> <td>Yes</td> </tr> <tr> <td>Partial Mode On, Idle Mode On, Sleep Out</td> <td>Yes</td> </tr> <tr> <td>Sleep In</td> <td>Yes</td> </tr> </tbody> </table>												Status	Availability	Normal Mode On, Idle Mode Off, Sleep Out	Yes	Normal Mode On, Idle Mode On, Sleep Out	Yes	Partial Mode On, Idle Mode Off, Sleep Out	Yes	Partial Mode On, Idle Mode On, Sleep Out	Yes	Sleep In	Yes
	Status	Availability																						
	Normal Mode On, Idle Mode Off, Sleep Out	Yes																						
	Normal Mode On, Idle Mode On, Sleep Out	Yes																						
	Partial Mode On, Idle Mode Off, Sleep Out	Yes																						
	Partial Mode On, Idle Mode On, Sleep Out	Yes																						
Sleep In	Yes																							
Default	<table border="1"> <thead> <tr> <th>Status</th> <th>Default Value</th> </tr> </thead> <tbody> <tr> <td></td> <td>C7h</td> </tr> <tr> <td>Power On Sequence</td> <td>F0h</td> </tr> <tr> <td>S/W Reset</td> <td>F0h</td> </tr> <tr> <td>H/W Reset</td> <td>F0h</td> </tr> </tbody> </table>												Status	Default Value		C7h	Power On Sequence	F0h	S/W Reset	F0h	H/W Reset	F0h		
	Status	Default Value																						
		C7h																						
	Power On Sequence	F0h																						
	S/W Reset	F0h																						
H/W Reset	F0h																							



10.2.13 WRID2 (D1h): Write ID2 Value

D1H	WRID2 (Write ID2 Value)												
Inst / Para	D/CX	WRX	RDX	D17	D7	D6	D5	D4	D3	D2	D1	D0	HEX
WRID2	0	↑	1	-	1	1	0	1	0	0	0	1	(D1h)
Parameter	1	↑	1	-	-	ID26	ID25	ID24	ID23	ID22	ID21	ID20	-
Description	-Write 7-bit data of LCD module version to save it to EEPROM. -The parameter ID2[6:0] is LCD Module version ID.												
Flow Chart	<pre> graph TD A[NVCTR3 (D1h)] --> B[/ID2[6:0] Enable CMD D9h Para 10h/] B --> C[/Modify ID2[6:0] register CMD D1h Para XXh/] C --> D[/ID2[6:0] disable CMD D9h Para 00h/] D --> E[/EEPROM Prog flow/] </pre>												

10.2.14 WRID3 (D2h): Write ID3 Value

D2H	WRID3 (Write ID3 Value)												
Inst / Para	D/CX	WRX	RDX	D17-8	D7	D6	D5	D4	D3	D2	D1	D0	HEX
WRID3	0	↑	1	-	1	1	0	1	0	0	1	0	(D2h)
Parameter	1	↑	1	-	ID37	ID36	ID35	ID34	ID33	ID32	ID31	ID30	-
Description	-Write 8-bit data of project code module to save it to EEPROM. -The parameter ID3[7:0] is product project ID.												
Flow Chart	<p>The flow chart shows a trapezoidal symbol labeled 'WRID3 (D2h)' with an arrow pointing down to a parallelogram symbol labeled '1st Parameter'. To the right is a legend box containing six symbols: a trapezoid for 'Command', a parallelogram for 'Parameter', an oval for 'Display', a hexagon for 'Action', a rounded rectangle for 'Mode', and a wavy rectangle for 'Sequential transfer'.</p>												

10.2.15 PWCTR6 (FCh): Power Control 5 (in Idle mode + Partial mode)

FCH	PWCTR6 (Gamma control adjust)												
Inst / Para	D/CX	WRX	RDX	D17-8	D7	D6	D5	D4	D3	D2	D1	D0	HEX
PWCTR6	0	↑	1	-	1	1	1	1	1	1	0	0	(FCh)
1 st parameter	1	↑	1	-	-	Sapa2	Sapa1	Sapa0	-	Sapb2	Sapb1	Sapb0	
2 nd parameter	1	↑	1	-	-	Sapc2	Sapc1	Sapc0	-	DCD2	DCD1	DCD0	
Description	-Set the amount of current in Operational amplifier in Idle mode + Partial mode.												
Default	Status		Default Value										
			FCh										
	Power On Sequence		11h/15h										
	S/W Reset		11h/15h										
	H/W Reset		11h/15h										
Flow Chart	<pre> graph TD PWCTR6[/PWCTR6/] --> Params[/1st Parameter 2nd parameter/] </pre> <p>Legend</p> <ul style="list-style-type: none"> Command Parameter Display Action Mode Sequential transfer 												

10.2.16 NVFCTR1 (D9h): EEPROM Control Status

D9H	NVFCTR1 (NV Memory Function Controller 1)												
Inst / Para	D/CX	WRX	RDX	D17-8	D7	D6	D5	D4	D3	D2	D1	D0	HEX
NVFCTR1	0	↑	1	-	1	1	0	0	1	0	0	1	(D9h)
parameter	1	1	↑	-	0	0	VMF_EN	ID2_EN	0	0	0	0	
Description	-EEPROM control status												
	Bit		Value										
	VMF_EN		"1" = Command C7h enable ; "0" = Command C7h disable										
ID2_EN		"1" = Command D1h enable ; "0" = Command D1h disable											
Default	Status		Default Value										
			D9h										
	Power On Sequence		00h										
	S/W Reset		00h										
	H/W Reset		00h										
Flow Chart	<pre> graph TD A[NVCTR (D9h)] --> B[1st Parameter] </pre> <p>Legend</p> <ul style="list-style-type: none"> Command Parameter Display Action Mode Sequential transfer 												

10.2.17 NVFCTR2 (DEh): EEPROM Read Command

DEH	NVFCTR1 (NV Memory Function Controller 2)												
Inst / Para	D/CX	WRX	RDX	D17-8	D7	D6	D5	D4	D3	D2	D1	D0	HEX
NVFCTR2	0	↑	1	-	1	1	0	1	1	1	1	0	(DEh)
parameter	1	↑	1		1	0	1	0	0	1	0	1	A5
Description	EEPROM Read Command NOTE: "-" Don't care												
Flow Chart	<div style="display: flex; align-items: center; justify-content: center;"> <div style="text-align: center; margin-right: 20px;"> <pre> graph TD A[NVCTR2] --> B[/1st Parameter : A5h/] </pre> </div> <div style="border: 1px dashed black; padding: 5px;"> <p>Legend</p> <ul style="list-style-type: none"> Command Parameter Display Action Mode Sequential transfer </div> </div>												

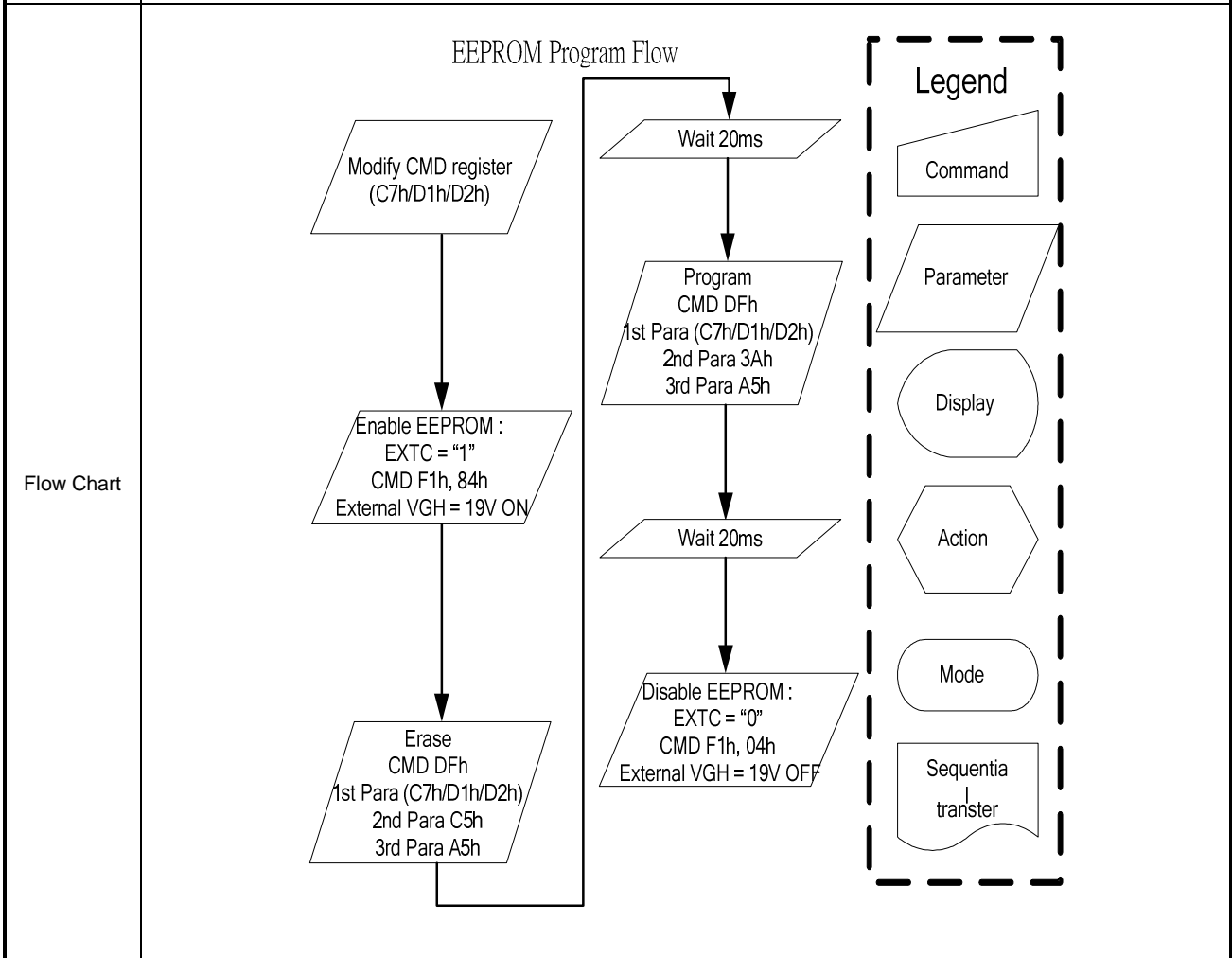
10.2.18 NVFCTR3 (DFh): EEPROM Write Command

DFH	NVFCTR1 (NV Memory Function Controller 3)												HEX
Inst / Para	D/CX	WRX	RDX	D17-8	D7	D6	D5	D4	D3	D2	D1	D0	
NVFCTR1	0	↑	1	-	1	1	0	1	1	1	1	1	(DFh)
1 st parameter	1	↑	1		EE_IB7	EE_IB6	EE_IB5	EE_IB4	EE_IB3	EE_IB2	EE_IB1	EE_IB0	
2 nd parameter	1	↑	1		EE_CM D7	EE_CM D6	EE_CM D5	EE_CM D4	EE_CM D3	EE_CM D2	EE_CM D1	EE_CM D0	
3 rd parameter	1	↑	1		1	0	1	0	0	1	0	1	A5

Description

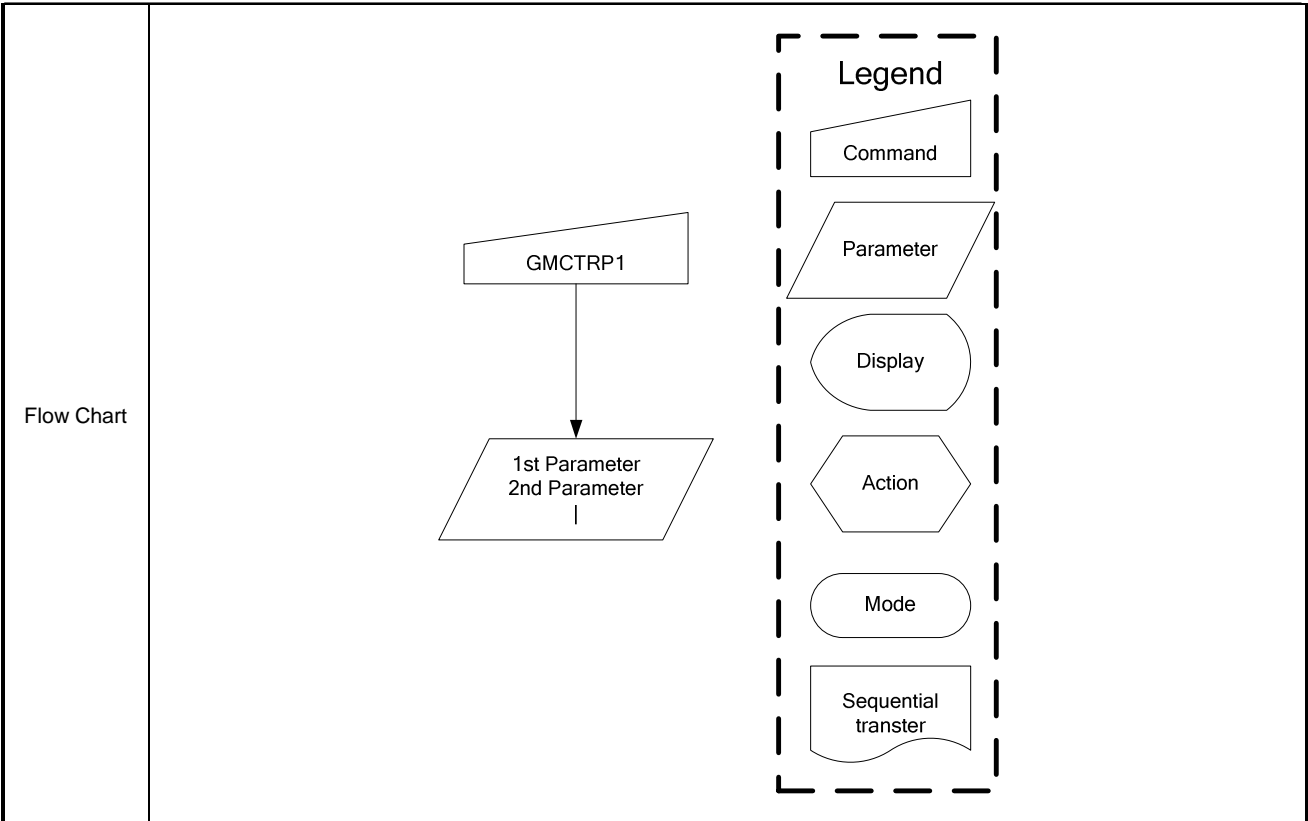
- EEPROM Write Command
- EE_IB[7:0] : Select Command. ; ADDR: C7h, D1h, D2h ; Select all: AAh
- EE_CMD[7:0] : Select to Program/Erase ; Program command : 3Ah ; Erase command : C5h

NOTE: "-" Don't care



10.2.19 GMCTRP1 (E0h): Gamma ('+'polarity) Correction Characteristics Setting

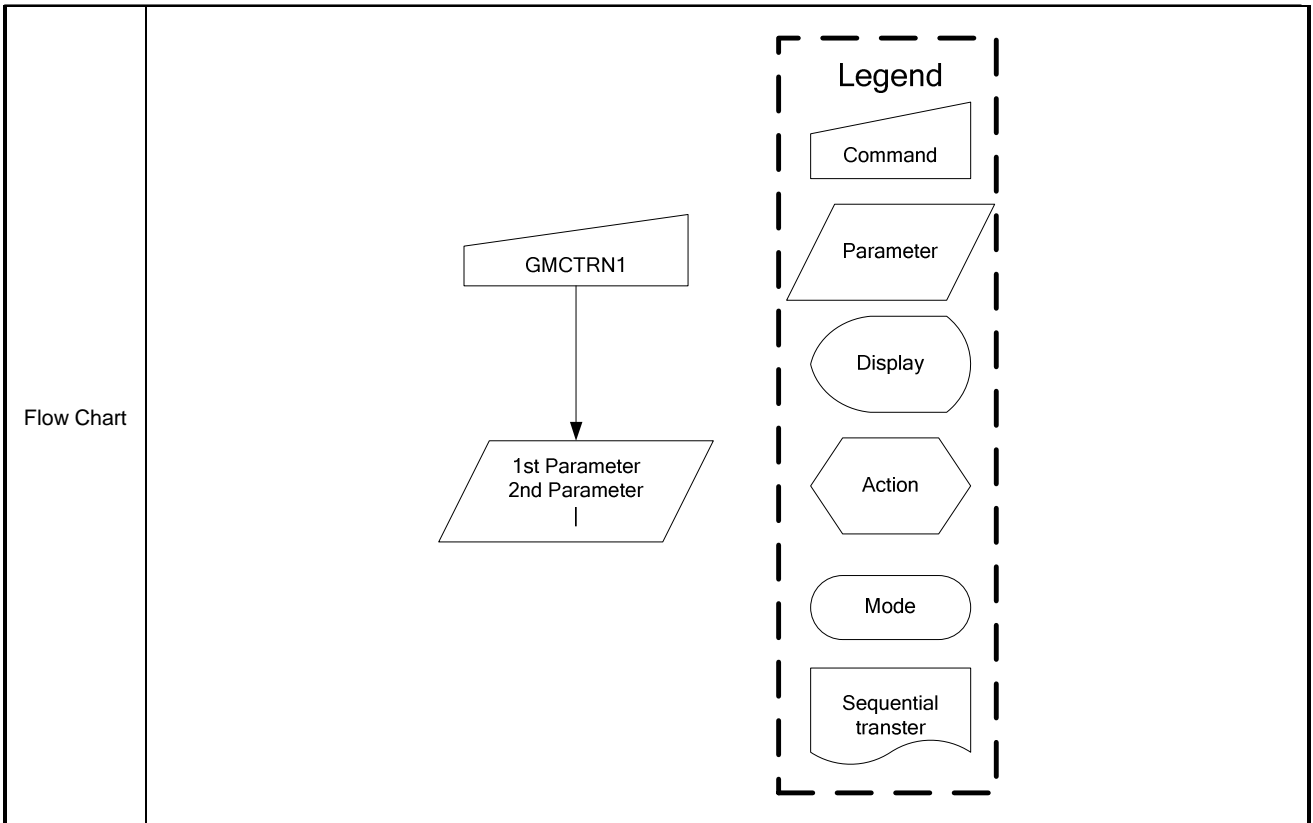
E0H	GMCTRP0 (Gamma '+'polarity Correction Characteristics Setting)												HEX
Inst / Para	D/CX	WRX	RDX	D17-8	D7	D6	D5	D4	D3	D2	D1	D0	HEX
GMCTRP1	0	↑	1	-	1	1	1	0	0	0	0	0	(E0h)
1 st parameter	1	↑	1	-	-	-	VRF0P[5]	VRF0P[4]	VF0P[3]	VRF0P[2]	VRF0P[1]	VRF0P[0]	
2 nd parameter	1	↑	1	-	-	-	VOS0P[5]	VOS0P[4]	VOS0P[3]	VOS0P[2]	VOS0P[1]	VOS0P[0]	
3 rd parameter	1	↑	1	-	-	-	PK0P[5]	PK0P[4]	PK0P[3]	PK0P[2]	PK0P[1]	PK0P[0]	
4 th parameter	1	↑	1	-	-	-	PK1P[5]	PK1P[4]	PK1P[3]	PK1P[2]	PK1P[1]	PK1P[0]	
5 th parameter	1	↑	1	-	-	-	PK2P[5]	PK2P[4]	PK2P[3]	PK2P[2]	PK2P[1]	PK2P[0]	
6 th parameter	1	↑	1	-	-	-	PK3P[5]	PK3P[4]	PK3P[3]	PK3P[2]	PK3P[1]	PK3P[0]	
7 th parameter	1	↑	1	-	-	-	PK4P[5]	PK4P[4]	PK4P[3]	PK4P[2]	PK4P[1]	PK4P[0]	
8 th parameter	1	↑	1	-	-	-	PK5P[5]	PK5P[4]	PK5P[3]	PK5P[2]	PK5P[1]	PK5P[0]	
9 th parameter	1	↑	1	-	-	-	PK6P[5]	PK6P[4]	PK6P[3]	PK6P[2]	PK6P[1]	PK6P[0]	
10 th parameter	1	↑	1	-	-	-	PK7P[5]	PK7P[4]	PK7P[3]	PK7P[2]	PK7P[1]	PK7P[0]	
11 th parameter	1	↑	1	-	-	-	PK8P[5]	PK8P[4]	PK8P[3]	PK8P[2]	PK8P[1]	PK8P[0]	
12 th parameter	1	↑	1	-	-	-	PK9P[5]	PK9P[4]	PK9P[3]	PK9P[2]	PK9P[1]	PK9P[0]	
13 th parameter	1	↑	1	-	-	-	SELV0P[5]	SELV0P[4]	SELV0P[3]	SELV0P[2]	SELV0P[1]	SELV0P[0]	
14 th parameter	1	↑	1	-	-	-	SELV1P[5]	SELV1P[4]	SELV1P[3]	SELV1P[2]	SELV1P[1]	SELV1P[0]	
15 th parameter	1	↑	1	-	-	-	SELV62P[5]	SELV62P[4]	SELV62P[3]	SELV62P[2]	SELV62P[1]	SELV62P[0]	
16 th parameter	1	↑	1	-	-	-	SELV63P[5]	SELV63P[4]	SELV63P[3]	SELV63P[2]	SELV63P[1]	SELV63P[0]	
Description	Register Group		Positive Polarity				Set-up Contents						
	High level adjustment		VRF0P[5:0]				Variable resistor VRHP						
	Mid level adjustment		SELV0P[5:0]				The voltage of V0 grayscale is selected by the 64 to 1 selector						
			SELV1P[5:0]				The voltage of V1 grayscale is selected by the 64 to 1 selector						
			PK0P[5:0]				The voltage of V3 grayscale is selected by the 64 to 1 selector						
			PK1P[5:0]				The voltage of V6 grayscale is selected by the 64 to 1 selector						
			PK2P[5:0]				The voltage of V11 grayscale is selected by the 64 to 1 selector						
			PK3P[5:0]				The voltage of V19 grayscale is selected by the 64 to 1 selector						
			PK4P[5:0]				The voltage of V27 grayscale is selected by the 64 to 1 selector						
			PK5P[5:0]				The voltage of V36 grayscale is selected by the 64 to 1 selector						
			PK6P[5:0]				The voltage of V44 grayscale is selected by the 64 to 1 selector						
			PK7P[5:0]				The voltage of V52 grayscale is selected by the 64 to 1 selector						
			PK8P[5:0]				The voltage of V57 grayscale is selected by the 64 to 1 selector						
			PK9P[5:0]				The voltage of V60 grayscale is selected by the 64 to 1 selector						
			Low level adjustment		VOS0P[5:0]				Variable resistor VRLP				



10.2.20 GMCTRN1 (E1h): Gamma '-' polarity Correction Characteristics Setting

E1H	GMCTRP0 (Gamma '+' polarity Correction Characteristics Setting)												
Inst / Para	D/CX	WRX	RDX	D17-8	D7	D6	D5	D4	D3	D2	D1	D0	HEX
GMCTRP1	0	↑	1	-	1	1	1	0	0	0	0	1	(E1h)
1 st parameter	1	↑	1	-	-	-	VRF0N[5]	VRF0N[4]	VF0N[3]	VRF0N[2]	VRF0N[1]	VRF0N[0]	
2 nd parameter	1	↑	1	-	-	-	VOS0N[5]	VOS0N[4]	VOS0N[3]	VOS0N[2]	VOS0N[1]	VOS0N[0]	
3 rd parameter	1	↑	1	-	-	-	PK0N[5]	PK0N[4]	PK0N[3]	PK0N[2]	PK0N[1]	PK0N[0]	
4 th parameter	1	↑	1	-	-	-	PK1N[5]	PK1N[4]	PK1N[3]	PK1N[2]	PK1N[1]	PK1N[0]	
5 th parameter	1	↑	1	-	-	-	PK2N[5]	PK2N[4]	PK2N[3]	PK2N[2]	PK2N[1]	PK2N[0]	
6 th parameter	1	↑	1	-	-	-	PK3N[5]	PK3N[4]	PK3N[3]	PK3N[2]	PK3N[1]	PK3N[0]	
7 th parameter	1	↑	1	-	-	-	PK4N[5]	PK4N[4]	PK4N[3]	PK4N[2]	PK4N[1]	PK4N[0]	
8 th parameter	1	↑	1	-	-	-	PK5N[5]	PK5N[4]	PK5N[3]	PK5N[2]	PK5N[1]	PK5N[0]	
9 th parameter	1	↑	1	-	-	-	PK6N[5]	PK6N[4]	PK6N[3]	PK6N[2]	PK6N[1]	PK6N[0]	
10 th parameter	1	↑	1	-	-	-	PK7N[5]	PK7N[4]	PK7N[3]	PK7N[2]	PK7N[1]	PK7N[0]	
11 th parameter	1	↑	1	-	-	-	PK8N[5]	PK8N[4]	PK8N[3]	PK8N[2]	PK8N[1]	PK8N[0]	
12 th parameter	1	↑	1	-	-	-	PK9N[5]	PK9N[4]	PK9N[3]	PK9N[2]	PK9N[1]	PK9N[0]	
13 th parameter	1	↑	1	-	-	-	SELV0N[5]	SELV0N[4]	SELV0N[3]	SELV0N[2]	SELV0N[1]	SELV0N[0]	
14 th parameter	1	↑	1	-	-	-	SELV1N[5]	SELV1N[4]	SELV1N[3]	SELV1N[2]	SELV1N[1]	SELV1N[0]	
15 th parameter	1	↑	1	-	-	-	SELV62N[5]	SELV62N[4]	SELV62N[3]	SELV62N[2]	SELV62N[1]	SELV62N[0]	
16 th parameter	1	↑	1	-	-	-	SELV63N[5]	SELV63N[4]	SELV63N[3]	SELV63N[2]	SELV63N[1]	SELV63N[0]	

Register Group	Negative Polarity	Set-up Contents
High level adjustment	VRF0N[5:0]	Variable resistor VRHN
Mid level adjustment	SELV0N[5:0]	The voltage of V0 grayscale is selected by the 64 to 1 selector
	SELV1N[5:0]	The voltage of V1 grayscale is selected by the 64 to 1 selector
	PK0N[5:0]	The voltage of V3 grayscale is selected by the 64 to 1 selector
	PK1N[5:0]	The voltage of V6 grayscale is selected by the 64 to 1 selector
	PK2N[5:0]	The voltage of V11 grayscale is selected by the 64 to 1 selector
	PK3N[5:0]	The voltage of V19 grayscale is selected by the 64 to 1 selector
	PK4N[5:0]	The voltage of V27 grayscale is selected by the 64 to 1 selector
	PK5N[5:0]	The voltage of V36 grayscale is selected by the 64 to 1 selector
	PK6N[5:0]	The voltage of V44 grayscale is selected by the 64 to 1 selector
	PK7N[5:0]	The voltage of V52 grayscale is selected by the 64 to 1 selector
	PK8N[5:0]	The voltage of V57 grayscale is selected by the 64 to 1 selector
	PK9N[5:0]	The voltage of V60 grayscale is selected by the 64 to 1 selector
	SELV62N[5:0]	The voltage of V62 grayscale is selected by the 64 to 1 selector
SELV63N[5:0]	The voltage of V63 grayscale is selected by the 64 to 1 selector	
Low level adjustment	VOS0N[5:0]	Variable resistor VRLN

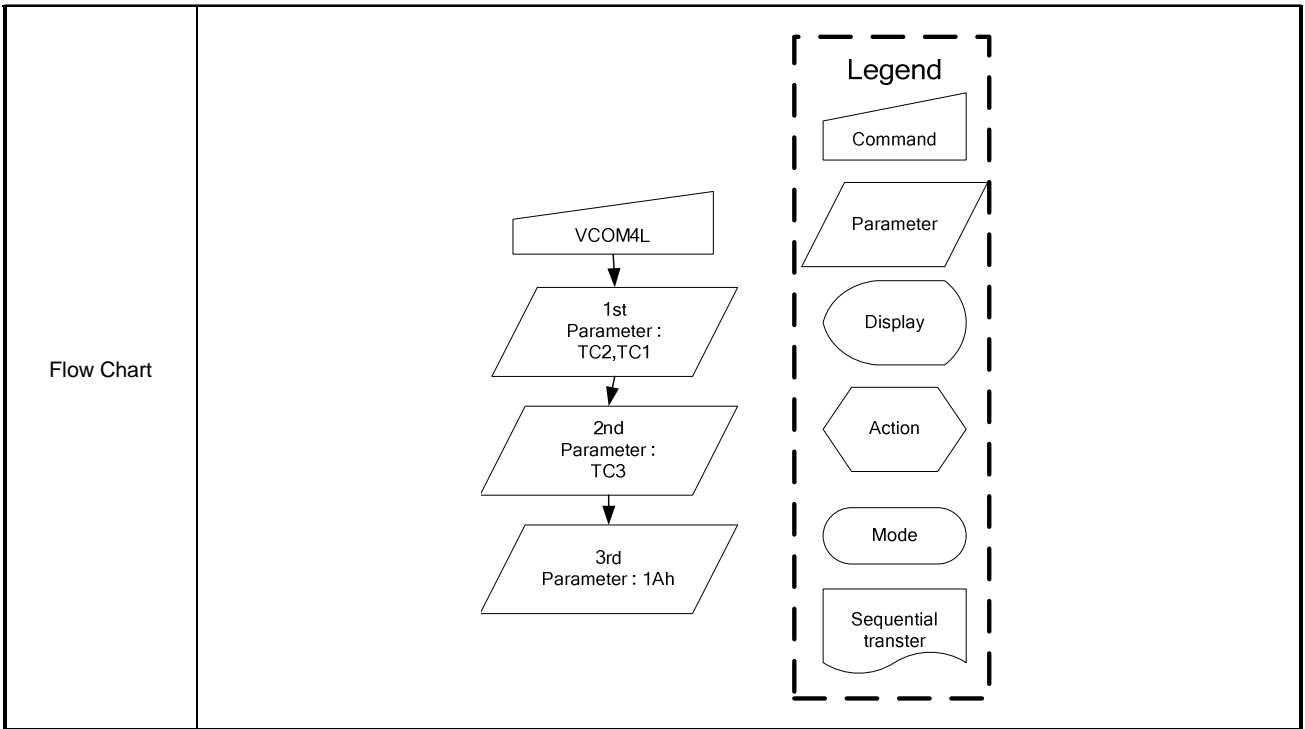


10.2.21 EXTCTRL (F0h): Extension Command Control

F0H	EXTCTRL (Extension command control)												
Inst / Para	D/CX	WRX	RDX	D17-8	D7	D6	D5	D4	D3	D2	D1	D0	HEX
EXTCTRL	0	↑	1	-	1	1	1	1	0	0	0	0	(F0h)
parameter	1	↑	1		0	0	0	0	0	0	0	1	(01h)
Description	When EXTC PIN ="L", this command will enable extension command. NOTE: "-" Don't care												
Flow Chart	<pre> graph TD A[EXTCTRL] --> B[/1st Parameter : 01h/] </pre> <p>Legend</p> <ul style="list-style-type: none"> Command: Trapezoid Parameter: Parallelogram Display: Oval Action: Hexagon Mode: Rounded rectangle Sequential transfer: Wavy rectangle 												

10.2.22 VCOM4L (FFh): Vcom 4 Level Control

FFH	VCOM4L (Vcom 4 level control)												HEX
Inst / Para	D/CX	WRX	RDX	D17-8	D7	D6	D5	D4	D3	D2	D1	D0	HEX
VCOM4L	0	↑	1	-	1	1	1	1	0	0	0	0	(FFh)
Parameter1	1	↑	1	-	TC2[3]	TC2[2]	TC2[1]	TC2[0]	TC1[3]	TC1[2]	TC1[1]	TC1[0]	
Parameter2	1	↑	1	-	-	-	-	-	TC3[3]	TC3[2]	TC3[1]	TC3[0]	
Parameter3	1	↑	1	-	0	0	0	1	1	0	1	0	(1Ah)
Description	TC1[3:0]		Delay time	TC2[3:0]		Delay time	TC3[3:0]		Delay time				
	0000		0 clock	0000		0 clock	0000		0 clock				
	0001		1 clock	0001		1 clock	0001		1 clock				
	0010		2 clock	0010		2 clock	0010		2 clock				
	0011		3 clock	0011		3 clock	0011		3 clock				
	0100		4 clock	0100		4 clock	0100		4 clock				
	0101		5 clock	0101		5 clock	0101		5 clock				
	0110		6 clock	0110		6 clock	0110		6 clock				
	0111		7 clock	0111		7 clock	0111		7 clock				
	1000		8 clock	1000		8 clock	1000		8 clock				
	1001		9 clock	1001		9 clock	1001		9 clock				
	1010		10 clock	1010		10 clock	1010		10 clock				
	1011		11 clock	1011		11 clock	1011		11 clock				
	1100		12 clock	1100		12 clock	1100		12 clock				
	1101		13 clock	1101		13 clock	1101		13 clock				
	1110		14 clock	1110		14 clock	1110		14 clock				
	1111		15 clock	1111		15 clock	1111		15 clock				
NOTE: "-" Don't care													



11 Power structure

11.1 Driver IC Operating Voltage Specification

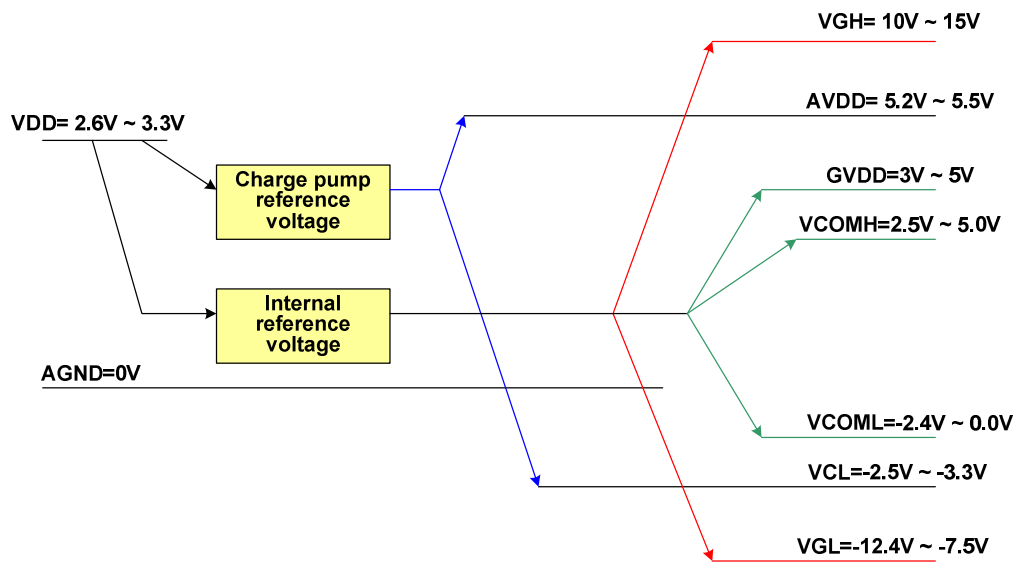
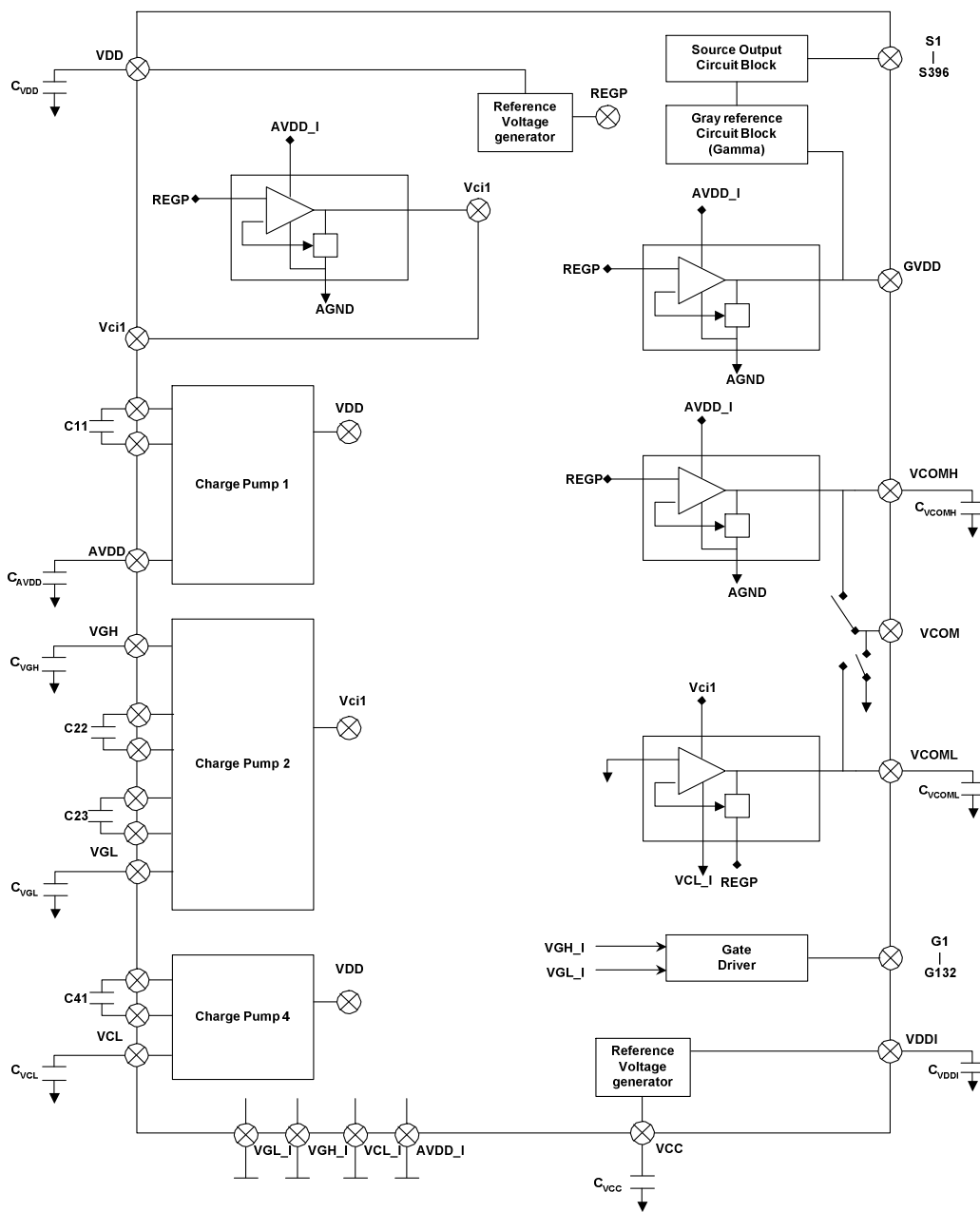


Fig 11.1.1 Power Booster Level

11.2 Power Booster Circuit

11.2.1 Power Booster Circuit



11.2.2 EXTERNAL COMPONENTS CONNECTION

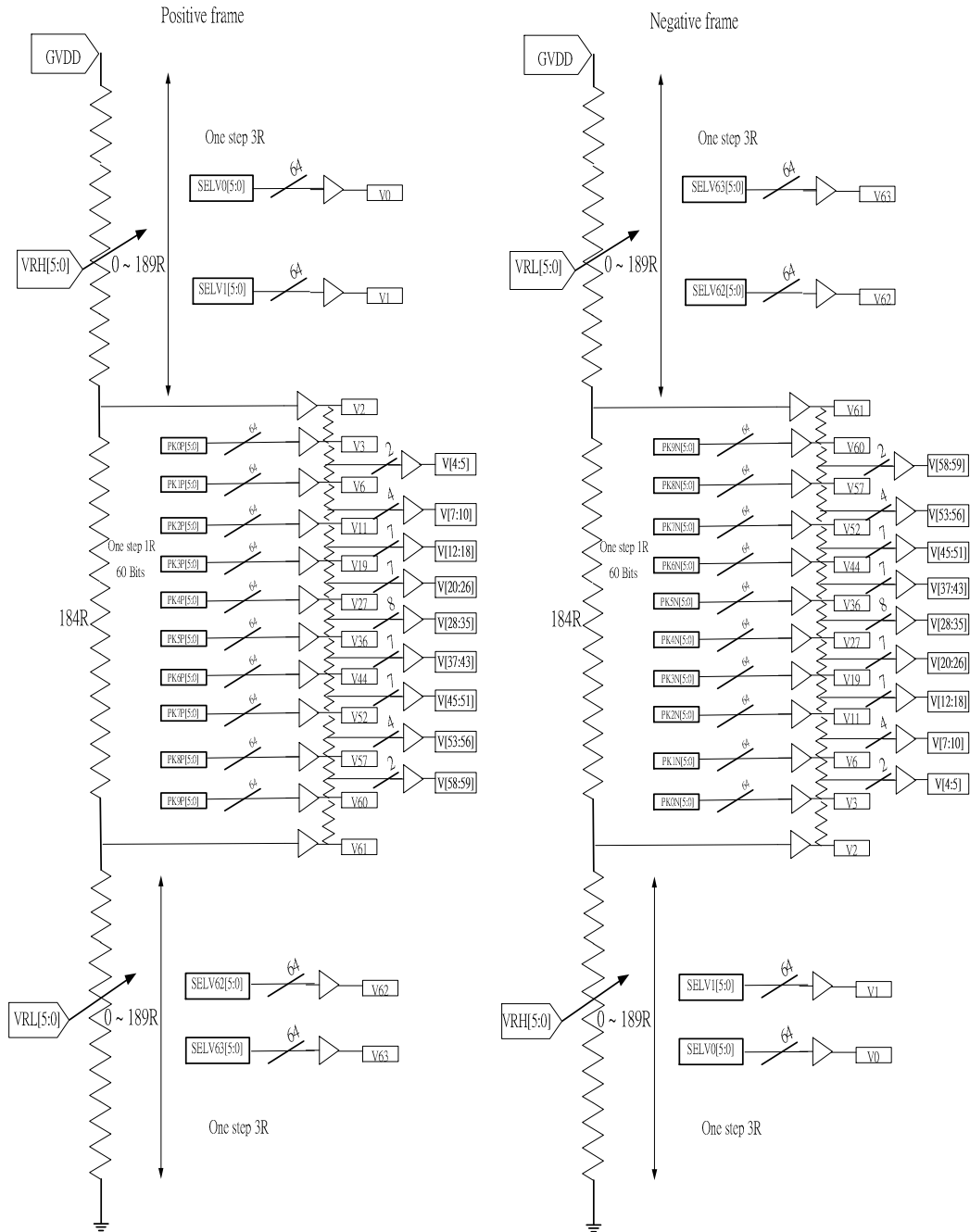
Pad Name	Connection	Rated (Min) Voltage	Typical capacitance value
VDDI	VDDI (Logic Power)	6.3V	1.0 uF
VDD	VDD (Analog Power)	6.3V	1.0 uF
VCC	Connect to Capacitor: VCC ----- ----- GND	6.3V	1.0 uF
C41P, C41N	Connect to Capacitor: C41P ----- -----C41N	6.3V	1.0 uF
C22P, C22N	Connect to Capacitor: C22P ----- -----C22N	25.0V; 16.0V*	0.1 uF
C23P, C23N	Connect to Capacitor: C23P ----- -----C23N	25.0V; 16.0V*	0.1 uF
C11P, C11N	Connect to Capacitor: C11P ----- -----C11N	6.3V	1.0 uF
AVDD	Connect to Capacitor: AVDD ----- ----- GND	6.3V	1.0 uF
VGH	Connect to Capacitor: VGH ----- ----- GND	25.0V; 16.0V*	0.1 uF
VGL	Connect to Capacitor: VGL ----- ----- GND	25.0V; 16.0V*	0.1 uF
VCL	Connect to Capacitor: VCL ----- ----- GND	6.3V	1.0 uF
VCOMH	Connect to Capacitor: VCOMH----- ----- GND	6.3V	1.0 uF
VCOML	Connect to Capacitor: VCOML ----- ----- GND	6.3V	1.0 uF

Note: For the typical specification of capacitor, the surge voltage is 125% of rated voltage. The capacitor of rated voltage of 16V can be only used for the case of VGH < 12.8V and VGL > -12.8V to prevent from stability issue. For normal usage, please use the capacitor of 25V rating.

12 Gamma structure

12.1 STRUCTURE OF GRAYSCALE AMPLIFIER

The structure of grayscale amplifier is shown as below. 16 voltage levels (VIN0-VIN15) between GVDD and VGS are determined by the high/ mid/ low level adjustment registers. Each mid-adjustment level is split into 64 levels again by the internal ladder resistor network. As a result, grayscale amplifier generates 64 voltage levels ranging from V0 to V63 and outputs one of 64 levels.



12.2 Gamma Voltage Formula (Positive/ Negative Polarity)

Gray Level	Voltage Formula (Positive)	Voltage Formula (Negative)
0	VINP0	VINN0
1	VINP1	VINN1
2	VINP2	VINN2
3	VINP3	VINN3
4	$V3-(V3-V6)*(11/30)$	$V3-(V3-V6)*(11/30)$
5	$V3-(V3-V6)*(21/30)$	$V3-(V3-V6)*(21/30)$
6	VINP4	VINN4
7	$V6-(V6-V11)*(7/30)$	$V6-(V6-V11)*(7/30)$
8	$V6-(V6-V11)*(14/30)$	$V6-(V6-V11)*(14/30)$
9	$V6-(V6-V11)*(20/30)$	$V6-(V6-V11)*(20/30)$
10	$V6-(V6-V11)*(25/30)$	$V6-(V6-V11)*(25/30)$
11	VINP5	VINN5
12	$V11-(V11-V19)*(4/32)$	$V11-(V11-V19)*(4/32)$
13	$V11-(V11-V19)*(8/32)$	$V11-(V11-V19)*(8/32)$
14	$V11-(V11-V19)*(12/32)$	$V11-(V11-V19)*(12/32)$
15	$V11-(V11-V19)*(16/32)$	$V11-(V11-V19)*(16/32)$
16	$V11-(V11-V19)*(20/32)$	$V11-(V11-V19)*(20/32)$
17	$V11-(V11-V19)*(24/32)$	$V11-(V11-V19)*(24/32)$
18	$V11-(V11-V19)*(28/32)$	$V11-(V11-V19)*(28/32)$
19	VINP6	VINN6
20	$V19-(V19-V27)*(4/32)$	$V19-(V19-V27)*(4/32)$
21	$V19-(V19-V27)*(8/32)$	$V19-(V19-V27)*(8/32)$
22	$V19-(V19-V27)*(12/32)$	$V19-(V19-V27)*(12/32)$
23	$V19-(V19-V27)*(16/32)$	$V19-(V19-V27)*(16/32)$
24	$V19-(V19-V27)*(20/32)$	$V19-(V19-V27)*(20/32)$
25	$V19-(V19-V27)*(24/32)$	$V19-(V19-V27)*(24/32)$
26	$V19-(V19-V27)*(28/32)$	$V19-(V19-V27)*(28/32)$
27	VINP7	VINN7
28	$V27-(V27-V36)*(4/36)$	$V27-(V27-V36)*(4/36)$
29	$V27-(V27-V36)*(8/36)$	$V27-(V27-V36)*(8/36)$
30	$V27-(V27-V36)*(12/36)$	$V27-(V27-V36)*(12/36)$
31	$V27-(V27-V36)*(16/36)$	$V27-(V27-V36)*(16/36)$
32	$V27-(V27-V36)*(20/36)$	$V27-(V27-V36)*(20/36)$
33	$V27-(V27-V36)*(24/36)$	$V27-(V27-V36)*(24/36)$
34	$V27-(V27-V36)*(28/36)$	$V27-(V27-V36)*(28/36)$
35	$V27-(V27-V36)*(32/36)$	$V27-(V27-V36)*(32/36)$
36	VINP8	VINN8
37	$V36-(V36-V44)*(4/32)$	$V36-(V36-V44)*(4/32)$
38	$V36-(V36-V44)*(8/32)$	$V36-(V36-V44)*(8/32)$
39	$V36-(V36-V44)*(12/32)$	$V36-(V36-V44)*(12/32)$

ST7715

40	V36-(V36-V44)*(16/32)	V36-(V36-V44)*(16/32)
41	V36-(V36-V44)*(20/32)	V36-(V36-V44)*(20/32)
42	V36-(V36-V44)*(24/32)	V36-(V36-V44)*(24/32)
43	V36-(V36-V44)*(28/32)	V36-(V36-V44)*(28/32)
44	VINP9	VINN9
45	V44-(V44-V52)*(4/32)	V44-(V44-V52)*(4/32)
46	V44-(V44-V52)*(8/32)	V44-(V44-V52)*(8/32)
47	V44-(V44-V52)*(12/32)	V44-(V44-V52)*(12/32)
48	V44-(V44-V52)*(16/32)	V44-(V44-V52)*(16/32)
49	V44-(V44-V52)*(20/32)	V44-(V44-V52)*(20/32)
50	V44-(V44-V52)*(24/32)	V44-(V44-V52)*(24/32)
51	V44-(V44-V52)*(28/32)	V44-(V44-V52)*(28/32)
52	VINP10	VINN10
53	V52-(V52-V57)*(5/30)	V52-(V52-V57)*(5/30)
54	V52-(V52-V57)*(11/30)	V52-(V52-V57)*(11/30)
55	V52-(V52-V57)*(17/30)	V52-(V52-V57)*(17/30)
56	V52-(V52-V57)*(23/30)	V52-(V52-V57)*(23/30)
57	VINP11	VINN11
58	V57-(V57-V60)*(8/30)	V57-(V57-V60)*(8/30)
59	V57-(V57-V60)*(18/30)	V57-(V57-V60)*(18/30)
60	VINP12	VINN12
61	VINP13	VINN13
62	VINP14	VINN14
63	VINP15	VINN15

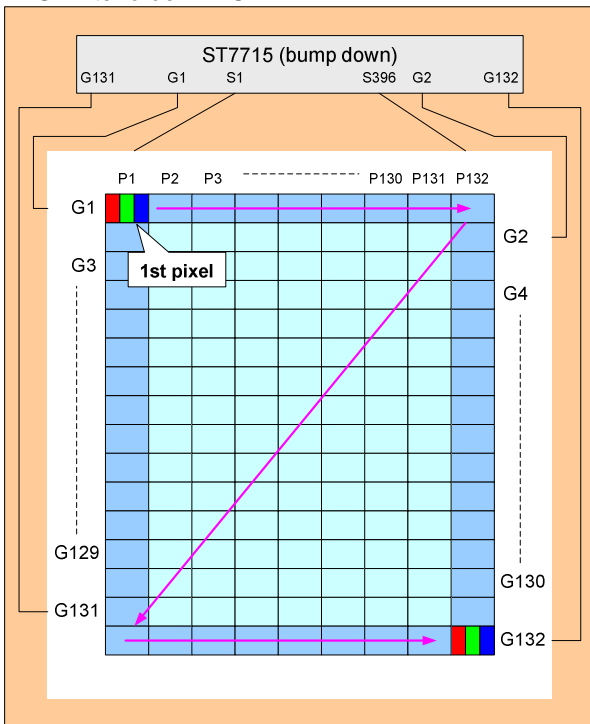
ST7715

13 Example Connection with Panel direction

13.1 Application of connection with panel direction

Case 1:

- 1st Pixel is at Left Top of the panel
- RGB filter order = RGB

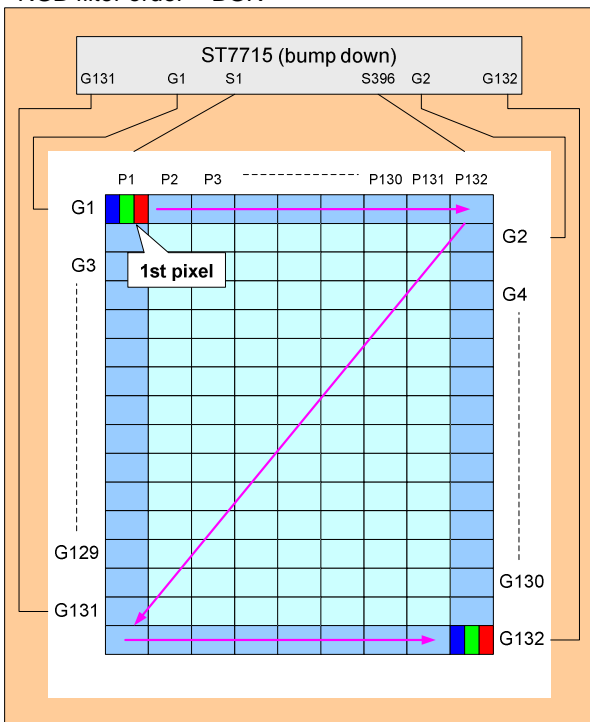


- Direction default setting (H/W)
- SMX = '0'
- SMY = '0'
- SRGB = '0'
- S1 = Filter R
- S2 = Filter G
- S3 = Filter B
- Display direction control (S/W)
- X-Mirror control by MX
- Y-Mirror control by MY
- XY-Exchange control by MV

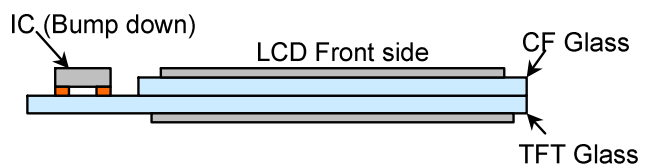


Case 2:

- 1st Pixel is at Left Top of the panel
- RGB filter order = BGR



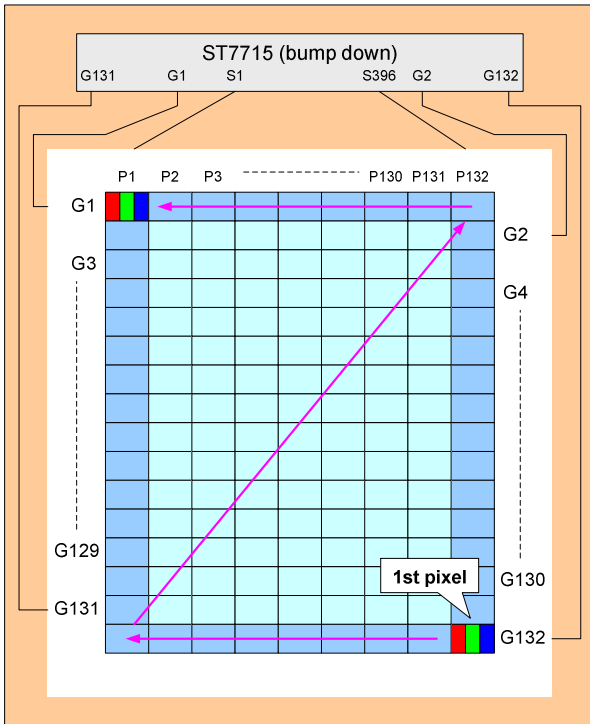
- Direction default setting (H/W)
- SMX = '0'
- SMY = '0'
- SRGB = '1'
- S1 = Filter B
- S2 = Filter G
- S3 = Filter R
- Display direction control (S/W)
- X-Mirror control by MX
- Y-Mirror control by MY
- XY-Exchange control by MV



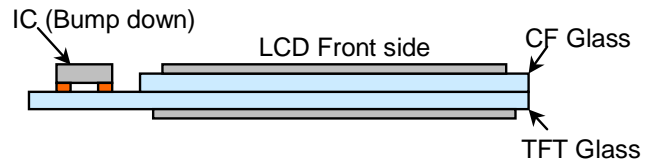
ST7715

Case 3:

- 1st Pixel is at Right Bottom of the panel
- RGB filter order = RGB

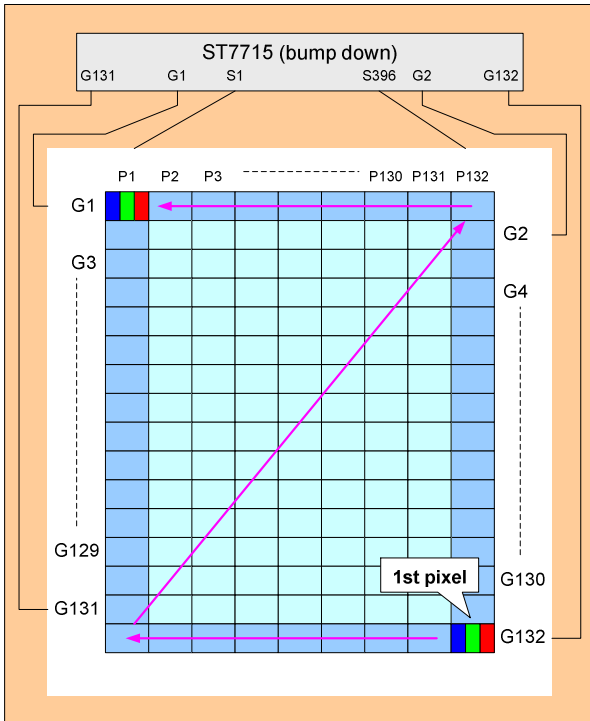


- Direction default setting (H/W)
- SMX = '1'
- SMY = '1'
- SRGB = '0'
- S1 = Filter R
- S2 = Filter G
- S3 = Filter B
- Display direction control (S/W)
- X-Mirror control by MX
- Y-Mirror control by MY
- XY-Exchange control by MV

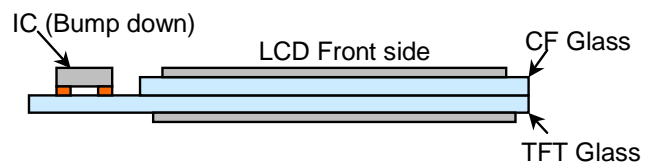


Case 4:

- 1st Pixel is at Right Bottom of the panel
- RGB filter order = BGR



- Direction default setting (H/W)
- SMX = '1'
- SMY = '1'
- SRGB = '1'
- S1 = Filter B
- S2 = Filter G
- S3 = Filter R
- Display direction control (S/W)
- X-Mirror control by MX
- Y-Mirror control by MY
- XY-Exchange control by MV

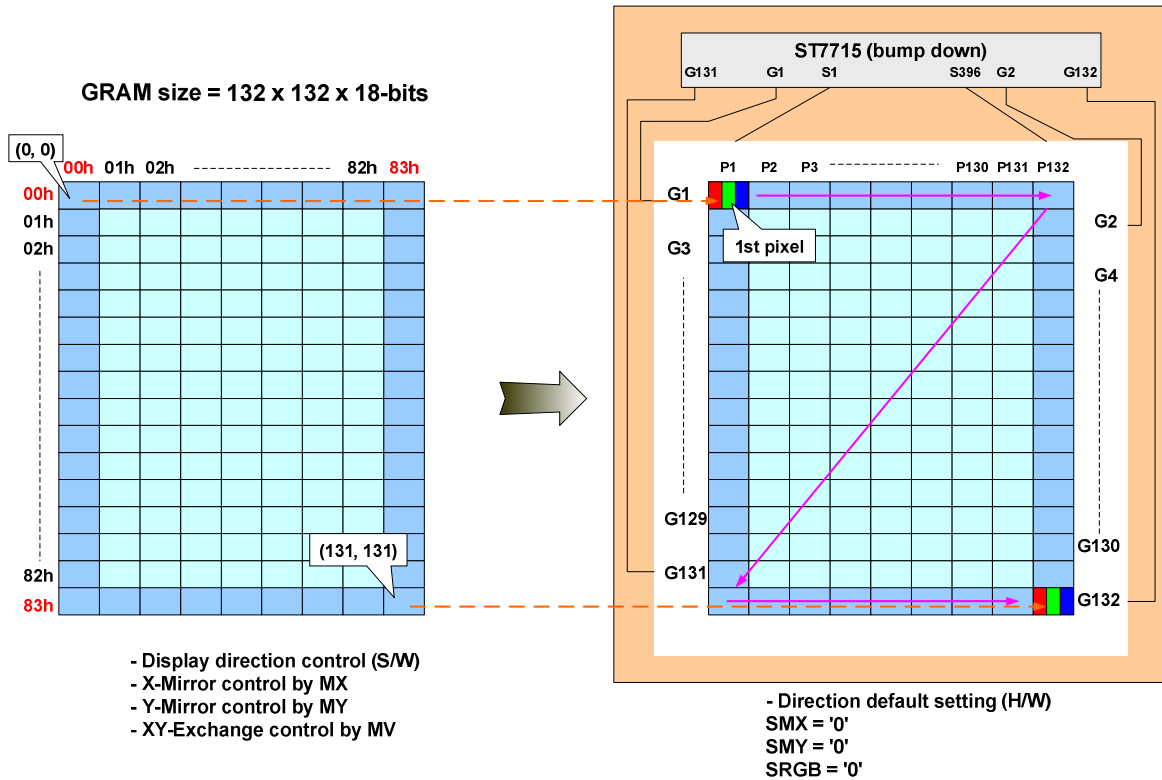


ST7715

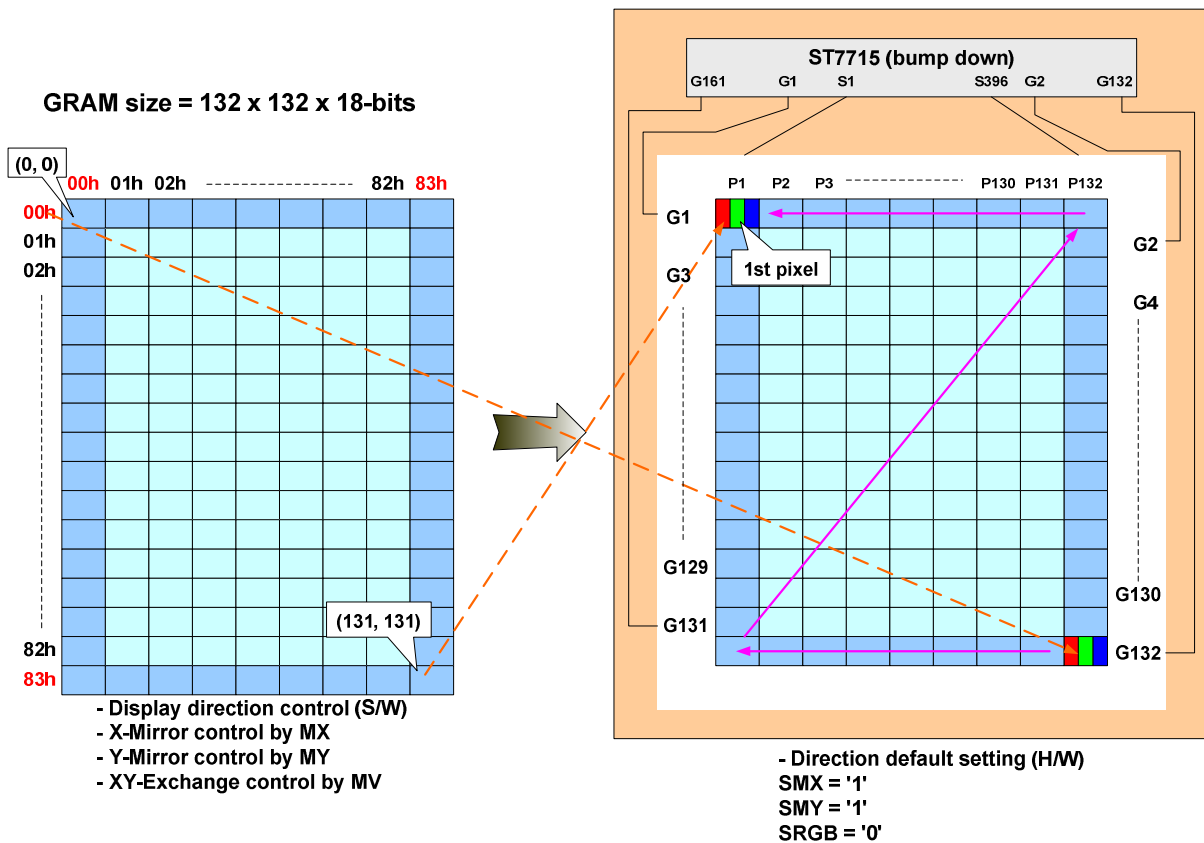
13.2 Application of connection with 132RGB x 132 Resolution (GM[2:0] = "001")

RAM size=132 x 132 x 18-bit
 Display size = 132RGB x 132

1). Example for SMX=SMY='0'



2). Example for SMX=SMY='1'



13.3 MicroProcessor Interface applications

8080-Series MCU + SPI Interface (IM2='1')

13.3.1 8080-Series MCU Interface for 8-bit data bus (IM1, IM0="00")

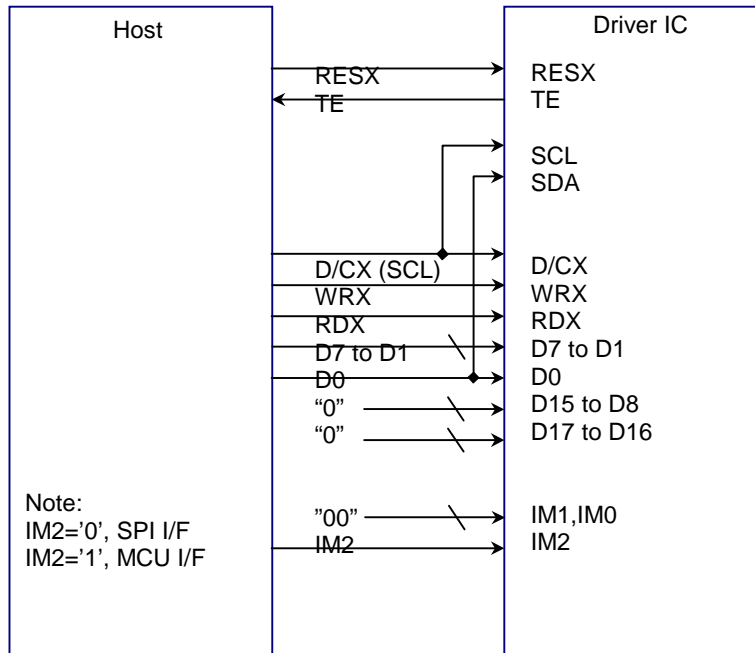


Fig 13.3.1 8080 Series MCU Interface for 8-bit data bus

13.3.2 8080-Series MCU Interface for 16-bit data bus (IM1, IM0="01")

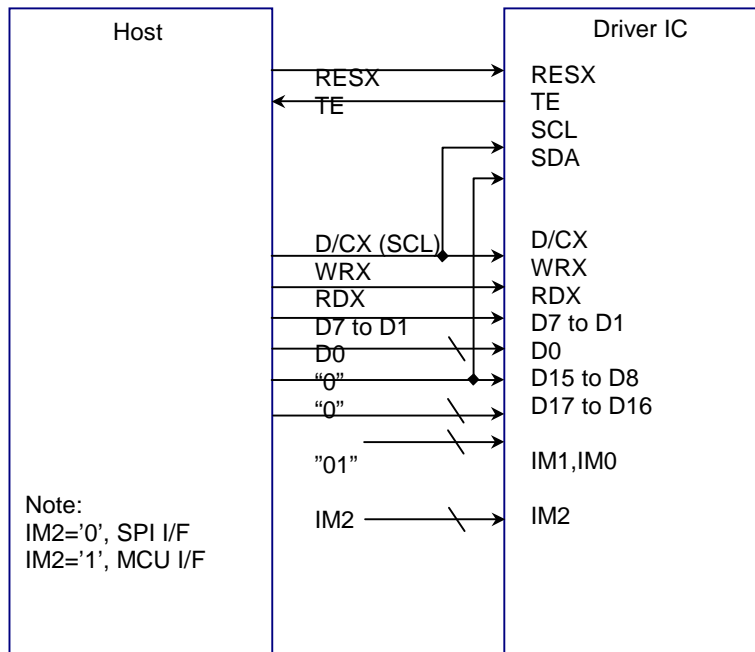


Fig 13.3.2 8080 Series MCU Interface for 16-bit data bus

13.3.3 8080-Series MCU Interface for 9-bit data bus (IM1, IM0="10")

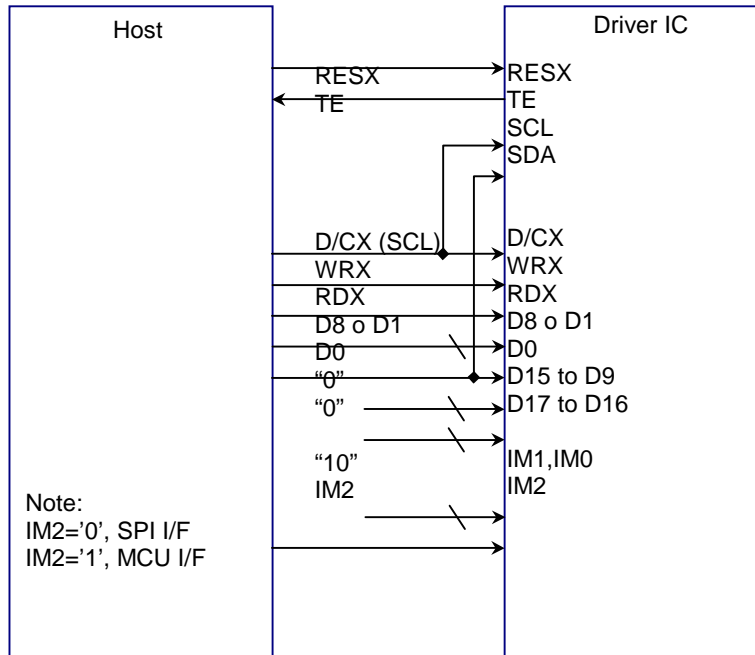


Fig 13.3.3 8080 Series MCU Interface for 9-bit data bus

13.3.4 8080-Series MCU Interface for 18-bit data bus (IM1, IM0="11")

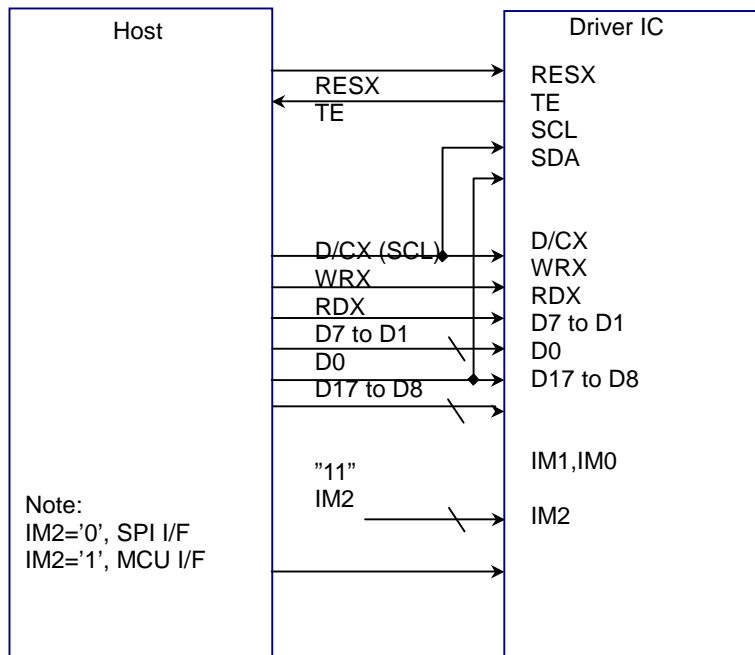


Fig. 13.3.4 8080 Series MCU Interface for 18-bit data bus

14 Revision History

ST7715 Specification Revision History		
Version	Date	Description
1.0	2008/11/27	First issue.
1.1	2009/01/05	Modify features description (P1) Modify TESEL description (P15) Modify address counter sections reference (P56) Modify reset table sections reference (P66) Modify DISPOFF(28h) and DISPON(29h) command description (P96~97) Modify frame rate control (B1~B3h) description (P122~124) Modify ROM code default value (P122~145) Modify external components table, AVDD capacitance value change and schottky diode remove. (P157~158)
1.2	2009/03/09	Modify VCC maximum absolute operating voltage (P18) Modify power consumption condition (P20) Modify VMCTR1(C5h) command restriction (P139)
1.3	2009/8/5	Modify the parameter of command 0xDF.(P148)
1.4	2009/09/23	Modify EXTC description.(P14) Modify VCI1 description to Hi-Z.(P16)
1.5	2009/12/04	Modify DISSET5 (B6h) command (P126)